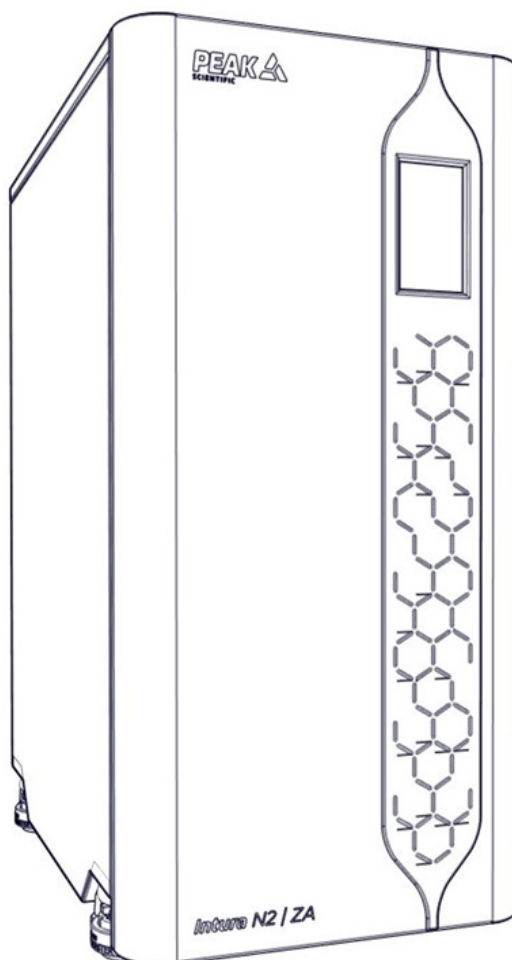


Intura N2|ZA (All Models)

Installation Guide



**Register product to operate at
www.peakscientific.com/activate**

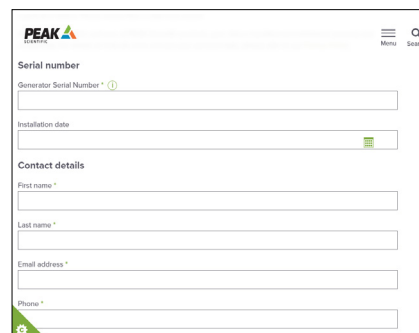


Register Product to Operate

To begin operation of your unit you will need to register your generator. You can do so by **visiting www.PEAKscientific.com/activate** or by **downloading the PEAK Gas App**.

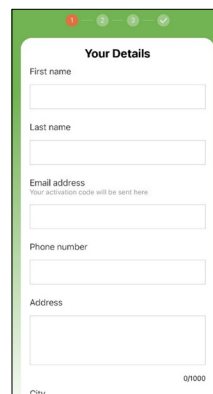


Registering will activate your **12-month warranty, extendable up to 5 years*** - covering every single component in your generator.



The screenshot shows a web registration form with the following fields:

- Serial number: Generator Serial Number * (with a help icon)
- Installation date
- Contact details: First name *, Last name *, Email address *, Phone *



The screenshot shows a mobile app registration form titled "Your Details" with the following fields:

- First name
- Last name
- Email address (with a note: "Your activation code will be sent here")
- Phone number
- Address
- City

Important!

You must register your generator before nitrogen generation can commence. In order to be eligible for warranty your generator must be registered to the end user (not a reseller or distributor)**.

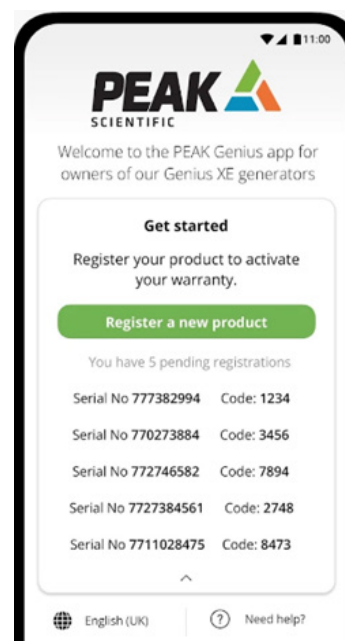
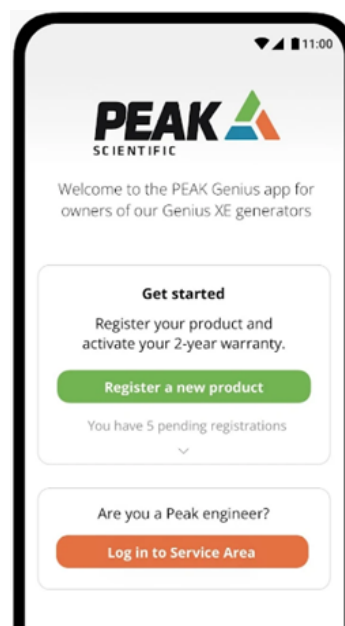
* Warranty extension available upon initial ordering of generator. For terms and conditions please visit www.peakscientific.com/warranty-statement/

** Call out and labour charges may apply where generator was not purchased directly from Peak

PEAK Gas App

This dedicated app for PEAK gas generators offers many benefits to ensure a seamless setup.

- Simple 3-step Warranty Activation and Product Registration
- 4-digit PIN generation for first-time product installation
- Service Technician Access
- Generate codes without a network connection which automatically complete when you are back online



Change History

Rev	Comment	Name	Date
1	Initial Release	L. Coultie	17 Jun 2026
2	Updated fittings kit contents to add Washer Bonded part and update to description of part 3306072 to add 1/8"	J. Murphy	05 Mar 2026
3			
4			

How to use this Manual

This installation guide is intended to be used as a step by step, quick start guide, to facilitate installation and configuration.

Please visit www.peakscientific.com/downloads to download the full User Manual for your gas generator.

Alternatively, scan the QR code below:






Thank you for selecting PEAK Scientific to meet your gas generation needs, and should you require any further assistance or support please do not hesitate to contact PEAK Scientific or the PEAK Partner from which you purchased your generator.

Safety Notices

PEAK Scientific Instruments cannot anticipate every possible circumstance which may represent a potential hazard. The warnings detailed within this manual refer to the most likely potential hazards, but by definition cannot be all inclusive. If the user employs an operating procedure, item of equipment or a method of working which is not specifically recommended by PEAK Scientific, the user must ensure that the equipment will not be damaged or become hazardous to persons or property.

Symbols

This manual uses the following symbols to highlight specific areas important to the safe and proper use of the generator.

 WARNING	A WARNING notice denotes a hazard. It calls attention to an operating procedure, process or similar, which if not correctly performed or adhered to, could cause personal injury or in the worst case death. Do not proceed beyond a WARNING notice until the indicated conditions are fully understood or met.
 CAUTION	A CAUTION notice denotes a hazard. It calls attention to an operating procedure, process or similar, which if not correctly performed or adhered to, could cause damage to the generator or the application. Do not proceed beyond a CAUTION notice until the indicated conditions are fully understood or met.
	Caution, risk of electric shock. Ensure power to the generator has been removed before proceeding.

Safety Notice to Users



These instructions must be read thoroughly and understood before installation and operation of your PEAK Generator. Use of the generator in a manner not specified by PEAK Scientific MAY impair the SAFETY provided by the equipment.



When handling, operating or carrying out any maintenance, personnel must employ safe engineering practices and observe all relevant local health and safety requirements and regulations. The attention of UK users is drawn to the Health and Safety at Work Act 1974, and the Institute of Electrical Engineers regulations.



If the equipment is used in a manner not specified by the manufacturer, the protection provided by the equipment maybe impaired.

Customer Responsibilities

To ensure a successful and timely installation of our Peak generator, please refer to this set of requirements. Correct site preparation is the first key step in ensuring that your generator and systems operate reliably over an extended period.

This section is an information guide and checklist that outlines the requirements for your site.

It is essential that your site meets the following specifications prior to the installation date:

- The necessary spatial requirements are met.
- The correct environment is provided for the generator.
- Electrical outlet locations and quantities are planned.
- Adequate exhaust ventilation is provided.
- The correct tubing lengths and diameters are used in relation to the distance from the instrument.
- Intura N2 generators not being supported by the Intura ZA generator must be supplied with compressed air meeting ISO8573-1:2010 Class 1.4.1 at the required inlet pressure.

Failure to meet the site requirements of your Peak generator as stated above and detailed in this document could result in the unit underperforming and **possible loss of warranty.**

Generator Environment

The generator is designed for indoor use only. If possible, the generator should be installed adjacent to the application(s) it is supplying. If the generator is located away from the application, consideration should be given to the lengths of supply tubing, to avoid pressure drops which can affect instrument performance. See “gas connections” section for guidance on tubing lengths greater than 3m.

Performance of the generator is affected by ambient conditions. Note should also be taken to the proximity of air conditioning outlets. These can sometimes give rise to “pockets” of air with high relative humidity. Operation of the generator within such a pocket could adversely affect its performance. Consideration should also be given to the air flow around the unit. An air gap of 75mm (3”) should be maintained down both sides and 25mm (1”) at the rear of the unit. Please refer to the drawings detailed in the previous section for the general dimensions of each of the respective units.

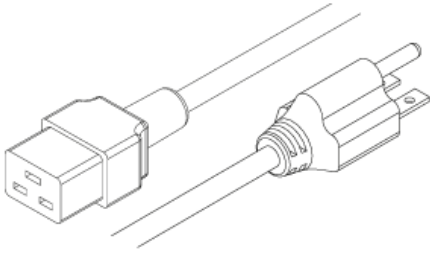
The generator should be positioned such that it can be easily disconnected from the mains supply if required by means of either connector or plug removal.

Minimum Operating Ambient Temperature: 5 °C (41 °F)

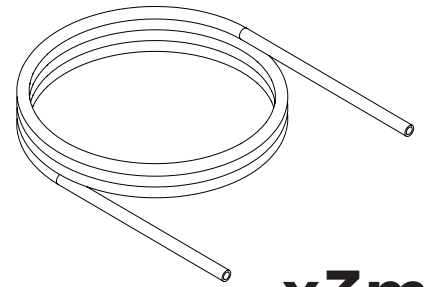
Maximum Operating Ambient Temperature: 30 °C (86 °F)

Please note that the generator’s function is primarily to remove Oxygen and Moisture from the generated Nitrogen and/or Zero Air. Depending on the model, hydrocarbon removal technology may be employed by the generator. In environments with high ambient concentrations of total hydrocarbons (THC), additional THC removal filtration may be required.

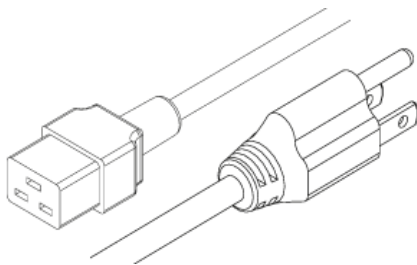
Fittings Kit



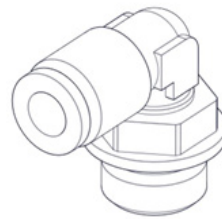
x1
US Mains Cable C13 6-15 04-1024



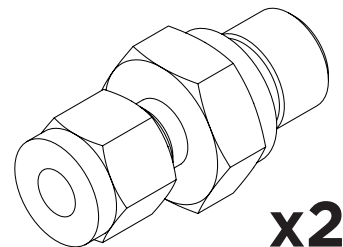
x3m
6mm Polyethylene Tubing
00-1282



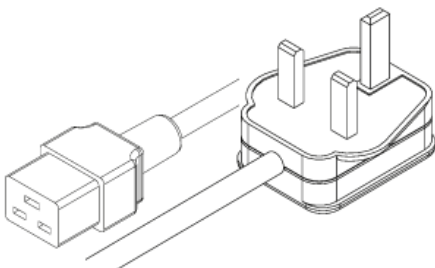
x1
US Mains Cable C13 5-15 04-1035



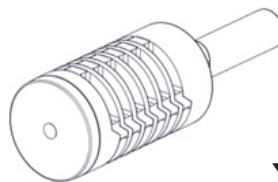
x1
6mm Push Fit Elbow
02-4703



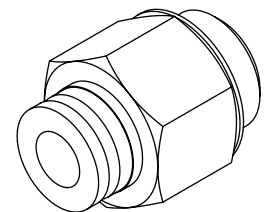
x2
1/4" x 1/8" Compression Fitting
3306072



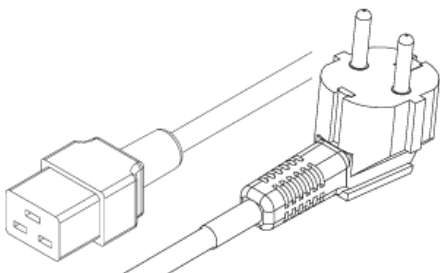
x1
UK Mains Cable C13 04-1025



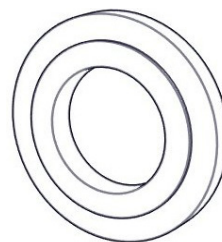
x1
6mm Push Fit Silencer
3302480



x1
6mm Push Fit Fitting
02-4600



x1
EU Mains Cable C13 04-1026

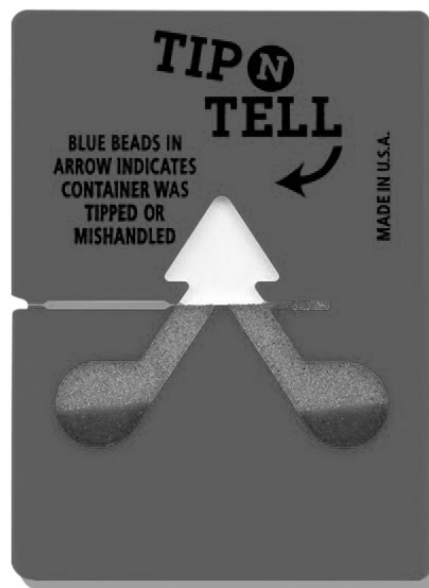


x1
Washer Bonded 1/4"
02-4370

Unpacking

Although PEAK Scientific takes every precaution with safe transit and packaging, it is advisable to fully inspect the unit for any sign of transit damage.

Check 'SHOCKWATCH' and 'TIP-N-TELL' labels for signs of rough handling prior to unpacking.



Any damage should be reported immediately to the carrier and PEAK Scientific or the PEAK Partner from where the unit was purchased.

Follow the unpacking instructions posted on the side of the crate.

Please save the product packaging for storage or future shipment of the generator.

Note: Included with the generator is a "Fittings Kit" containing mains power leads for UK, EU & US with all the required fittings and warranty registration card. Be careful not to discard these with the packaging.

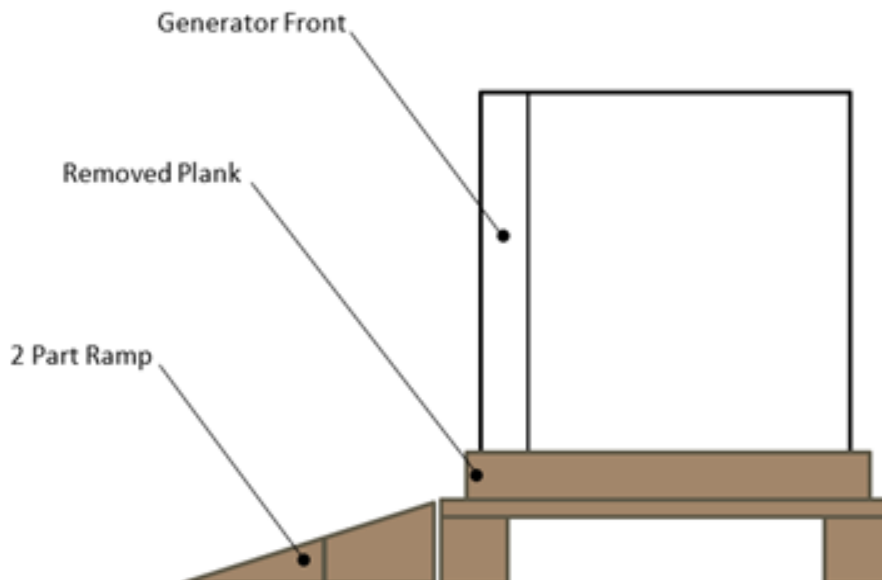
Unpacking Instructions



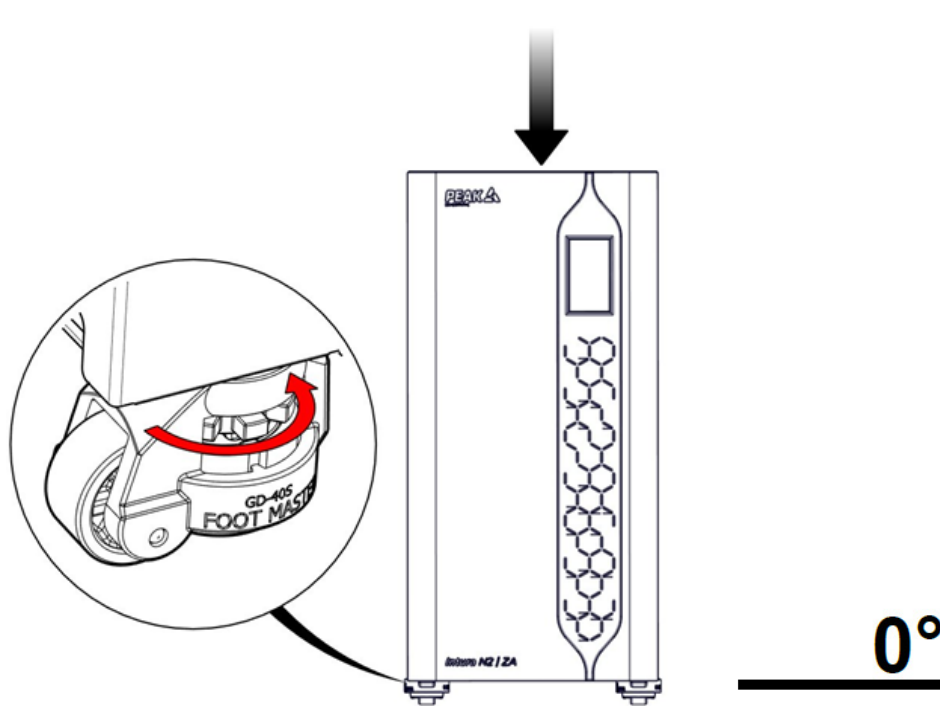
Always move the generator on its castor where possible. Always lock castor once positioned in the desired location. If lifting is necessary, note that the weight of the unit constitutes a two-man lift. Safe lifting practices are advised.

Unpack the Intura N2|ZA generator as follows:

1. Remove outer cardboard packaging to expose the generator.
2. Remove all documentation and fittings kit and place aside.
3. Remove all packaging from the outside of the unit.
4. Remove the 4 screws securing the softwood plank at the front of the generator using a crosshead screwdriver and remove the plank.
5. Assemble the 2-piece cardboard ramp and align it at the front on the generator.
6. Carefully push the generator down the ramp and to a flat surface in the desired location.
7. Rotate the castor wheel anticlockwise to bring the footpad down to lock the castor. Repeat on all four castors and adjust to ensure the generator is level.
8. Leave to acclimatise for 3 hours and refer to instructions for start-up procedure.



1.

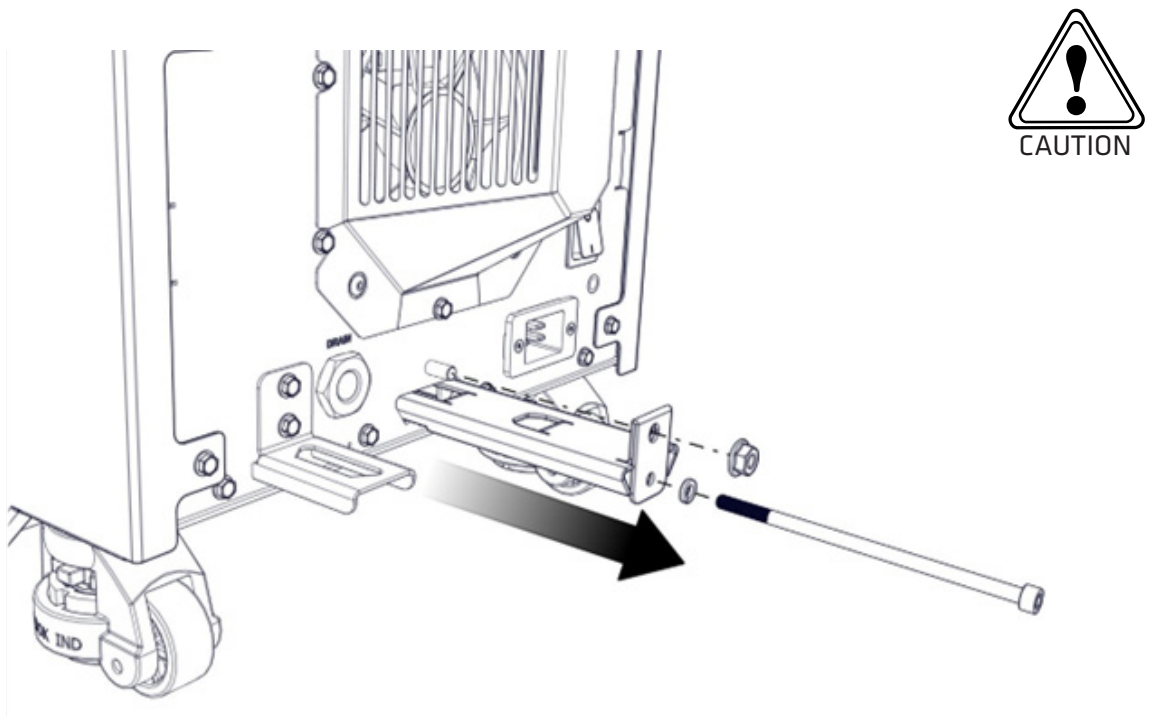


Unpack the generator from the shipping crate, referring to the unpacking instruction located on the outside of the box, and **position on a flat surface** in desired area.

The unit should be left to acclimatize for 3 hours.

WARNING the weight of the unit constitutes a two man lift. Safe lifting practices are advised.

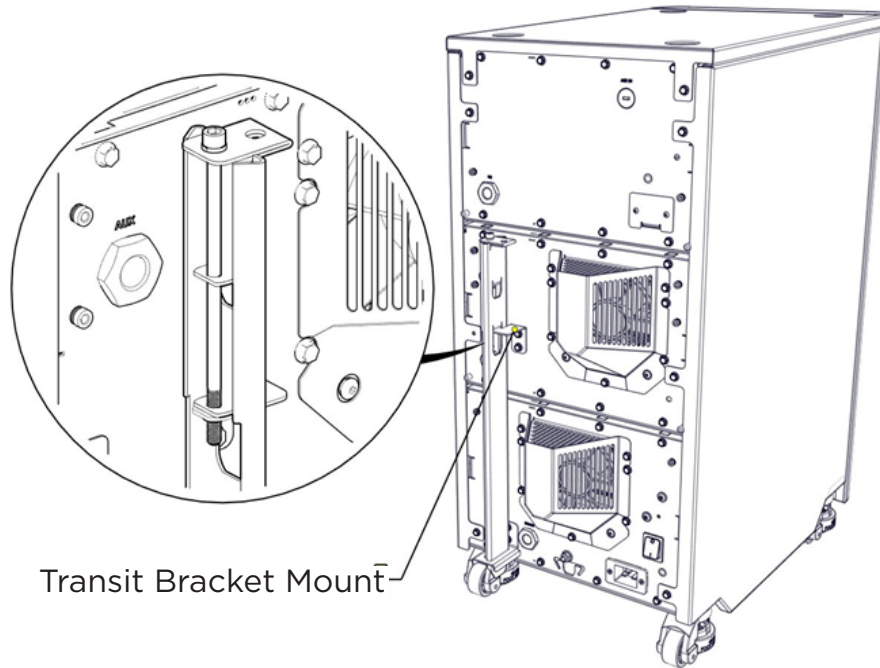
2.



Pull out the Transit Bracket by first removing the M6 nut using a spanner or nut runner then loosening M6 Cap Screw with an Allen key.

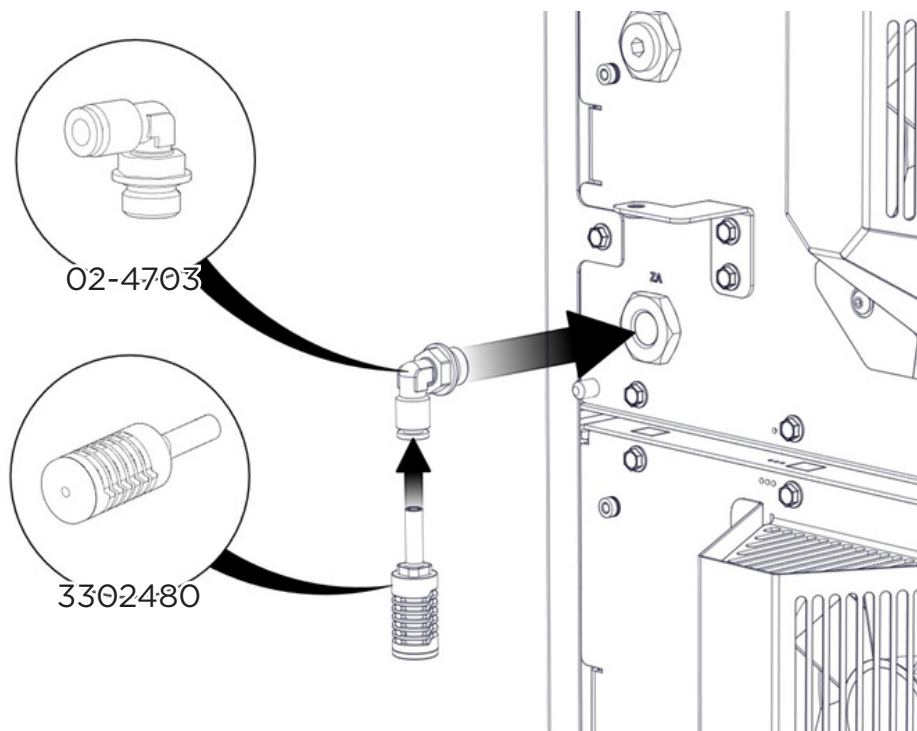
Failure to remove the transit bracket before operating this gas generator can cause irreparable damage to the internal air compressor!

3.



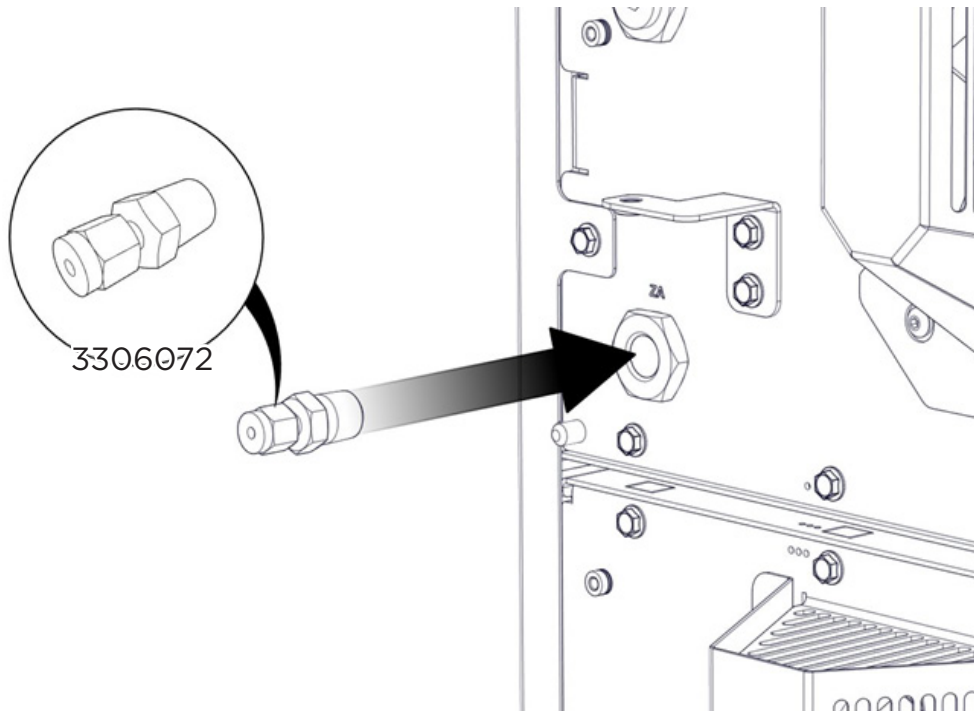
Secure the transit bracket to the transit bracket mounting brackets at the rear of the unit for storage with the **provided M6 Cap Screw**.

4.



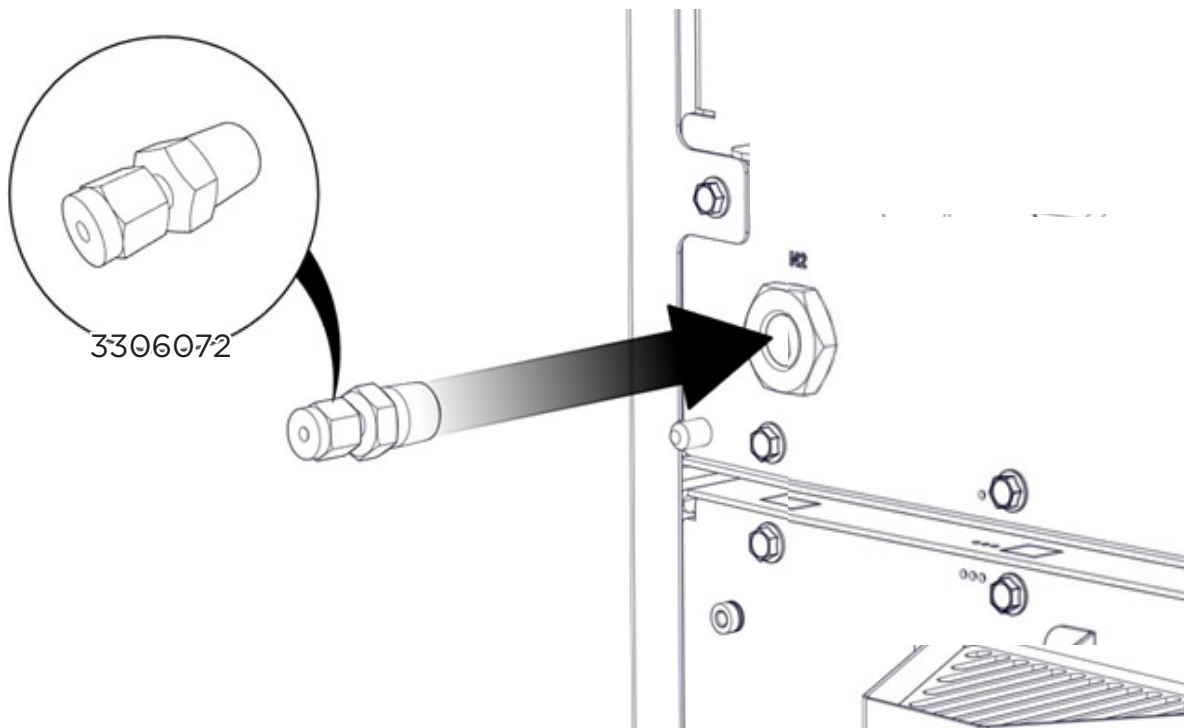
If the Zero Air **is not** being used to support an application, **fit the 6mm Push Fit Elbow 02-4703** with a **6mm Push Fit Silencer 3302480** to the **Zero Air Outlet Port**.

5.



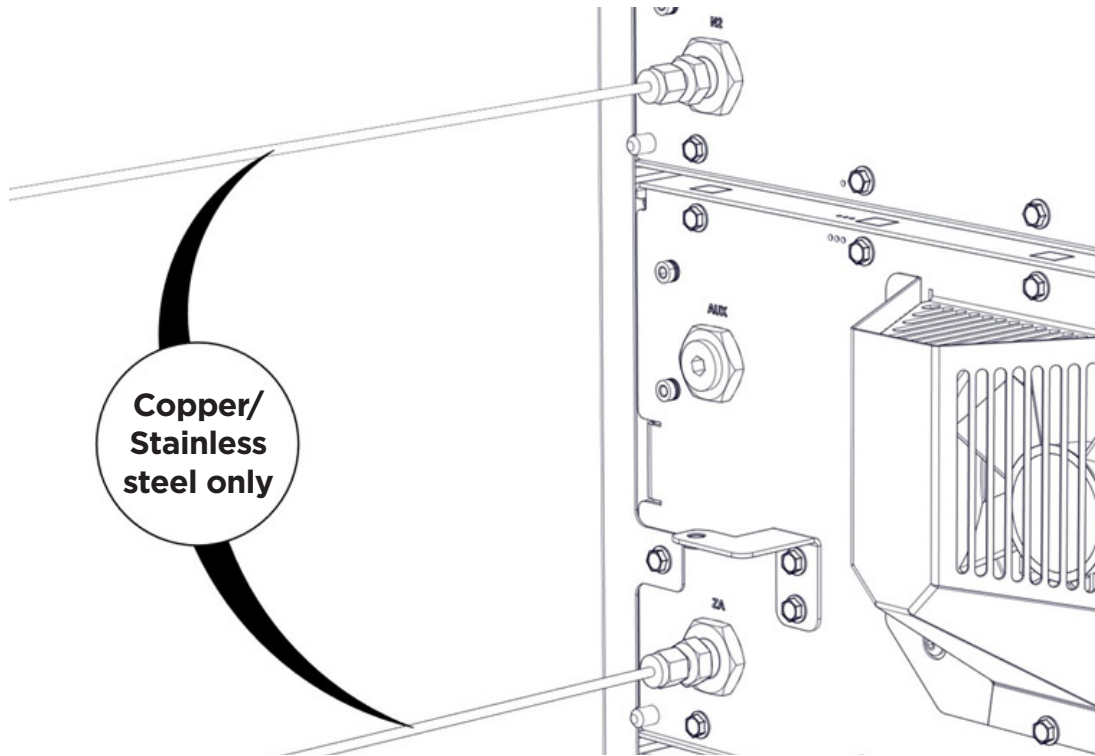
If the Zero Air is used to support an application, **Fit the 1/8" compression fitting 3306072 to the Zero Air Outlet Port.**

6.



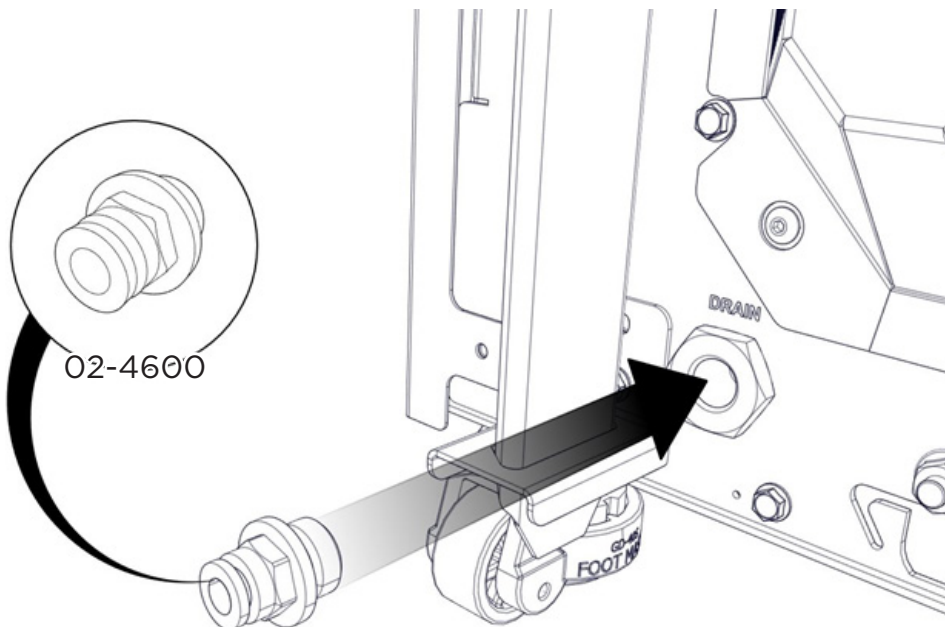
Fit the 1/8" compression fitting 3306072 to the Nitrogen Outlet

7.



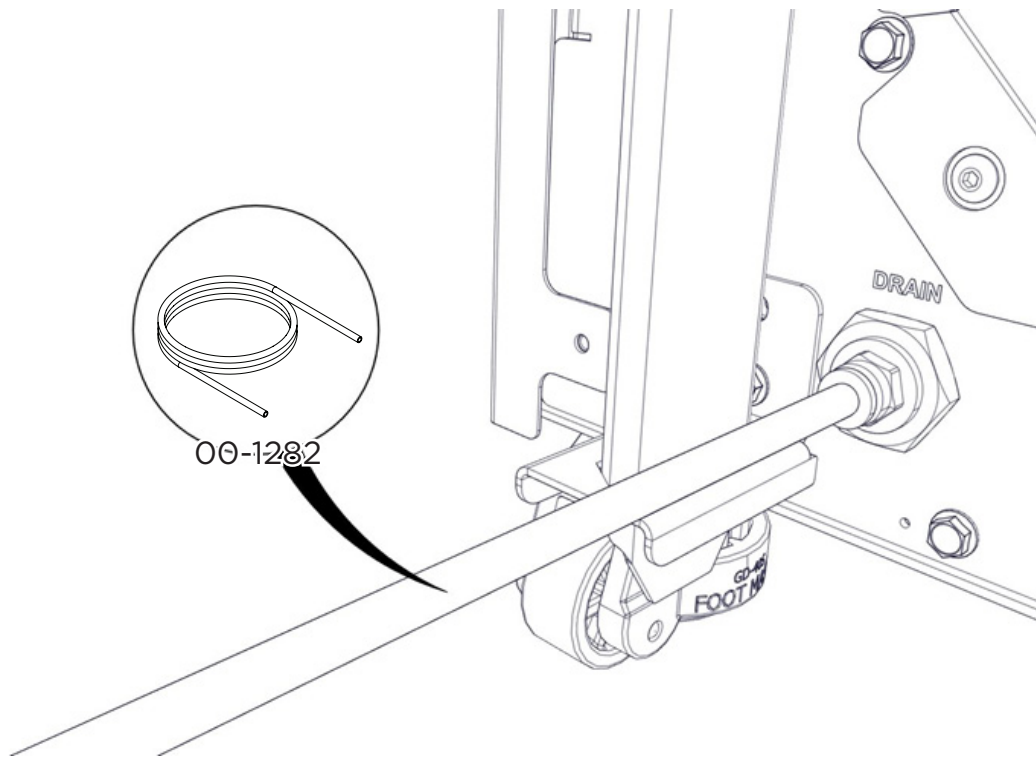
Using an **appropriate 1/8" lab grade stainless steel or copper pipes** (not supplied), **connect the application to the Nitrogen Outlet Port and Zero Air Outlet Port** if used.

8.



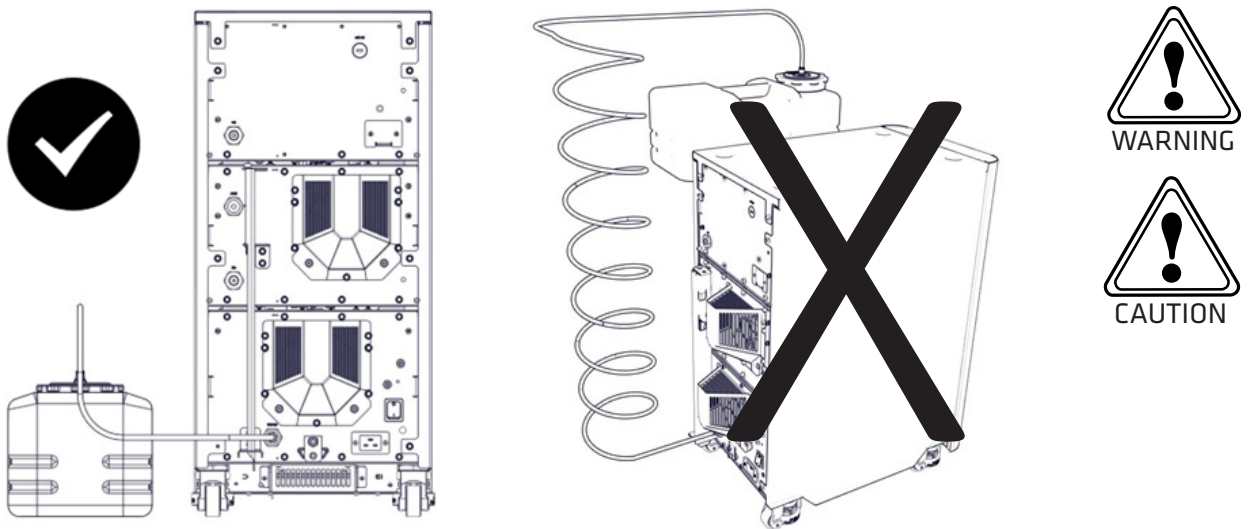
Fit the **6mm Push Fit Fitting 02-4600** and to the **Drain Port** at the rear of the generator

9.



Connect the 6mm Polyethylene Tubing 00-1282 to the 6mm Push Fit Fitting 02-4600

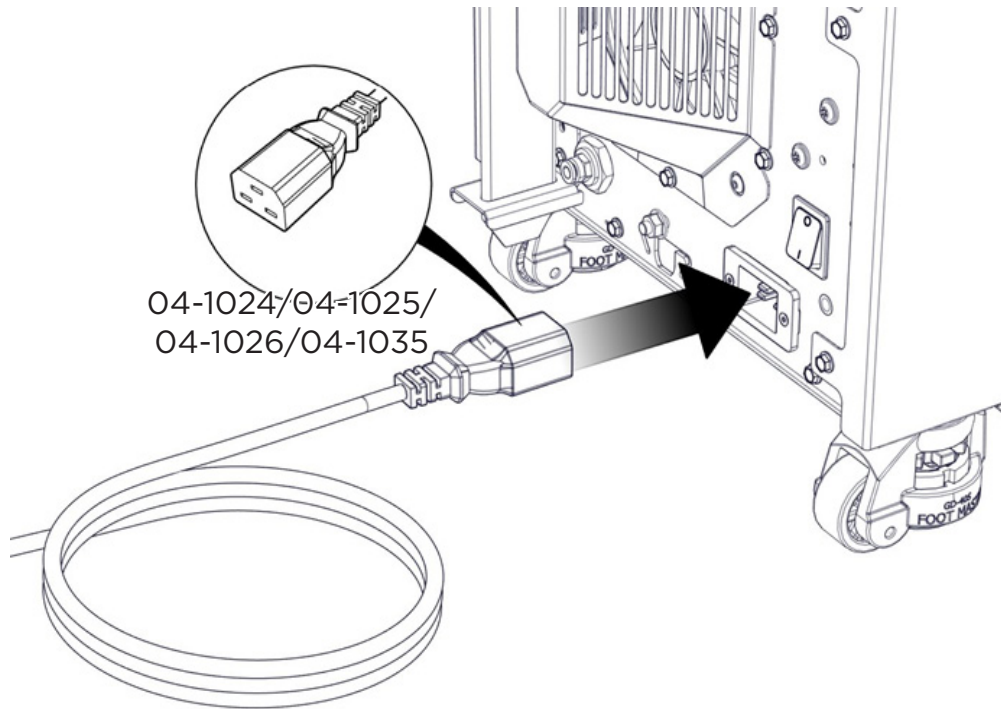
10.



Fit the other end of the tubing securely to a suitable drain connection or container such as the **Peak Drain Bottle 3305269** (Not supplied with fittings kit).

If a container is used it should be **emptied at regular intervals. The container used MUST be a plastic material and MUST NOT be glass for safety reasons.** The container **MUST NOT** have an airtight seal as water and air are expelled **periodically under slight pressure.** The container **must be placed at ground level with no elevated or spiralled tubing.** Fix the drain ending of the tube securely to prevent it from vibrating during draining. **Ensure no 'kink' or 'bends' are present in the drain line which could impede the system drainage.** See **General Notes section** for full instructions.

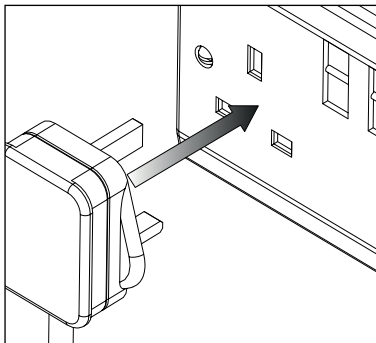
11.



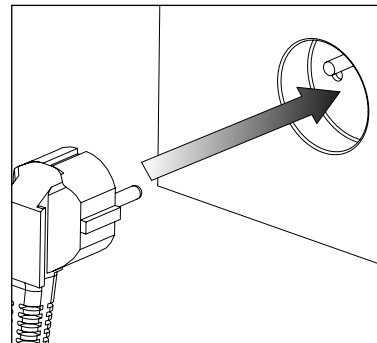
Select the appropriate mains cable (04-1024/04-1025/04-1026/04-1035) from the fittings kit and **plug the IEC 60320/C19 cable into the power socket** at the rear of the generator.

12.

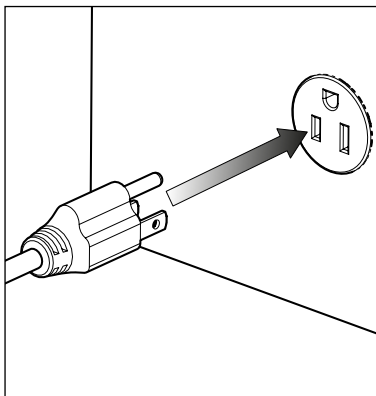
UK



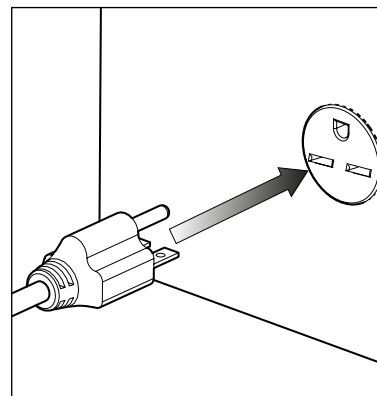
EU



US
120V



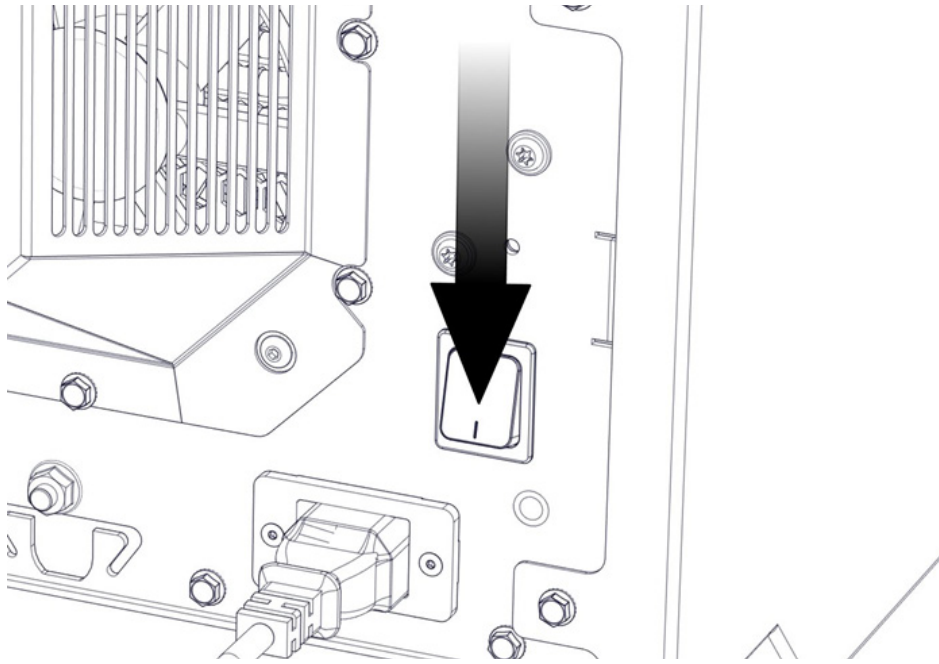
US
230V



Plug the mains cable into the corresponding **120VAC 60Hz OR 220-240VAC 50/60Hz, single phase power supply.**

CAUTION ensure the correct cable has been selected for your electrical supply. Refer to general serial plate if you are unsure of the requirements of your generator.

13.



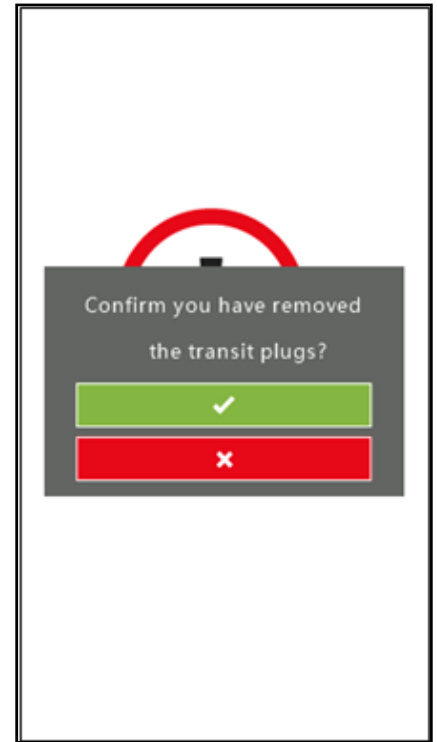
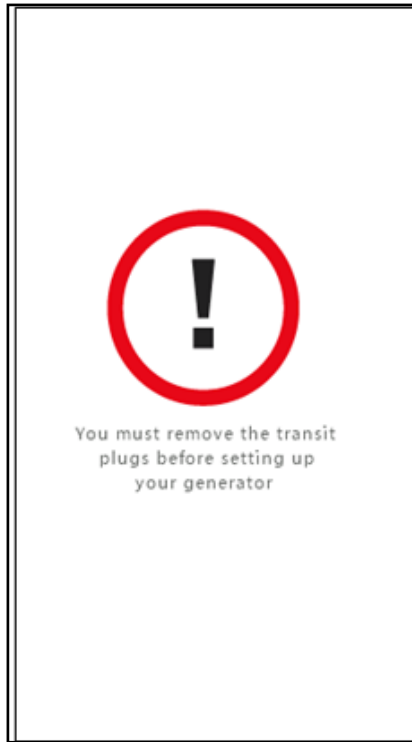
Press the **POWER** switch located at the rear of the generator.

14.



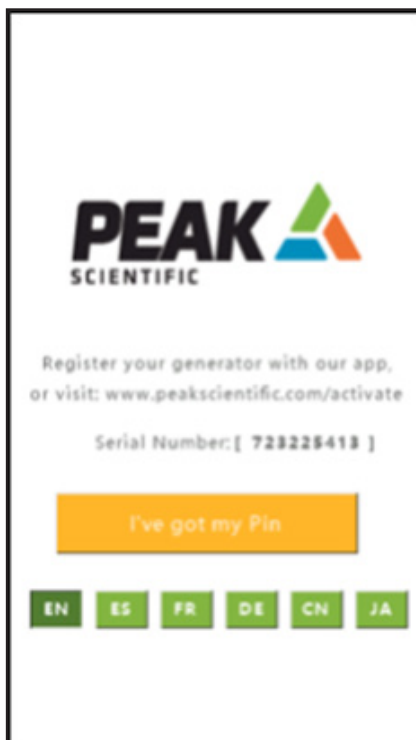
The touch screen at the front of the generator **will power ON** and **display the start-up window**.

15.



The system will now run its Initialisation process. After which, a screen will be displayed instructing the user to remove the Transit brackets. Once removed, **Press the screen and Confirm.**

16.



Before the generator starts up for the first time **the user must enter a unique 4-digit PIN code.** **Select Language** and **Press "I've got my Pin"**. Next **enter the 4-digit PIN code**, then **press OK.**

17.



Next **enter the date**, then **press ok**, then finally **press the green tick** to confirm the date.

18.



Enter the time, then press ok, then finally the green tick to confirm the time.

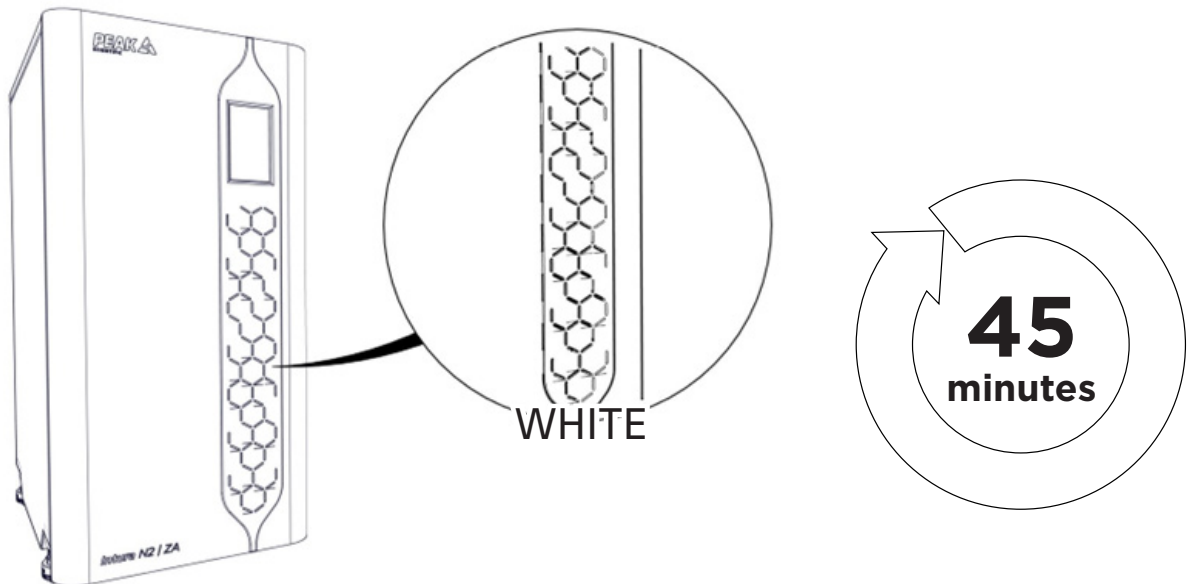
After completion, the **Home Screen** will be displayed.

19.



Press the **Power button** on the screen to **start the generator**.

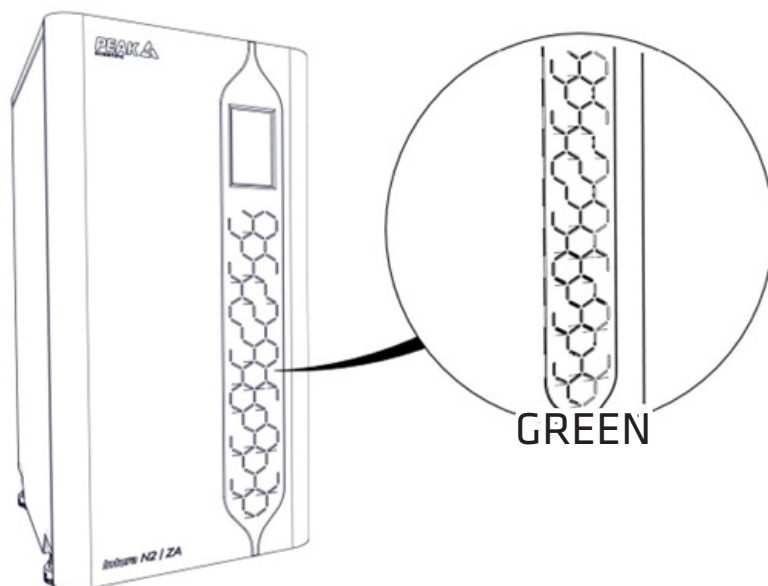
20.



The **LED** on the front panel will illuminate **WHITE** during the start-up period to purge the impurities out of the system.

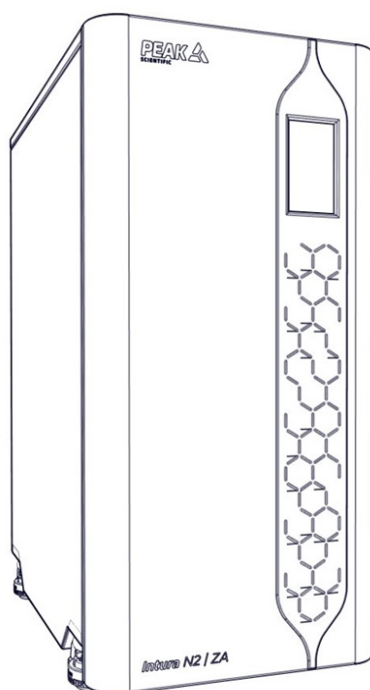
NOTE No Nitrogen will be supplied to the connected application during this period.

21.



After **45 minutes**, the start-up period will complete and the **LED will illuminate GREEN**. The generator is now ready to produce **UHP nitrogen and Zero Air on demand**.

22.



CONGRATULATIONS

Your **PEAK SCIENTIFIC** gas generator is now fully installed, operational and ready to supply gas on demand to your instrument.

General Notes

Electrical requirements are 120 or 220-240VAC nominal +/- 10% depending on chosen model. However, running continuously at voltages outwith this is not recommended. Extended periods at extremes can have a detrimental effect on the operation and life of the Generator.

Chlorine-based bleaches/cleaning solutions should not be used on the generators, nor should they be contained within the same room as the generators or their compressed air supply as this can cause internal and external corrosion of these generators.

Please familiarise yourself with the full User Manual available at www.peakscientific.com/downloads This includes all other technical specifications, operating instructions, service requirements, contact details and trouble shooting.

For Engineers Only – For a full comprehensive trouble shooting guide, please refer to the Service Manual available at www.peakscientific.com/downloads

If an appropriate mains power cords is not supplied or a substitute one is used then ensure that all components of it: the plug, cord and connector have adequate ratings for the generator and appropriate approvals for the country of use. Failure to do so could cause damage to the generator or risk overloading of the power cord.



This unit is classified as SAFETY CLASS 1. THIS UNIT MUST BE EARTHED. Before connecting the unit to the mains supply, please check the information on the serial plate. The mains supply must be of the stated AC voltage and frequency.

EARTH/GROUND (E):-	Green & Yellow	or	Green
LIVE (L):-	Brown	or	Black
Neutral (N):-	Blue	or	White

Drain Bottle Recommendations

When using this drain bottle, please note below recommendations:







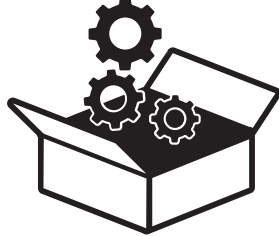

1. A drain bottle should only be connected 1:1 to a single Peak Generator.
2. The drain bottle volume must not exceed 10 litres.
3. The bottle should not be allowed to be filled with drain water to more than 2/3rds.
4. The vent size should not be blocked or restricted in any way.

Contact Peak directly to purchase the Peak approved drain bottle by referencing part number 3305269.

PEAK Protected

With PEAK Scientific you invest in not only a product but peace of mind. With a network of certified PEAK engineers stationed throughout the globe, PEAK's rapid response team are never far away and our commitment is to keep your generator running day in, day out, protecting your laboratory workflow.

[Peak Protected] can provide...

 <p>Installation A dedicated Peak engineer will visit your lab to install and setup your generator</p>	 <p>Complete plan Swift response by a Peak Service Engineer within 72 hours & planned preventative maintenance</p>	 <p>Premium Protected Guaranteed rapid on-site response within 24 hours & planned preventative maintenance</p>
 <p>IQ/OQ Certified assurance for applications requiring documented qualification</p>	 <p>Spares Genuine Peak parts with express delivery, ensuring optimal performance and lifetime</p>	 <p>Technical Support Hotline Around the clock support by phone or online with our global technical helpdesk</p>

To find out more about protecting your investment visit: www.PEAKscientific.com/protected

[**PEAK Protected**]TM

Peak Scientific has highly trained, fully certified Field Service Engineers located in over 20 countries across every continent around the world. This allows us to provide an industry-leading rapid response service to our customers. With [**Peak Protected**], your laboratory's productivity becomes our top priority.

To discuss Peak Protected generator cover and payment options speak to your local Peak Representative or for further information contact: protected@peakscientific.com



PEAK Scientific

Fountain Crescent
Inchinnan Business Park
Inchinnan
PA4 9RE
Scotland, UK

Tel: +44 141 812 8100

Fax: +44 141 812 8200

For further information on any of our generator products please contact marketing@peakscientific.com