

Infinity 1051

N₂ & dry air generator for Shimadzu LCMS-8045, 8050 & 8060

Part Number : 13-1282

Service Kit : See reverse



Your local **gas generation** partner

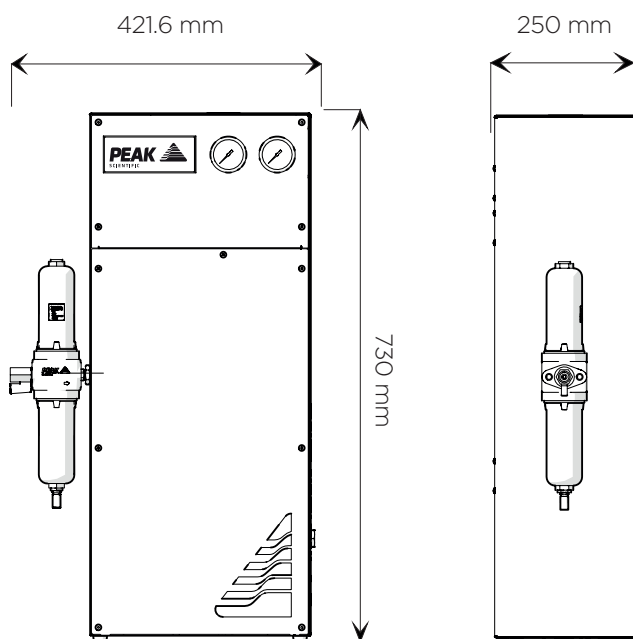
Description

Designed and engineered as an on-site, compressorless nitrogen generation solution tailored for the Shimadzu LCMS-8045, 8050 or 8060, the Infinity 1051 delivers one output of nitrogen and another of dry air to laboratories who already have an existing air supply.

The Infinity Series gas generators are compressor-free gas generators which require a clean source of in-house air to operate effectively. With very few moving parts, these generators are effectively silent in operation and need only minimal care to ensure continued high performance and extended product life.

Applications

- Shimadzu LCMS-8045
- Shimadzu LCMS-8050
- Shimadzu LCMS-8060



Key Features

- Both a nitrogen and dry air output suitable for the Shimadzu LCMS-8045/50/60 and instruments requiring similar specifications
- 24/7 operation at optimum performance if required
- Gas is supplied on demand so generator works to your schedule
- Few moving parts means little maintenance required and ensures long life of the generator
- Minimal set-up required
- Completely silent in operation
- 12 month comprehensive on-site warranty

Technical Specifications

	Infinity 1051
Max Flow Rate (Nitrogen)	25 L/min
Max Flow Rate (Dry Air)	25 L/min
Max Gas Outlet Pressure (Nitrogen)	100psi (690 kPa)
Max Gas Outlet Pressure (Dry Air)	110psi (759 kPa)
Min Air Inlet Flow Rate	110 L/min
Min Inlet Air Quality	ISO8573 - 1:2010 Class 1.4.1
Min/Max Air Inlet Pressure	8.3 - 10 bar / 120 - 145 psi
Min/ Max Operating Temperature	5°C - 30°C / 41°F - 86°F
Particles	<0.01µm
Suspended Liquids	None
Electrical Requirements	None
Generator Dimensions (HxWxD)	730 x 421.6 x 250 mm/ 28.8 x 16.6 x 9.9"
Generator Weight	21.3kg (46.9 lbs)

Ordering Information

Part Number	13-1282
Annual Maintenance Kit	visit: www.peakscientific.com/ordering
Standard Maintenance Plan	
Complete Maintenance Plan	

[PEAK Protected]™

Peak Scientific gas generators define the benchmark in reliability, convenience and performance in laboratories around the world, and come backed by a 2 year warranty*. Beyond this period however you can ensure that your investment continues to be **[Protected]** by our comprehensive generator care cover.

Our world-class aftercare support packages deliver a program of scheduled preventative maintenance whilst giving you the reassurance of instant access to worldwide technical support and priority on-site response in the untimely event of a breakdown.

Note: Infinity 1051 generators do not include internal compressors. An external/existing source of compressed air is required, conforming to ISO 8573-1:2010 Class 1.4.1.

Talk to your local Peak representative for assistance if you are unsure or if you require a compressor solution.

Peak Scientific UK
Tel: +44 (0)141 812 8100
Fax: +44 (0)141 812 8200

Peak Scientific North America
Tel: +1 866 647 1649
Fax: +1 978 608 9503

For a full list of our worldwide office locations, please visit:
www.peakscientific.com/offices

Web: www.peakscientific.com
Email: discover@peakscientific.com

Peak Scientific's Quality Management System conforms to:
ISO 9001:2015



Product Certifications

