

SCTOCA

Site Preparation Guide



Contents

Customer Responsibilities	3
Change History	4
Related Manuals	4
Safety Notices	5
Safety Notice to Users	5
Technical Specification	6
Environment	6
Generator Outlets	6
Electrical Requirements	6
General	6
Site preparation	7
Environmental control	7
Space provision	8
Electrical requirements	9
Unpacking	12
Space Required	12
Unpacking	12
Tubing lengths	13
Copper Tubing	13
Drainage	14

Customer Responsibilities

To ensure a successful and timely installation of your Peak generator, please refer to this set of requirements.

Correct site preparation is the first key step in ensuring that your generator and systems operate reliably over an extended lifetime.

This document is an information guide and checklist that outlines the requirements for your site.

It is essential your site meets the following specification prior to the installation date.

For details, see specific sections within this document

- The necessary spatial requirements are met.
- The correct environment is provided for the generator.
- Electrical outlet locations and quantities are planned.
- Adequate exhaust ventilation is provided.
- The correct tubing lengths and diameters are used in relation to the distance from the instrument.

Failure to meet the Site requirements of your Peak generator as stated above and detailed in this document could result in the unit underperforming and **possible loss of warranty.**

Please sign below to confirm your compliance with the aforementioned requirements.

Once complete please return to Peak Scientific, or whomever the unit was purchased from.

Return addresses can be found on the back page of this document.

Name: _____ Company: _____

Signed: _____ Date: _____

Model: _____ Cust. Sales Order No.: _____

SC-TOC-A Site Preparation Guide

Change History

Rev.	Comment	Name	Date
1			
2			
3			
4			



Related Manuals

Document number	Manual name	Description
UM-SCTOCA	SCTOCA User Manual	Describes the operation of the generator and all service requirements . Supplied with the generator.
IG-SCTOCA	SCTOCA Installation Guide	Details the installation process of the generator. Supplied with the generator.

Safety Notices

Symbols

This manual uses the following symbols to highlight specific areas important to the safe and proper use of the Generator:

	A WARNING notice denotes a hazard. It calls attention to an operating procedure, process or similar, which if not correctly performed or adhered to, could cause personal injury or in the worst case death. Do not proceed beyond a WARNING notice until the indicated conditions are fully understood or met.
	A CAUTION notice denotes a hazard. It calls attention to an operating procedure, process or similar, which if not correctly performed or adhered to, could cause damage to the Generator or the application. Do not proceed beyond a CAUTION notice until the indicated conditions are fully understood or met.

Safety Notice to Users



This site preparation guide must be read thoroughly and understood before installation and operation of your Peak SCTOCA Generator. Incorrect preparation or use of the Generator in a manner not specified by Peak Scientific MAY impair the SAFETY provided by the equipment.



When handling, operating or preparing for installation, personnel must employ safe practices and observe all relevant local health and safety requirements and regulations. The attention of UK users is drawn to the Health and Safety at Work Act 1974, and the Institute of Electrical Engineers regulations.

SC-TOC-A Site Preparation Guide

Technical Specification

Environment

Minimum operating ambient temperature	5°C (41°F)
Maximum operating ambient temperature	30°C (86°F)
Maximum relative humidity	70%
Maximum altitude	2000 meters
Minimum storage temperature*	-20°C (-4°F)
Maximum storage temperature*	60°C (140°F)

*NOTE - When taken out of storage the Generator should be allowed to acclimatize at room temperature for a minimum of 3 hours before operation.

Generator Outlets

Maximum gas Outlet Flow For Hydrocarbons	500CC/Min
Purge Flow Rate	2600CC/Min
Maximum Output Pressure	80psig
Pressure Dew Point	-70° (94F)
Particles	<0.01µm
Outlet	1 x ¼" BSPP
Pressure gauges	1
Phthalates	NONE
Suspended liquids	NONE

Electrical Requirements

@230 VAC ± 10% (50/60 Hz)	4 Amps
Fuse	6.3 Amps
Electrical Connection	Single Phase Power Chord
Noise level	57 dBA @ 1m

General

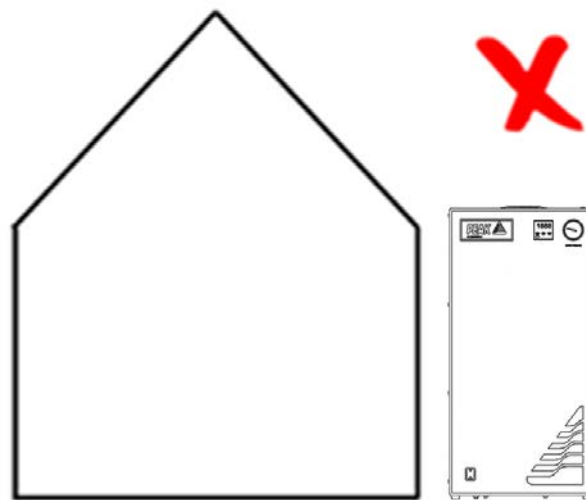
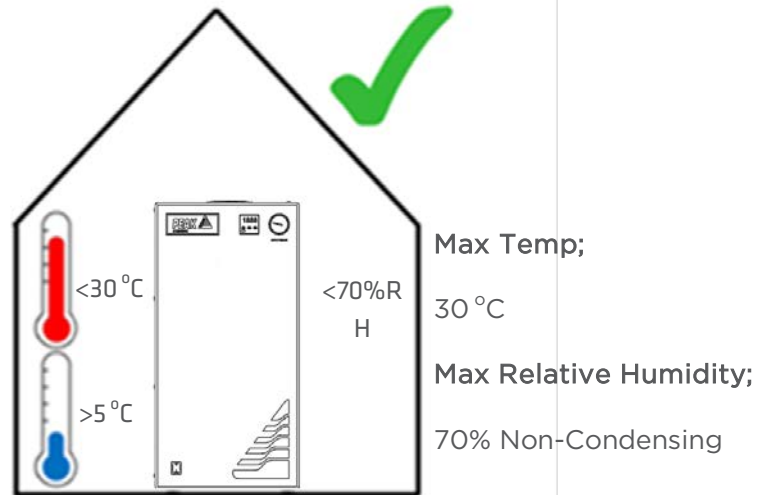
Generator dimensions in cm (inches) W x D x H	361.5 x 570 x 714.5 (14.2 x 22.4 x 28.1)
Generator weight	55 kg (121 lbs)
Shipping crate dimensions in cm W x D x H	529 x 734 x 931 (20.8 x 28.8 x 36.6)
Shipping weight	80kg (176.3)

SC-TOC-A Site Preparation Guide

Site preparation

Environmental control

If the generator is stored in an enclosed space the environment must be controlled via an air conditioner or extraction fan.

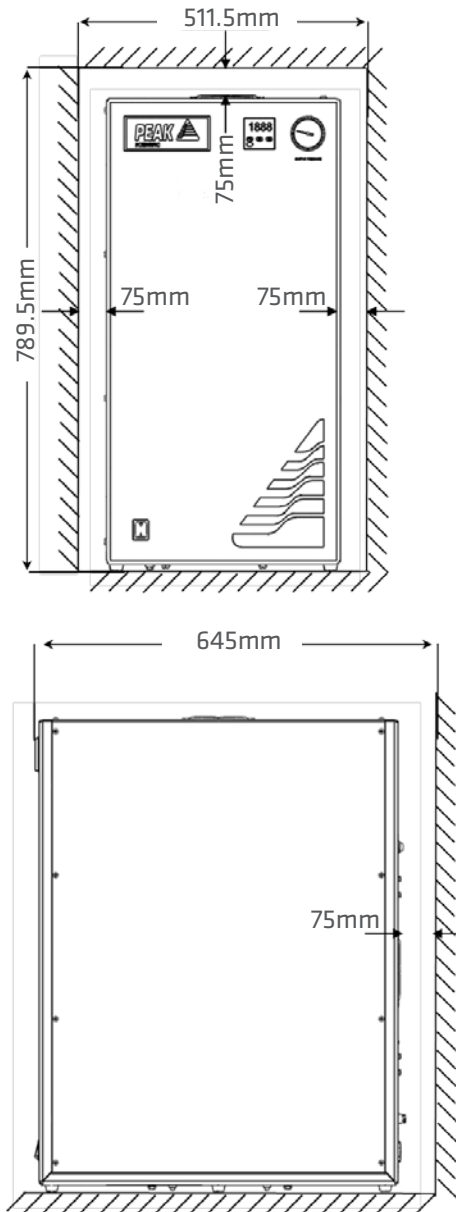


Generator **MUST NOT** be stored or installed outside.

SC-TOC-A Site Preparation Guide

Space provision

The minimum space should be provided as follows....

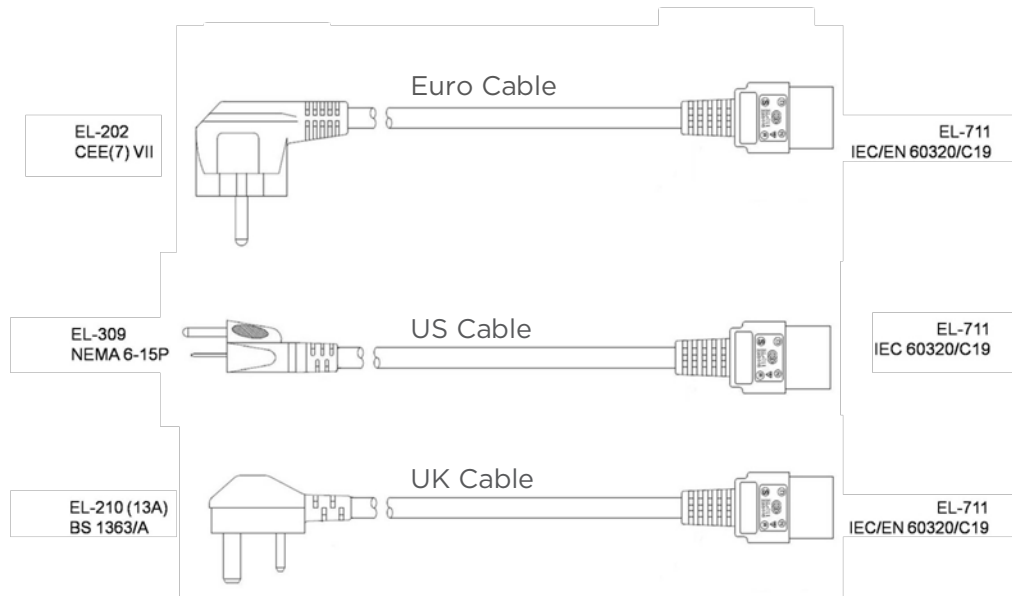


Failing to provide adequate cooling space around the generator may cause damage to the membranes and cause the compressors to run continually. This will reduce service life and invalidate warranty.

SC-TOC-A Site Preparation Guide

Electrical requirements

The below power cables are supplied with the generator.



For cables pertaining to countries not displayed above, it is the responsibility of the end user to provide an appropriate power cable which meets the requirements defined in the Technical Specification section on page 6.



This unit is classified as SAFETY CLASS 1. THIS UNIT MUST BE EARTHED. Before connecting the unit to the mains supply, please check the information on the serial plate. The mains supply must be of the stated AC voltage and frequency.

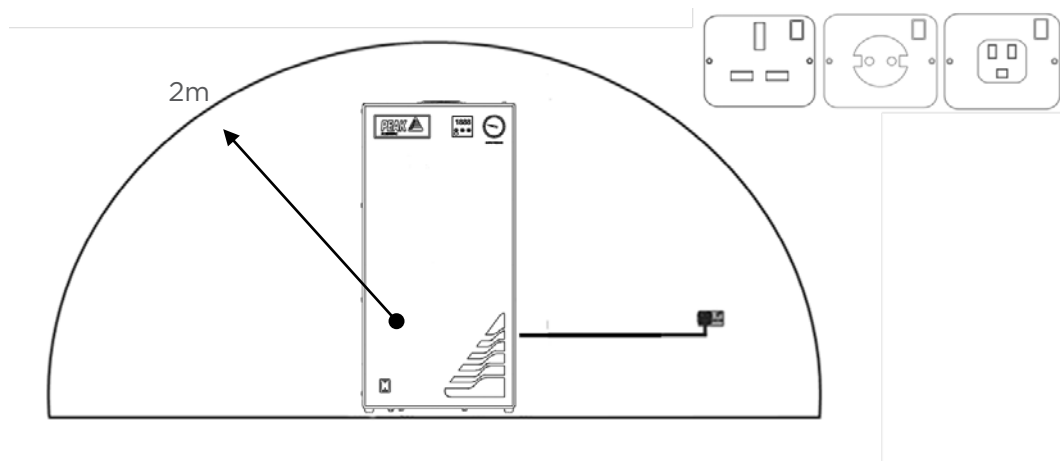
If the mains power at your location is less than 220V then a transformer can be supplied with the generator to boost the mains power to an acceptable level. Details as follows:-

Product Description	Part Number
Dual Tap Transformer 200V - 230V	06-3200

SC-TOC-A Site Preparation Guide

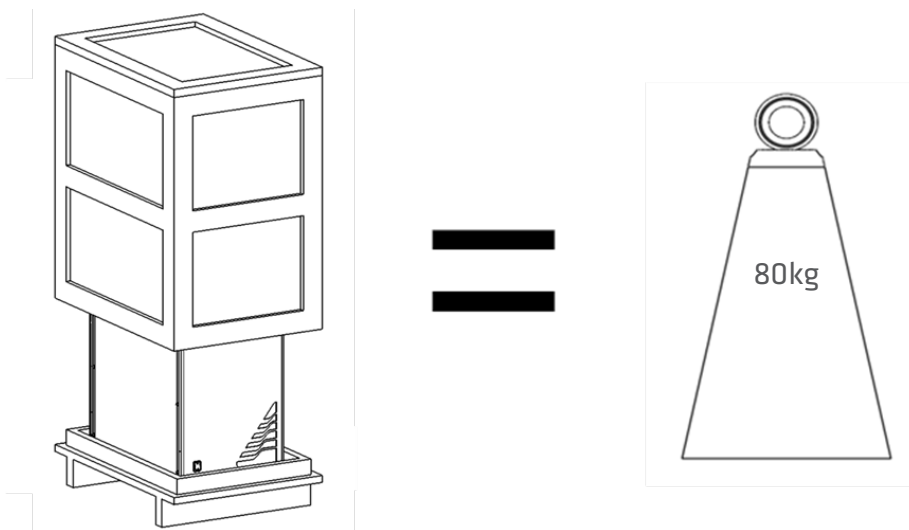
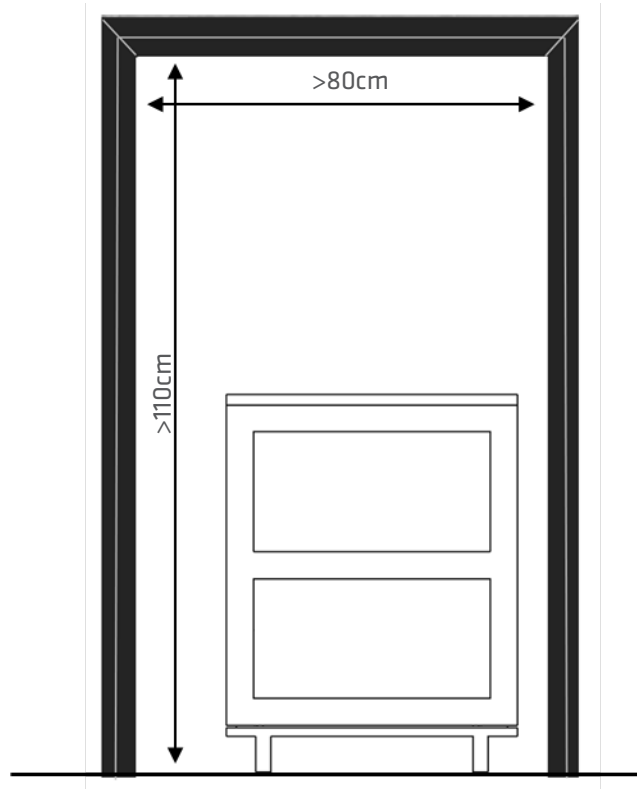
The power cable supplied with the generator is 2.5m long.

A mains socket providing the power should be located adjacent to the generator and within a 2m radius to the generator.



On-Site Transit

When moving the generator in its shipping crate, doorways and other openings such as elevators must fit with the sizes in the figure below.

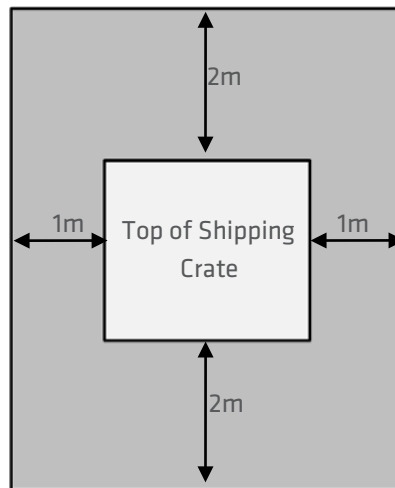


SC-TOC-A Site Preparation Guide

Unpacking

Space Required

The image below shows the minimum space required to unpack the generator from its shipping crate.



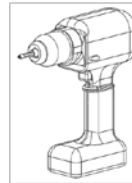
Tools

Required :



Pozidrive #2 Screwdriver

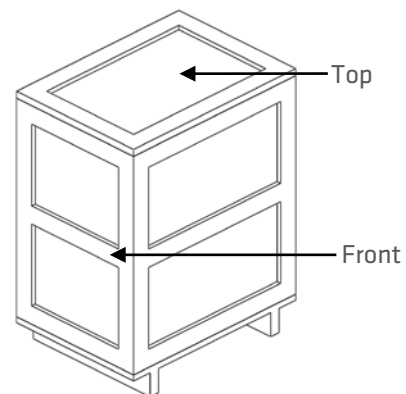
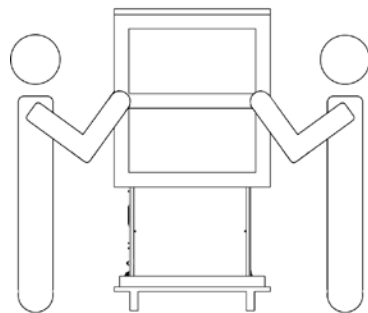
Recommended :



Drill with Pozidrive #2 Bit

Unpacking

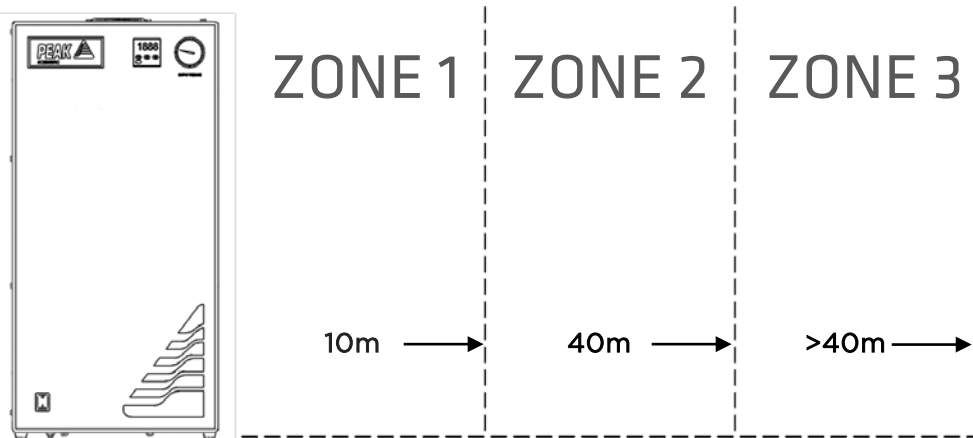
Remove all screws encircled in red, use Drill or Pozidrive #2 screwdriver. Once the screws have been removed, lift the upper half of the crate.



SC-TOC-A Site Preparation Guide

Tubing lengths

Tubing sizes should be chosen with accordance to the diagram below.

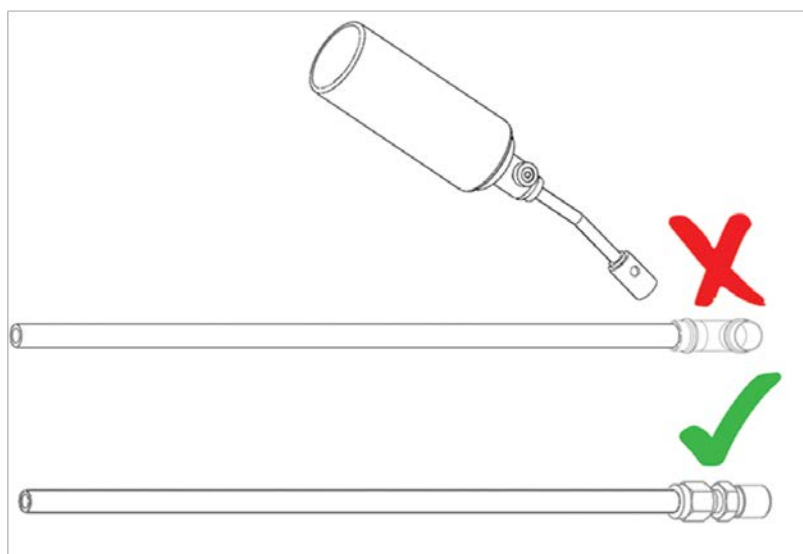


Zone	Distance from Instrument	Tubing Thickness OD/ID mm (Inches)
1	Up to 10m	6mm/4mm (1/4" 3/16")
2	Up to 40m	10mm/8mm (3/8" 5/16")
3	Over 40m	Consult Peak Scientific



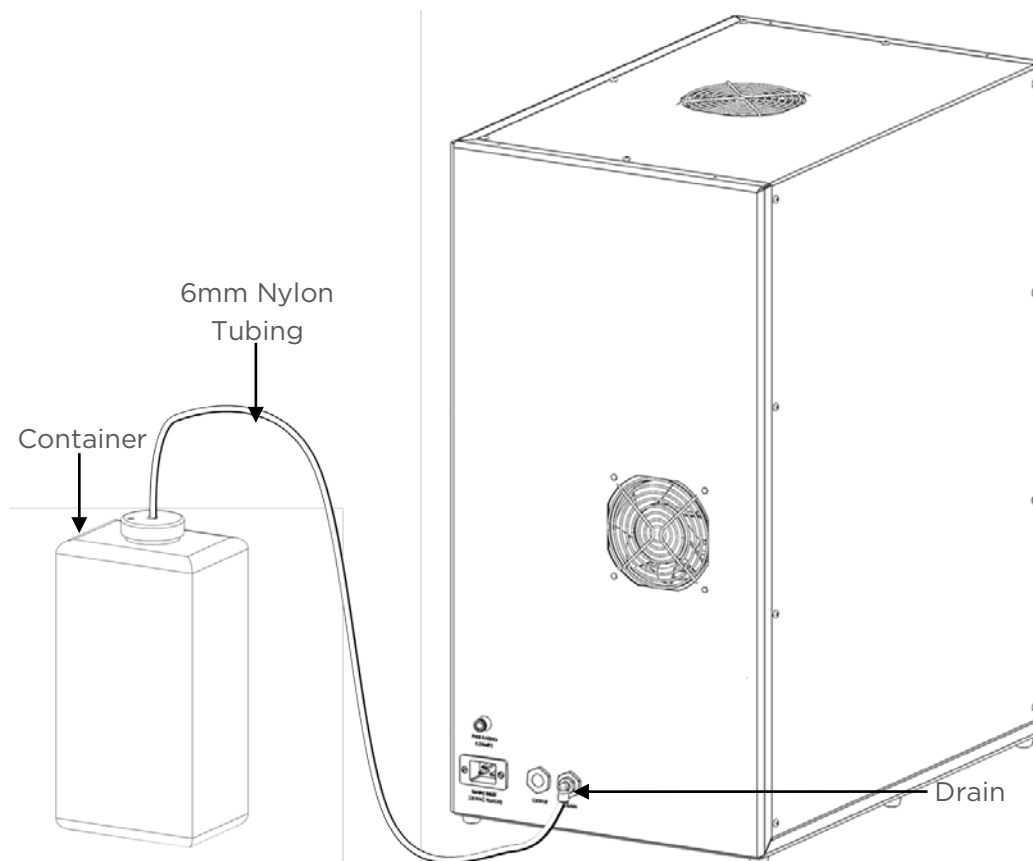
The diameter of the tubing which will be connected to the gas outlet is important and is determined by the length of tubing required. Failure to follow these recommendations could lead to accelerated compressor wear.

Copper Tubing



Soldering may lead to contamination. Compression fittings recommended.

Drainage

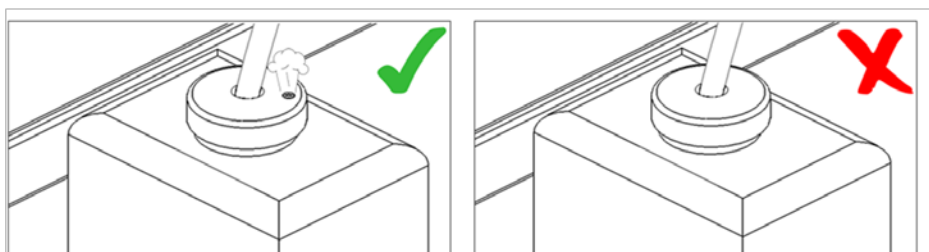


Connect the 2m Nylon tube to the drain outlet, ensure the tube is pushed fully in and gripped securely by the fitting.

Fit the other end of the drain line to a suitable drain connection or container.

Ensure that the container is emptied regularly, before full.

Containers **must not** be airtight.



Peak Scientific UK

Fountain Crescent
Inchinnan Business Park
Inchinnan
PA4 9E
Scotland, UK

Tel: +44(0)141 812 8100

Fax: +44(0)141 812 8200

Peak Scientific Germany

Herriotstrasse 1
60528 Frankfurt

Germany

Tel: +49(0)69 677 33 490

Fax: +49(0)69 677 33 200

Peak Scientific North America

19 Sterling Road
Suite #8
Billerica, MA 01862

USA

Tel: +1 866 647 1649

Fax: +1 978 608 9503

Peak Scientific China

515B, 5th Floor
Standard Chartered Tower
201 Century Avenue
Pudong, Shanghai
200122, China

Tel: +86 21 6182 6787

Fax: +86 21 6182 6777

Peak Scientific India

202, Amsri Shamira
Old Lancer Line
Opp. St. Mary's Degree College
S.D. Road Secunderabad
500 025, India

Tel: +91 (0)40 2780 0663

Fax: +91 (0)40 2780 0663

Peak Scientific Mexico

Solon 352
Col. Los Morales Polanco
11530 Mexico, D.F.

Mexico

Tel: +1 866 647 1649

Fax: +1 978 608 9503

Peak Scientific Africa

Block D, Unit D40
The Grove Business Estate
Old Paardevlei Road
Somerset West
7130, South Africa

Tel: +27 (0)2185 16542

Fax: +27 (0)8654 64473

Peak Scientific Australia

PO BOX 65
Belmont
Victoria 3216

Australia

Tel: +61 1300 965 352