

Solaris XE for Waters™

Dedicated nitrogen solution for ACQUITY™ QDa™



Your local **gas generation** partner

Description

Peak Scientific's Solaris XE nitrogen generator offers a reliable, compressor-free gas solution that can comfortably meet the demands of most mass spectrometers within Waters' portfolio of instruments. Using our tried and tested membrane technology, Solaris XE can operate with varying flow rates (up to 35L/min of high purity nitrogen), purity (95-99.5%) and outlet pressure can be adjusted down from 116psi.

Solaris XE for Waters has been designed in collaboration with Waters and is the only compressor-free nitrogen generator available which is tested and approved by Waters for use with the ACQUITY QDa Detector. Solaris XE is fitted with alignment blocks specifically designed to enable the generator to be stacked underneath the ACQUITY QDa in most modular stacking configurations*, providing a compact and discreet space-saving solution within the lab. Alternatively this unit can be wall mounted or free standing on a lab bench.

The Solaris XE has been engineered to provide nitrogen to laboratories that utilize an external source of compressed air, which meets a minimum quality grade of ISO 8573-1:2010 Class 1.4.1.

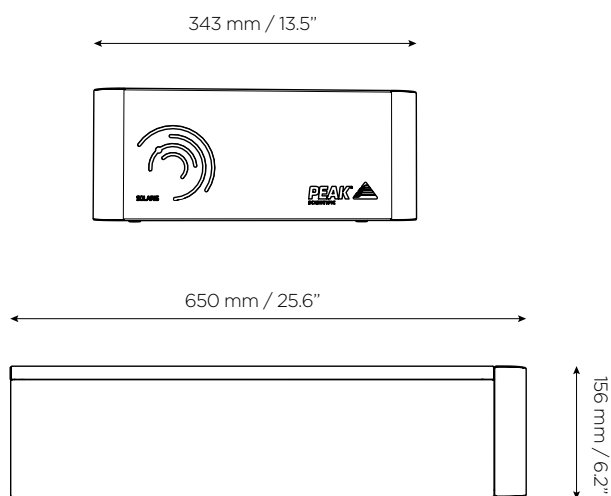
*Please ask your local sales representative for advice on supported stacking configurations.



Applications

- Waters ACQUITY QDa Detector
- A list of instruments that are compatible with Solaris XE can be found on our Waters application list.

- Nitrogen up to 35L/min, up to 116 psi @ 95-99.5% purity
- Tested and approved by Waters
- Compact, wall-mountable and stackable* with Waters ACQUITY QDa, maximizing the use of valuable laboratory floor or bench space
- Variable outlet flow, pressure and purity
- Colour indicative LED lighting for easy system status awareness
- Manufactured and tested to highest spec in UK, CE/FCC/CSA certified
- Safer and more convenient than pressurized cylinders, dewars or bulk storage
- 12 month on-site comprehensive warranty
- Backed by **[Peak Protected]** global on premise servicing and technical support



Technical Specifications

Solaris XE for Waters

Max Flow Rate	up to 35 L/min
Max Pressure	up to 116 psi / 8 bar (user adjustable)
Purity	95% - 99.5%*
Gas Outlets	1 x 1/4 " BSPP
Min/Max Air Inlet Pressure	80 psi/5.5 bar - 145 psi/10 bar (116 psi/8 bar required for QDa)
Min Inlet Air Quality	ISO8573-1:2010 Class 1.4.1**
Contaminants	Phthalate & BHT Free
Suspended Liquids	None
Operating Temperature	5°C - 30°C / 41°F - °F
Electrical Requirements	Universal 100 / 230 VAC / 50 / 60 Hz / 0.1 A
Power Consumption	6.9 Watts
Heat Output	25 BTU/Hr
Generator Dimensions (HxWxD)	156 x 343 x 650 mm 6.2 x 13.5 x 25.6"
Generator Weight	15.1 kg / 33.3 lbs
Max Weight Bearing Capability	100 kg / 220.5 lbs
Solaris Compressor compatible	NO

*depending on inlet air pressure and outlet flow

** This unit should be connected to an air supply that, as a minimum, meets ISO8573-1:2010 Class 1.4.1

Ordering Information

Part Number	3300670
Annual Service	www.peakscientific.com/ordering
FPPM Maintenance Plan	3300671-FPPM
Complete Maintenance Plan	3300671-CSP
Supported Maintenance Plan	3300671-SMP

[PEAK Protected]TM

Peak Scientific gas generators define the benchmark in reliability, convenience and performance in laboratories around the world, and come backed by a 12 month warranty. Beyond this period however you can ensure that your investment continues to be **[Protected]** by our comprehensive generator care cover.

Our world-class aftercare support packages deliver a program of scheduled preventative maintenance whilst giving you the reassurance of instant access to worldwide technical support and priority on-site response in the untimely event of a breakdown.

Peak Scientific UK
Tel: +44 (0)141 812 8100
Fax: +44 (0)141 812 8200

Peak Scientific North America
Tel: +1 866 647 1649
Fax: +1 978 608 9503

For a full list of our worldwide office locations, please visit:

Web: www.peakscientific.com
Email: marketing@peakscientific.com

Peak Scientific's Quality Management System conforms to: ISO:9001:2008



Product Certifications

