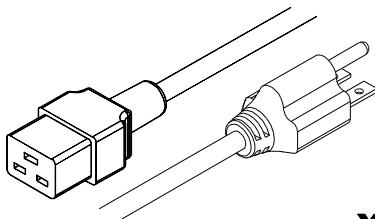
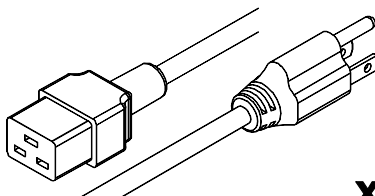


Installation Guide – Infinity 90* Generator

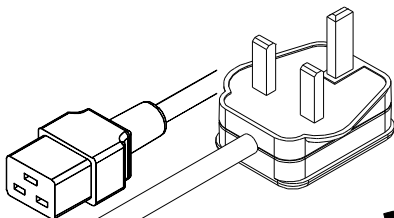
FITTINGS KIT



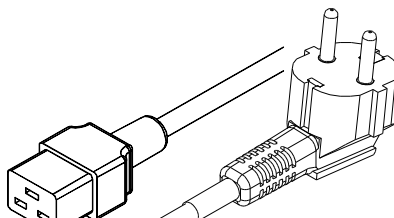
x1
US Mains Cable C19 6-15 04-1024



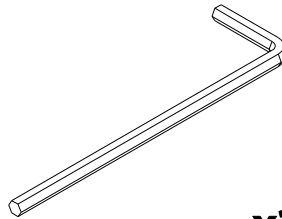
x1
US Mains Cable C19 5-15 04-1035



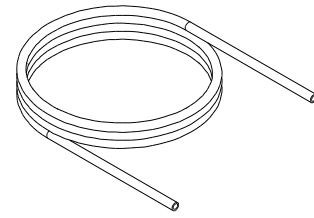
x1
UK Mains Cable C19 04-1025



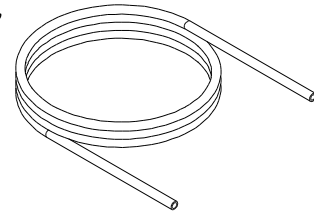
x1
EU Mains Cable C19 04-1026



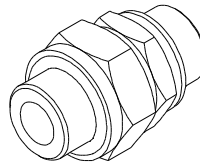
x1
8mm Hex Key 00-0007



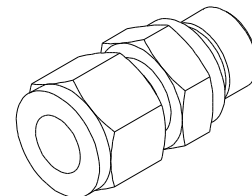
x3m
12mm PE Tubing 00-1267



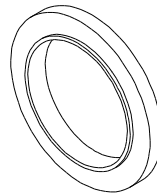
x6m
6mm PE Tubing 00-1292



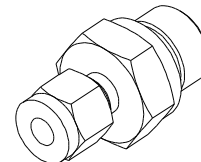
x3
3/8" Adaptor 02-1018



x1
3/8" x 12mm Compression Fitting 02-5005



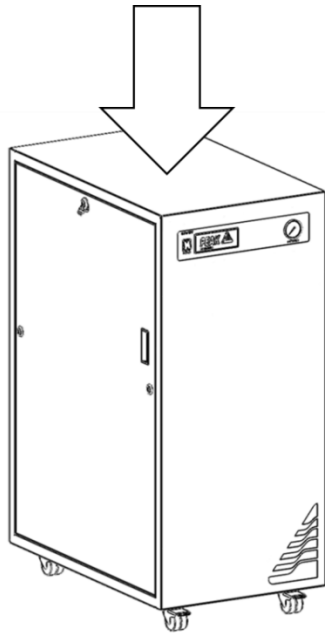
x1
Seal 02-5006



x7
3/8" x 6mm Compression Fitting 02-5007

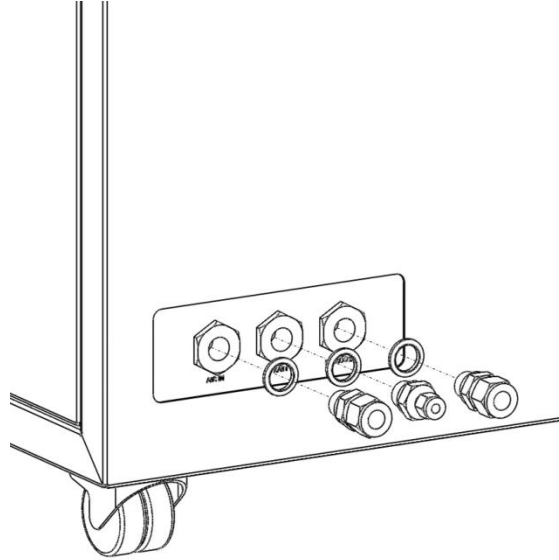
INSTALLATION

1.



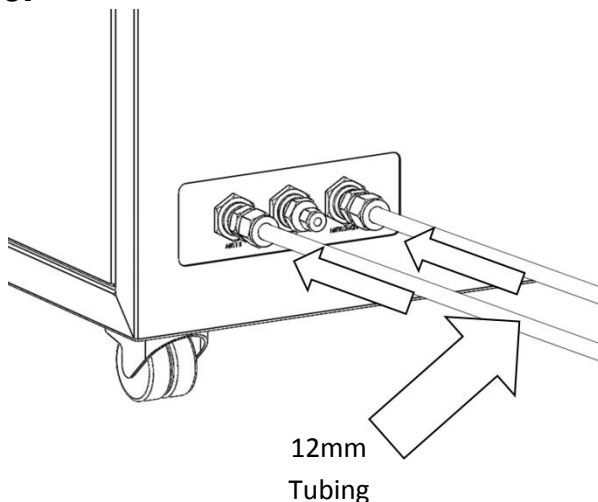
Unpack the generator from the shipping crate and place on a flat surface.

2.



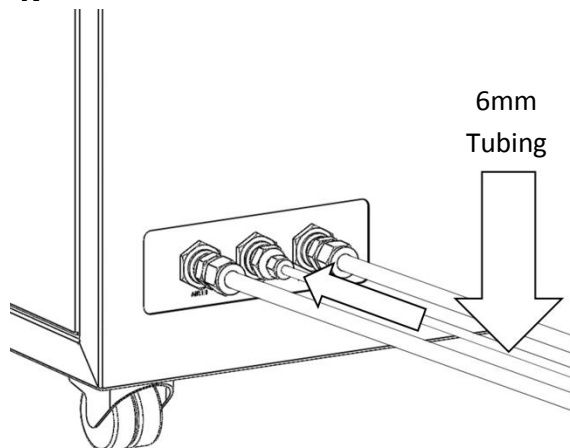
Ensuring that there is a seal between each fitting and port, Fit the two 12mm Straight fittings to the 'AIR IN' & 'NITROGEN' ports at the rear of the unit. Then fit the 6mm Straight fitting to the port marked 'DRAIN'. It is recommended that PTFE tape is applied to the threads to ensure a leak-tight fit.

3.

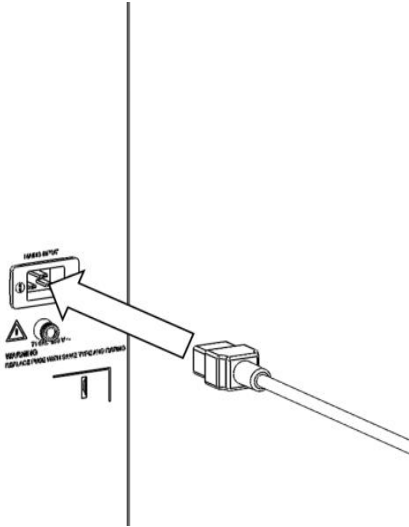
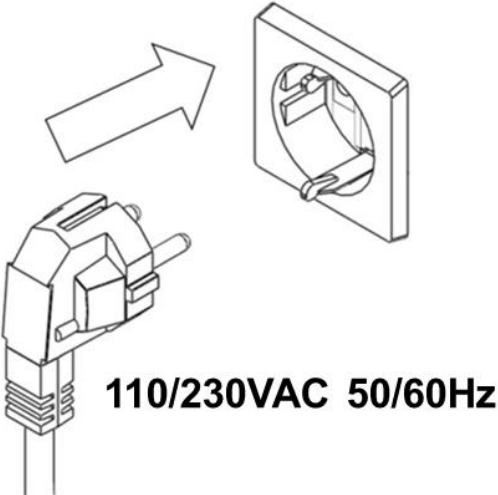
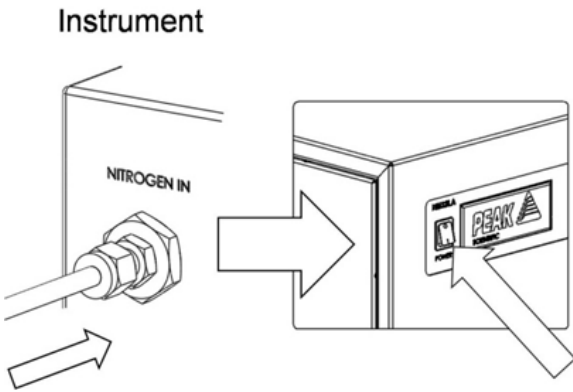
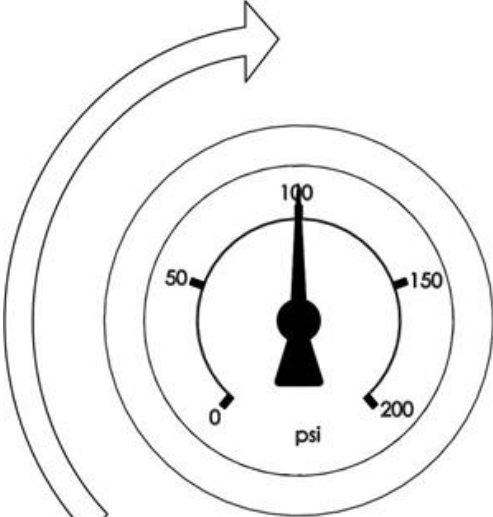


Select the 12mm Tubing and connect to the 'AIR IN' and 'NITROGEN' ports, ensuring the internal olive is crimped securely.

4.



Next, select the 6mm Tubing and connect to the 'DRAIN' port, again ensuring the internal olive is crimped securely.

<p>5.</p> 	<p>6.</p>  <p>110/230VAC 50/60Hz</p>
<p>Select the appropriate mains cable from the fittings kit and plug the IEC 60320/C19 socket into the mains input at the rear of the generator.</p>	<p>Plug the mains cable into an appropriate 110/230VAC 50/60Hz single phase power supply</p>
<p>7.</p>  <p>Instrument</p> <p>NITROGEN IN</p> <p>NITROGEN</p>	<p>8.</p>  <p>NITROGEN</p>
<p>Connect the other end of the 12mm Tube from the generators 'NITROGEN' port to the instruments gas input; again ensure the fittings are securely fastened. The generator can now be switch on using the switch on its front panel.</p>	<p>The 'NITROGEN' pressure gauge on the front of the generator will gradually increase from 0 to 100psi as the pressure in the internal storage tank increases.</p>

9.



CONGRATULATIONS

Your **PEAK SCIENTIFIC** gas generator is now fully installed, operational and ready to supply gas on demand to your instrument.

General Notes

- < 10 meters: Use 10/8 (10mm O/D, 8mm I/D) Tubing.
- > 10 - 40 meters: Use 12/10 (12mm O/D, 10mm I/D). Tubing.
- > 40 metres: Please contact Peak Scientific with the relevant distance and we will calculate the flow resistance and the tubing size required.

The imperial equivalents are: 10/8 = 3/8" O/D, 5/16" I/D
 12/10 = 1/2" O/D, 3/8" I/D

For all other technical specifications, operating instructions, service requirements, contact details and trouble shooting, please refer to the user manual contained on the CD supplied in the fittings kit. Please keep this for future reference.



28.

It is very important to register your generator with PEAK SCIENTIFIC. This will initiate your warranty entitlement. Please use the form on the next page to register your generator. You will need the generators serial number which can be found on the serial label on the rear of the generator.

IMPORTANT DOCUMENTS

Warranty Entitlement

To register your generator for your warranty entitlement, send the completed form to Peak Scientific by:

- Email warranty@peakscientific.com
- Onlin http://www.peakscientific.com/service-and-support/warranty_registration
- Phone +44 (0)141 530 4185
- Fax +44 (0)141 812 8200

PRODUCT WARRANTY REGISTRATION	
COMPANY:	CONTACT NAME:
ADDRESS:	
	EMAIL ADDRESS:
CITY/TOWN:	GENERATOR SERIAL NUMBER:
POSTCODE:	
COUNTRY:	MODEL TYPE:
TELEPHONE:	INSTALLATION DATE (DD/MM/YYYY):

Important Please Note:

You have 1 month to register your Peak Scientific product from the date of shipment.

If you wish to defer installation of your generator you must notify Peak Scientific within 1 month of the shipment date. This can be done by emailing warranty@peakscientific.com Once registered the warranty will be honoured for a period of 12 months after the installation date.

For any generators that remain unregistered the warranty will begin from date of shipment.

Thank you on behalf of Peak Scientific.