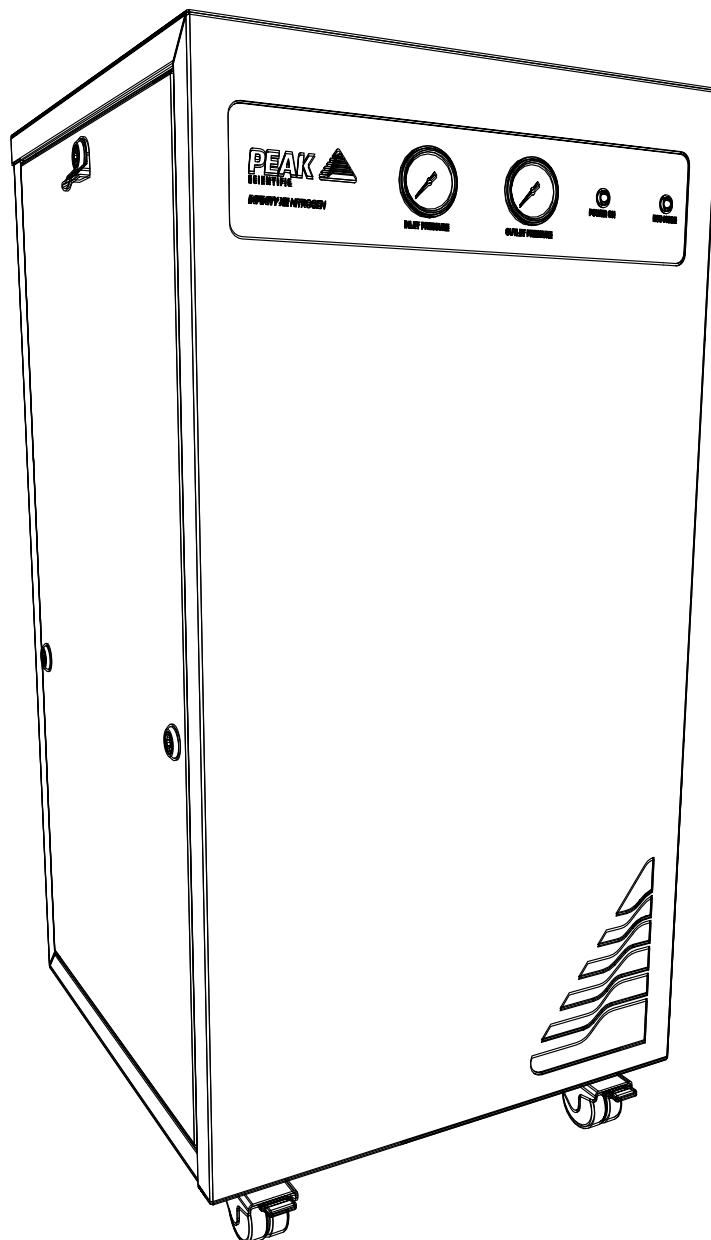


Infinity XE 50X0 Series

User Manual



Contents

Change History	3
How to use this Manual	3
Introduction	4
Warranties and Liabilities	5
Warranty & Liability Coverage	5
Safety Notices	7
Symbols	7
Safety Notice to Users	7
EU Declaration of Conformity	8
UK Declaration of Conformity	9
Environmental Declaration	10
Technical Specification	11
Unpacking	13
Fittings Kit Contents	14
Installation	15
Generator Environment	15
Generator Overview	16
General Dimensions	16
Rear Connections	17
Inlet Air Quality	17
Electrical Connection	18
Electrical Panel Access	18
Normal Operation	19
On Demand Gas	19
Eco Mode	19
Commissioning	20
Tubing Lengths	20
Service Requirements	21
Service Schedule	21
Peak Protected	22
Cleaning	23
Safely Isolated Condition	23
Safe State After Repair	23
Troubleshooting	24
Register Warranty	25
Supported Maintenance Guide	26
Service Parts List	29

Change History

Rev	Comment	Name	Date
2	Spec Update	D.Lai	19/07/2021
3	Deletions Update	D.Lai	12/10/2021
4	SMG Added	C. Denholm	18/04/2021

How to use this Manual

This manual is intended for end users and has been written as a reference document where you can skip to the relevant information.

Users can refer to the contents page to find the relevant information.

Please review each of the following sections carefully.

Thank you for selecting Peak Scientific to meet your gas generation needs, and should you require any further assistance or support please do not hesitate to contact Peak Scientific or the Peak Partner from which you purchased your generator.

Introduction

The Infinity XE 50 Series delivers performance and value beyond expectations, offering a pure and reliable source of gas. These perpetual flow nitrogen generators are suitable for a variety of applications in your laboratory.

These models provide a source of nitrogen gas with other features including:

- **Single Source Solution** - One generator can cater for the requirement of multiple applications & multiple laboratories on site
- **Durable** - Few moving parts with minimum maintenance requirements
- **Quiet in operation** - Silent whilst operating
- **Mobile** - Flexibility to position the generator where required
- **Simple installation** - Generator designed as a plug and play system
- **Economical** - More cost effective than any other gas supply method
- **Convenient** - Gas on demand, no hazards, no need to worry about running out of gas
- **Eco-mode** - Energy efficient eco-mode ensures low running costs

The Infinity XE 50 Series generators are based on proven technology, and selectively remove oxygen, moisture and other gases to leave clean, dry, phthalate free nitrogen.

To ensure these Generator models meet our high expectations with regards to reliability and performance, we have tested them extensively at our manufacturing plant and with end users around the world to ensure reliability and longevity of the system.

Warranties and Liabilities

Warranty & Liability Coverage

1. Peak warrants that, subject to the provisions in this statement, purchased Peak generators, whether purchased directly from Peak or indirectly via an approved, certified and trained distributor or partner (referred to hereafter as a “Peak Partner”) will comply in all material respects with any specifications referred to in your customer order confirmation and, subject to installation and operational guidelines being followed as described in applicable product manuals, shall be free from any defects in quality of materials or workmanship for a period of one year from the date of installation, provided this takes place within 3 months of factory dispatch.
2. Where the purchased generator is from the Precision Hydrogen series, Peak further warrants that, subject to installation and operational guidelines being followed as described in applicable product manuals, the hydrogen cell shall be free from any defects in quality of materials or workmanship for a total period of three years (inclusive of warranty period specified in clause 1) from date of installation, provided this takes place within 3 months of factory dispatch.
3. Where the purchased generator is from the i-Flow 6000 series, Peak further warrants that, subject to installation and operational guidelines being followed as described in applicable product manuals, the generator shall be free from any defects in quality of materials or workmanship for a total period of two years (inclusive of warranty period specified in clause 1) from the date of installation, provided this takes place within 3 months of factory dispatch and the following provisions have also been met:
 - a. you must purchase a service plan, ensuring the generator is serviced by Peak or a Peak Partner on or before the end of the first 12 months of your ownership, and serviced at least once during each subsequent 12 month period thereafter;
 - b. the generator (and any associated equipment) must have been commissioned by Peak or a Peak Partner;
 - c. the feed air or inlet air supply to the generator must comply with ISO 8573-1:2010 Class 1.2.1 at all times;
 - d. your air compressor, dryer, filtration and oil removal systems must be deemed suitable for use by Peak or a Peak Partner, and must be changed and serviced regularly, in line with the equipment manufacturer’s recommended guidelines; and
 - e. any generator failure or fault that is deemed to have been caused by the failure of any upstream equipment, component, part or system (such as air compressor, air treatment or filtration) will be excluded from the warranty described herein.
4. Peak also warrants that any replacement parts whether purchased (directly from Peak, or via a Peak Partner) or supplied as part of any remedial action undertaken in line with the provisions of clauses 12 and 13, shall be free from any defects in quality of materials or workmanship for a period of 180 days from the date of factory dispatch, provided its installation is performed by Peak or a Peak Partner.
5. This warranty does not exclude Peak’s liability in respect of any claim for death or personal injury to any person, in so far as such can be attributed to negligence or breach of duty of care directly resulting from failure of Peak to comply with the provisions in clauses 1, 2, 3 & 4.

Exclusions & Limitations

6. This warranty does not cover:
 - a. damage, deterioration or malfunction resulting from an alteration or modification to a generator which has not been carried out by Peak or a Peak Partner;
 - b. damage, deterioration or malfunction resulting from what Peak reasonably believes to be abuse, or misuse of a generator by you or any third party;
 - c. liability for accident or neglect (other than pursuant to clause 5);
 - d. maintenance or repairs which have not been carried out by Peak or a Peak Partner;
 - e. operation of a generator or exposure of a generator to environmental conditions that fall out-with operational guidelines as specified in the applicable product user manual; and
 - f. lightning, power surges or any other acts of God or nature.
7. This warranty is non-transferrable. Only the original owner of the generator may benefit from the terms within this statement.

8. Peak shall not be liable in respect of any claim made for costs, damages, losses or expenses (whether consequential, direct, indirect or otherwise) or in any respect howsoever arising including, but not limited to, liability from accident or negligence (other than pursuant to clause 5) that may be suffered by you or any third party.
9. No person or entity is authorised to change the terms and conditions outlined in this warranty statement in any respect, or to create any additional obligations or liabilities for any party involved.
10. This warranty statement supersedes any and all prior warranty agreements between the parties and constitutes the complete, final and exclusive understanding of the parties with respect to the subject matter. All prior negotiations, representations, or promises, whether oral or written, of either party shall be deemed to have been merged herein.
11. If any part of this warranty statement is invalidated, for whatever reason, such part will be deleted and the rest shall remain unaffected, continuing to be in full force and effect.

Delivery of Warranty Service




12. Subject to clause 13, and:
 - a. Peak being notified by you, within the duration of the applicable warranty period, of any defect that you think is subject to any warranty valid under clauses 1, 2, 3 or 4; and
 - b. Peak being permitted to inspect the generators, parts and their installation (along with any relevant packaging)
Peak shall at its option repair or replace defective generators or parts (including, if necessary, any moving parts and irrespective of runtime). No additional charges will apply, for parts or delivery and, where applicable, labour or travel. Peak will endeavour to deliver this service within 3 working days of your notification.
13. Where, in Peak's reasonable opinion, a defect is subject to an exclusion described in clause 6, Peak reserves the right to charge for parts or delivery and, where applicable, you may also be charged by Peak for call out, labour or travel in respect of any repair or replacement which you authorize Peak to carry out.

Safety Notices

Peak Scientific Instruments cannot anticipate every possible circumstance which may represent a potential hazard. The warnings detailed within this manual refer to the most likely potential hazards, but by definition cannot be all inclusive. If the user employs an operating procedure, item of equipment or a method of working which is not specifically recommended by Peak Scientific, the user must ensure that the equipment will not be damaged or become hazardous to persons or property.

Symbols

This manual uses the following symbols to highlight specific areas important to the safe and proper use of the generator.

 WARNING	A WARNING notice denotes a hazard. It calls attention to an operating procedure, process or similar, which if not correctly performed or adhered to, could cause personal injury or in the worst case death. Do not proceed beyond a WARNING notice until the indicated conditions are fully understood or met.
 CAUTION	A CAUTION notice denotes a hazard. It calls attention to an operating procedure, process or similar, which if not correctly performed or adhered to, could cause damage to the generator or the application. Do not proceed beyond a CAUTION notice until the indicated conditions are fully understood or met.
	Caution, risk of electric shock. Ensure power to the generator has been removed before proceeding.

Safety Notice to Users



These instructions must be read thoroughly and understood before installation and operation of your Peak Generator. Use of the generator in a manner not specified by Peak Scientific MAY impair the SAFETY provided by the equipment.



When handling, operating or carrying out any maintenance, personnel must employ safe engineering practices and observe all relevant local health and safety requirements and regulations. The attention of UK users is drawn to the Health and Safety at Work Act 1974, and the Institute of Electrical Engineers regulations.



If the equipment is used in a manner not specified by the manufacturer, the protection provided by the equipment maybe impaired.

EU Declaration of Conformity

We Peak Scientific Instruments Ltd.
Of Fountain Crescent, Inchinnan, Renfrewshire, PA4 9RE

Hereby declare that, this declaration of conformity is issued under the sole responsibility of the manufacturer.

Equipment: Nitrogen Gas Generator
Models: Infinity XE 50 Series

To which this declaration relates, is in conformity with the following applicable EU Directives, harmonized standards, and other normative requirements.

- **Low Voltage Directive 2014/35/EU**
EN 61010-1: 2010 Safety Requirements for Electrical Equipment for Measurement, Control and Laboratory Use.
- **Electromagnetic Compatibility Directive 2014/30/EU**
EN 61326-1: 2013 Electrical Equipment for Measurement, Control and Laboratory Use - EMC Requirements. (Class A)
- **Restriction on the use of certain hazardous substances in electronic equipment (RoHS) Directive 2011/65/EU as amended by EU 2015/863.**
- **FCC 47 CFR Part 15 class A**
Unintentional radiators; Conducted and Radiated emissions limits.

Signed for and on behalf of Peak Scientific by

Signed: 

Name: Fraser Dunn

Position: Design Engineering Manager
Peak Scientific Instruments Ltd,
Inchinnan, Renfrew, Scotland, PA4 9RE, UK.

Date: 10th August 2021



UK Declaration of Conformity

We Peak Scientific Instruments Ltd.
Of Fountain Crescent, Inchinnan, Renfrewshire, PA4 9RE

Hereby declare that, this declaration of conformity is issued under the sole responsibility of the manufacturer.

Equipment: Nitrogen Gas Generator
Models: Infinity XE 50 Series

To which this declaration relates, is in conformity with the following applicable UK Statutory Instruments, Standards and other normative requirements.

- **The Electrical Equipment (Safety) Regulations 2016 (SI 2016 / 1101) as amended.**
BS61010-1:2010 Safety Requirements for Electrical Equipment for Measurement Control and Laboratory Use.
- **The Electromagnetic Compatibility Regulations 2016 (SI 2016 / 1091) as amended.**
BS61326-1:2013 Electrical Equipment for Measurement , Control and Laboratory Use - EMC Requirements.
- **The Restriction of the Use of Certain Hazardous Substances in Electrical and Electronic Equipment Regulations 2012 (SI 2012 / 3032) as amended.**

Signed for and on behalf of Peak Scientific by

Signed: 

Name: Fraser Dunn

Position: Design Engineering Manager
Peak Scientific Instruments Ltd,
Inchinnan, Renfrew, Scotland, PA4 9RE, UK.

Date: 10th August 2021



WEEE Compliance Statement

The Waste Electrical and Electronic Equipment (WEEE) Regulations SI 2013 No 3113 and or the Waste Electrical and Electronic Equipment (WEEE) Directive 2012/19/EU apply to all electrical and electronic equipment placed on the market in the UK and EU covered by the scope of regulations which can be found in the Government Guidance Notes (PDF) produced by the Department for Business Innovation and skills for the UK and here for Europe.

All PEAK products that are subject to the WEEE directive are compliant with the WEEE marking requirement. Such products are marked with the “crossed-out wheellie bin” symbol (shown below) in accordance with European standard EN50419. All old electrical equipment can be recycled. Please do not dispose of any electrical equipment (including those marked with this symbol) in general rubbish bins. Please contact your dealer or distributor for clarity.



Technical Specification

Infinity XE 5010 & 5020

Environment

	5010	5020
Minimum Operating Ambient Temperature	5°C (41°F)	
Maximum Operating Ambient Temperature	30°C (86°F)	
Maximum Relative Humidity	80%	

* Maximum safety ambient temperature 30°C

** When taken out of storage the generator should be allowed to acclimatize at room temperature for a minimum of 3 hours before operation.

Inlet Conditions

Minimum Air Inlet Pressure	4.1 bar (60 psi)
Maximum Air Inlet Pressure	9.9 bar (145 psi)
Minimum Air Inlet Flow	Dependant on required flow and purity
Minimum Air Quality	ISO 8573-1:2010 Class [1.4.1]

Generator Outlets

Maximum Pressure Drop (Inlet-Outlet)	0.7bar (10psi)	
Maximum Outlet Flow (95% Nitrogen)	130 L/min	260 L/min
Outlet Nitrogen Purity	95 - 99.5%	
Start-Up Time	30 minutes	
Particles	<0.01µm	
Pressure Gauges	2	

Electrical Requirements

Voltage	100-240 v +/- 10%	
Frequency	60 Hz / 50 Hz	
Current	0.5A	
Input Connection	C20 Plug	
Power Cord (Supplied)	C19 socket to local connection (13A min 16A Max)	
Pollution Degree	2	
Insulation Category	I	

General

Dimensions cm (inches) WxDxH	50 x 50 x 99 (19.6 x 19.6 x 39.0)	
Generator Weight Kg (lbs)	50.4 kg (111 lb)	54.6 kg (120 lb)
Shipping Weight Kg (lbs)	67 kg (148 lb)	72 kg (159 lb)

Technical Specification

Infinity XE 5030 & 5040

Environment

	5030	5040
Minimum Operating Ambient Temperature	5°C (41°F)	
Maximum Operating Ambient Temperature	30°C (86°F)	
Maximum Relative Humidity	80%	

* Maximum safety ambient temperature 30°C

** When taken out of storage the generator should be allowed to acclimatize at room temperature for a minimum of 3 hours before operation.

Inlet Conditions

Minimum Air Inlet Pressure	4.1 bar (60 psi)
Maximum Air Inlet Pressure	9.9 bar (145 psi)
Minimum Air Inlet Flow	Dependant on required flow and purity
Minimum Air Quality	ISO 8573-1:2010 Class [1.4.1]

Generator Outlets

Maximum Pressure Drop (Inlet-Outlet)	1.4bar (20psi)	
Maximum Outlet Flow (95% Nitrogen)	390 L/min	520 L/min
Outlet Nitrogen Purity	95 - 99.5%	
Start-Up Time	30 minutes	
Particles	<0.01µm	
Pressure Gauges	2	

Electrical Requirements

Voltage	100-240 v +/- 10%	
Frequency	60 Hz / 50 Hz	
Current	0.5A	
Input Connection	C20 Plug	
Power Cord (Supplied)	C19 socket to local connection (13A min 16A Max)	
Pollution Degree	2	
Insulation Category	I	

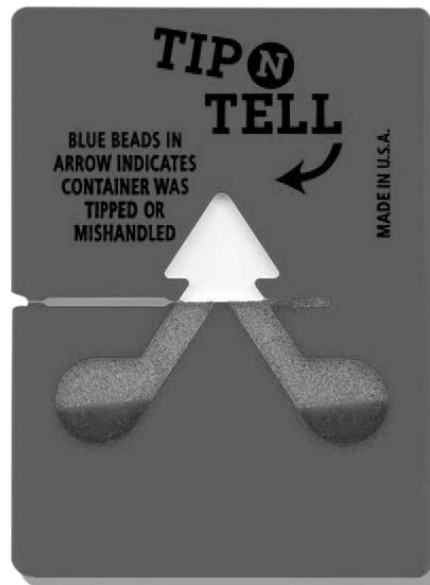
General

Dimensions cm (inches) WxDxH	50 x 50 x 99 (19.6 x 19.6 x 39.0)	
Generator Weight Kg (lbs)	58.8 kg (130 lb)	63 kg (138 lb)
Shipping Weight Kg (lbs)	77 kg (170 lb)	82 kg (180 lb)

Unpacking

Although Peak Scientific takes every precaution with safe transit and packaging, it is advisable to fully inspect the unit for any sign of transit damage.

Check 'SHOCKWATCH' and 'TIP-N-TELL' labels for signs of rough handling prior to unpacking



Any damage should be reported immediately to the carrier and Peak Scientific or the Peak Partner from where the unit was purchased.

Follow the unpacking instructions posted on the side of the crate. It will require two people to remove the unit from the shipping crate and to manoeuvre the generator to the desired location.

Please save the product packaging for storage or future shipment of the generator.

Note: Included with the generator is a "Fittings Kit" containing mains power leads for UK, EU & US and also all the required fittings and warranty registration card. Be careful not to discard these with the packaging.

Fittings Kit Contents

Supplied in the Fittings Kit are all the fittings required to connect the generator to the application. The contents of the Fittings Kit are as follows:

1. 6mm PE Tubing	x 3m
2. 12mm PE Tubing	x 6m
3. 6mm Push-Fit Fitting	x 1
4. 12mm Push-Fit Fitting	x 2*
5. 16mm Push-Fit Fitting	x 1**
6. Tee fitting	x 1
7. Shut-off Valve	x 1
8. UK Mains Power Cable	x 1
9. EU Mains Power Cable	x 1
10. JP Mains Power Cable	x 1
11. US Mains Power Cable 230v	x 1
12. US Mains Power Cable 110v	x 1
13. 4mm Hex Key	x 1
14. 5mm Hex Key	x 1
15. 8mm Hex Key	x 1

All of the generators output ports are located on the output panel at the rear of the unit.

* x1 with 5030 & 5040

** 5030 and 5040 only

Installation

Generator Environment

The generator is designed for indoor use only. It should be installed adjacent to the application(s) it is supplying. If this is not convenient then the unit can be sited elsewhere, however, consideration should be made of the lengths of pipe runs as pressure drops can result from extended runs of pipe.

Performance of the generator is affected by ambient conditions. Note should also be taken to the proximity of Air Conditioning outlets. These can sometimes give rise to “pockets” of air with high relative humidity. Operation of the unit within such a pocket could adversely affect its performance. Consideration should also be given to the air flow around the unit. It is recommended that an air gap of 75mm (3”) should be maintained down both sides and at the rear of the unit. Please refer to the drawing below for the general dimensions of the unit.

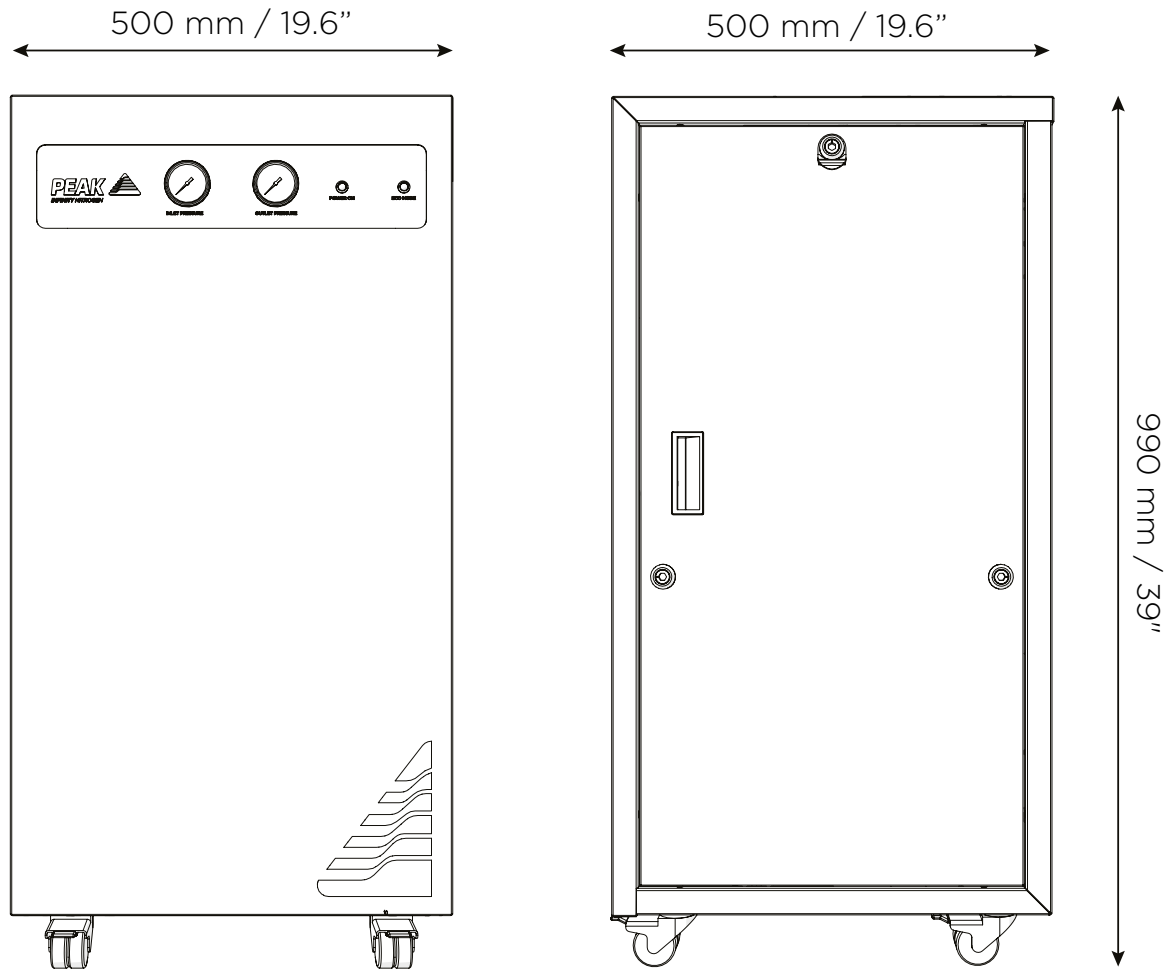
The generator should be situated in a well ventilated environment, with at least a 75mm (3”) air gap all around it and should be positioned such that it can be easily disconnected from the mains supply if required

Minimum Operating Ambient Temperature: 5 °C (41 °F)

Maximum Operating Ambient Temperature: 30 °C (86 °F)

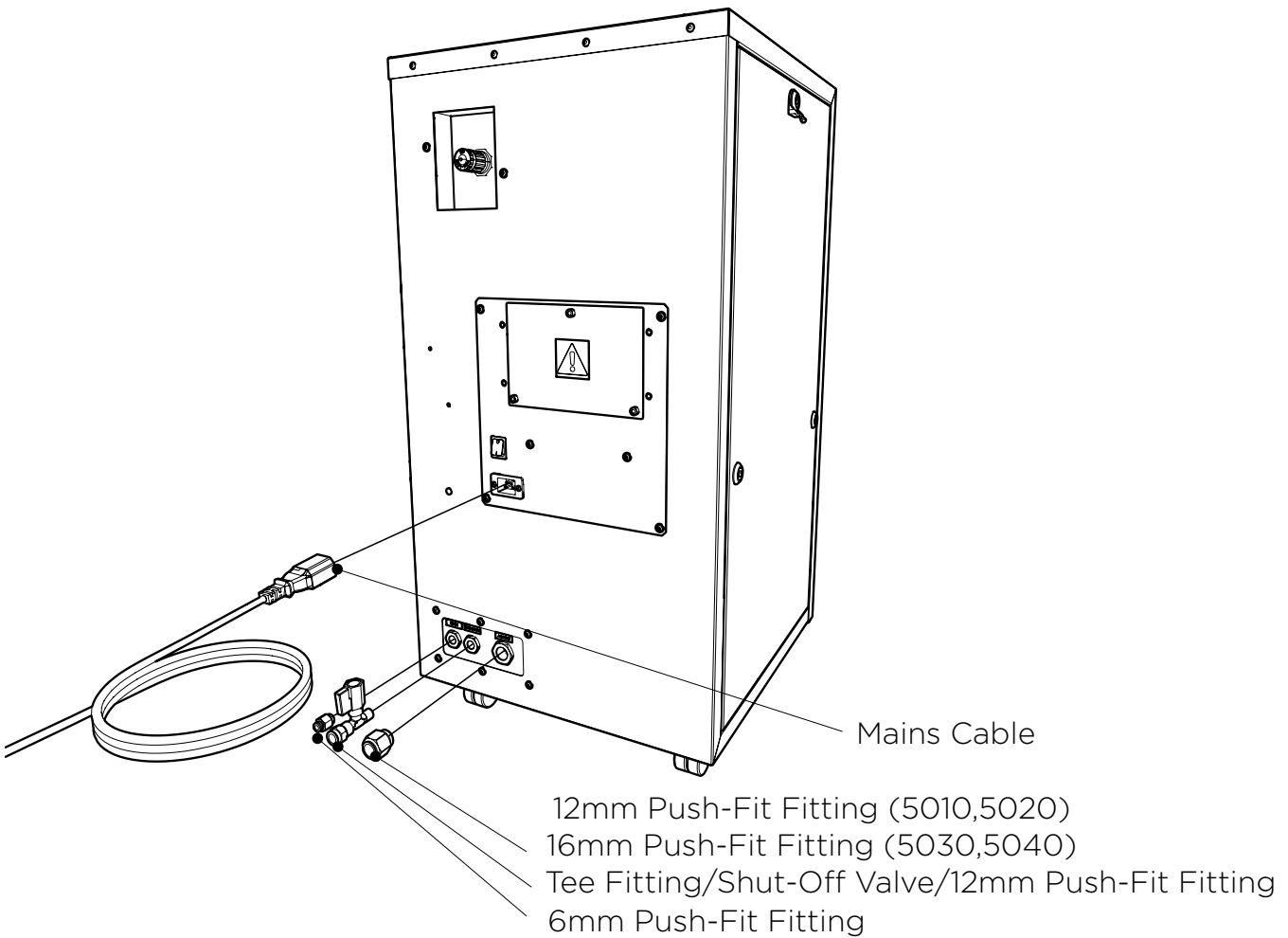
Generator Overview

General Dimensions



The generator must always be placed on a flat, level surface. Failure to do so will affect the performance of the generator.

Rear Connections



Inlet Air Quality

The Nitrogen Generator should be connected to a ISO 8573-1:2010 (1:4:1) source of compressed air. A minimum pressure of 60 psig is required for efficient operation of the Generator. Any doubts as to the suitability of your compressed air supply should be referred to the factory for advice.

A MAXIMUM OIL VAPOUR CONTENT OF 0.01 mg per m³ is PERMISSIBLE

Air Inlet and Nitrogen Outlet connections are at the rear of the generator in the middle right side of the panel. The Air inlet connection is the right port, 12mm Push-Fit Fitting (5010,5020) 16mm Push-Fit Fitting (5030,5040), Outlet port is 12mm Push-Fit Fitting



Ensure all inlets and outlets are connected to correct sources and applications”, “All Connections should only be carried out by trained personnel”, “Generator must be switched off and unplugged prior to any cleaning or maintenance operations

Electrical Connection

Connect the generator to an appropriate 85-264 volt single-phase supply, refer to the generator serial plate for input specification and ensure your supply matches the requirements.

If the appropriate power cord is not supplied; a new plug, rated to at least 12 amps, can be fitted by a qualified electrician.

If an appropriate mains power cords is not supplied or a substitute one is used then ensure that all components of it the plug, cord and connector have adequate ratings for the generator and appropriate approvals for the country of use. Failure to do so could cause damage to the generator or risk overloading of the power cord



This unit is classified as SAFETY CLASS 1. THIS UNIT MUST BE EARTHED. Before connecting the unit to the mains supply, please check the information on the serial plate. The mains supply must be of the stated AC voltage and frequency.

EARTH/GROUND (E):-	Green & Yellow	or	Green
LIVE (L):-	Brown	or	Black
Neutral (N):-	Blue	or	White

Electrical Panel Access



Changing settings within this enclosure may adversely affect the operation of the generator. This enclosure should not be accessed unless by or under direct instruction from a trained individual.

Normal Operation

The Infinity XE 50 Series Gas Generators are designed specifically to minimize operator involvement. Given that the systems are installed as described in earlier sections and is serviced in accordance with the specified maintenance recommendations (see Service Requirements), then it should simply be a matter of turning the Generator on when it is required.

The Generator will automatically produce the factory set flow and pressure as detailed in the Technical Specifications.

On Demand Gas

The generator will produce nitrogen on demand. If the application is operating and requires a gas flow, the system it is connected to will supply this to suit the requirements of the application. If the application requirement for gas stops, the system will also stop. If the demand from the application starts again, the system will detect the demand for gas and will automatically start again to suit the demand.

Eco Mode

When demand from the instrument is below 1.2L/min the Infinity XE generator will stop demanding air from the external compressor. If demand from the application starts again, the system will detect the demand for gas and will automatically start up again.

Commissioning

With the generator installed as previously described, connect the application to the Nitrogen output port and open the air supply to the unit. On reaching operational pressure the generator will produce Nitrogen at the customer-specified purity. The design of the generator is such that it will deliver up to the rated output flow of Nitrogen, determined by demand of the consuming equipment. Rated flow, purity and pressure are customer-specific and dependent on inlet conditions being met as detailed on the individual generator

The design of the generator is that it will deliver variable purity dependant on the inlet pressure and outlet flow rate. Outlet pressure may be adjusted by the pressure regulator on the rear of the unit, allowing for up to 20 psi pressure drop across the system. Should the demand for the nitrogen stop, the generator will automatically go into "eco-mode" (refer to page 18), shutting off the air inlet. Once the demand restarts the generator automatically resumes producing Nitrogen. The generator is protected from over pressurising.

Tubing Lengths



The diameter of the tubing which will be connected to the gas outlet is important and is determined by the length of tubing required. Failure to follow these recommendations could lead to pressure between generator and application.

> 10 - 40 meters: Use 12/10 (12mm O/D, 10mm I/D) Tubing.

> 40 metres: Please contact Peak Scientific with the relevant distance and we will calculate the flow resistance and the tubing size required.

The imperial equivalents are: 12/10 = 1/2" O/D, 3/8" I/D.

Air input tubing for 5030 & 5040 is not supplied. 16mm OD, 12mm ID PTFE Tubing is recommended.

Service Requirements

Service Schedule

Purchase Interval	Component	Visit
12 Months	Infinity XE 50 Series Annual Maintenance Kit	www.peakscientific.com/ordering


Peak Protected

With Peak Scientific you invest in not only a product but peace of mind. With a network of certified Peak engineers stationed throughout the globe, Peak's rapid response team are never far away and our commitment is to keep your generator running day in, day out, protecting your laboratory workflow.

[Peak Protected] can provide...



Installation
A dedicated Peak engineer will visit your lab to install and setup your generator



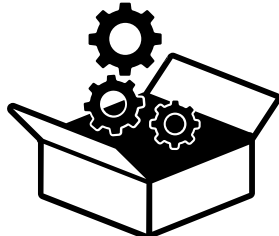
Complete plan
Swift response by a Peak Service Engineer within 72 hours & planned preventative maintenance



Premium Protected
Guaranteed rapid on-site response within 24 hours & planned preventative maintenance



IQ/OQ
Certified assurance for applications requiring documented qualification



Spares
Genuine Peak parts with express delivery, ensuring optimal performance and lifetime



Technical Support Hotline
Around the clock support by phone or online with our global technical helpdesk

To find out more about protecting your investment visit: www.peakscientific.com/protected

Cleaning

Clean the outside of the generator only using warm soapy water and a clean damp cloth. Ensure all excess fluid is thoroughly removed from the cloth prior to use.



Cleaning should only be undertaken with the power switched off and the power cord removed from the rear of the generator.



Under no circumstances should any solvents or abrasive cleaning solutions be used as these can contain fumes that could be harmful to the generator.



Care should be taken with Leak Detections Liquids.

Safely Isolated Condition

The unit is in a safely isolated condition when it is disconnected from its application and fully de-pressurised. Directions for isolating the Generator are shown below.



Failure to place the Generator in a safely isolated condition when instructed to do so may lead to personal injury or injury to others and even death.



1. Switch generator off.
2. Disconnect from air supply.
3. Ensure the output pressure gauge reads zero. (If gauge does not fall to zero, open the manual ball valve at the outlet port, to allow trapped gas to escape.)
4. Disconnect from the application.

Safe State After Repair

To guarantee the generator is in a safe state after a repair, please ensure the following conditions are met;

- All earth leads have been reconnected.
Earth leads should be connected to the earth tabs located on the door panels, as shown below.
- The electricity cable has been correctly refitted.
The mains cable should be plugged into the IEC power inlet located on the rear panel of the generator. **This unit is classified as SAFETY CLASS 1. THIS UNIT MUST BE EARTHED.**

Troubleshooting

Problem	Possible Solution
<p>The Generator will not switch on and the power switch does not illuminate.</p>	<ul style="list-style-type: none"> • Ensure power cord is plugged into the Generator and that the power socket is turned on. • Check the fuse in the power cord plug. • Contact your service provider. 
<p>The Generator will not switch on but the power switch is illuminated.</p>	<ul style="list-style-type: none"> • Disconnect power cord from the rear of the Generator. Open the left hand panel are check that the circuit breaker is turned on (switch in the up position). Reconnect power cord. • Contact your service provider. 
<p>The output pressure has dropped below its original set point.</p>	<ul style="list-style-type: none"> • Check the pressure regulator at the back of the unit has not been adjusted. • Check to see if the inlet pressure gauge has dropped below the set air supply pressure. • If so, check your air supply does not have a pressure drop over the length of tubing and has no leaks. • Contact your service provider.

Go Online or Complete and Return

We know that registering any of your recently purchased products is not the first thing on your mind- but it is very important to both of us. Not all warranties are alike and Peak Scientific stand out against other gas suppliers as we offer a comprehensive, quick response, on-site warranty. This means that in the very unlikely case that your gas generator develops a fault we have rapid support teams on-hand around the world who are able to come to your lab and get you back up and running in no time.

Register for your **comprehensive 12 month on-site warranty** with ease online at www.peakscientific.com/protected.

Alternatively, you can send the completed form to Peak Scientific by post or email at warranty@peakscientific.com.

Go Online or Complete and Return

You can register for your FREE 12 month Warranty with ease online at www.peakscientific.com/protected.

Alternatively, you can send the completed form to Peak Scientific by post or email at warranty@peakscientific.com.

Product Warranty Registration			
Contact name			
Email address			
Company			
Address			
City/town			
Postcode			
Country			
Telephone			
Generator serial #			
Model type			
Installation date			
Do you still use an alternative gas solution i.e. cylinders or bulk liquid?	Yes	No	
What gas requirements do you have in your lab?	Hydrogen	Nitrogen	Zero Air

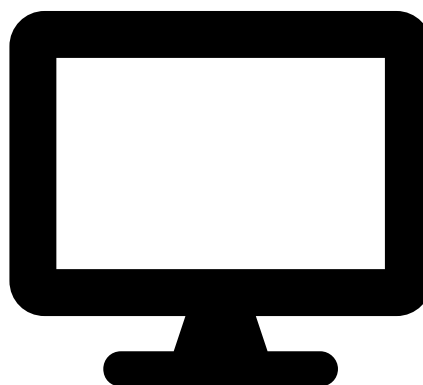
Extend your cover with

Peak Scientific offer comprehensive gas generator after sales support packages. Peak [Protected] aftercare support can guarantee an on-site response within 72 hours*, genuine parts from our ISO9001 approved factory and a 95% first-time fix rate. See our enclosed Peak [Protected] leaflet for further information.

Important!

You have 1 month to register your Peak Scientific product from the date of installation. Once registered the warranty will be honoured for a period of 12 months. If you wish to defer the installation of your generator, you must notify Peak Scientific immediately by emailing warranty@peakscientific.com. For generators that remain unregistered after 1 month from the shipment date, the warranty will be considered active from the date of factory dispatch.

* Complete Plan only



Important!

You have **1 month to register** your Peak Scientific product from the date of installation. Once registered the warranty will be honoured for a period of 12 months. If you wish to defer the installation of your generator, you must notify Peak Scientific immediately by emailing warranty@peakscientific.com. For generators that remain unregistered after 1 month from the shipment date, the warranty will be considered active from the date of factory dispatch.

Supported Maintenance Plan

Introduction

The following is a guide for maintenance of the Infinity XE 50 series as provided for by the Peak Service Plan.

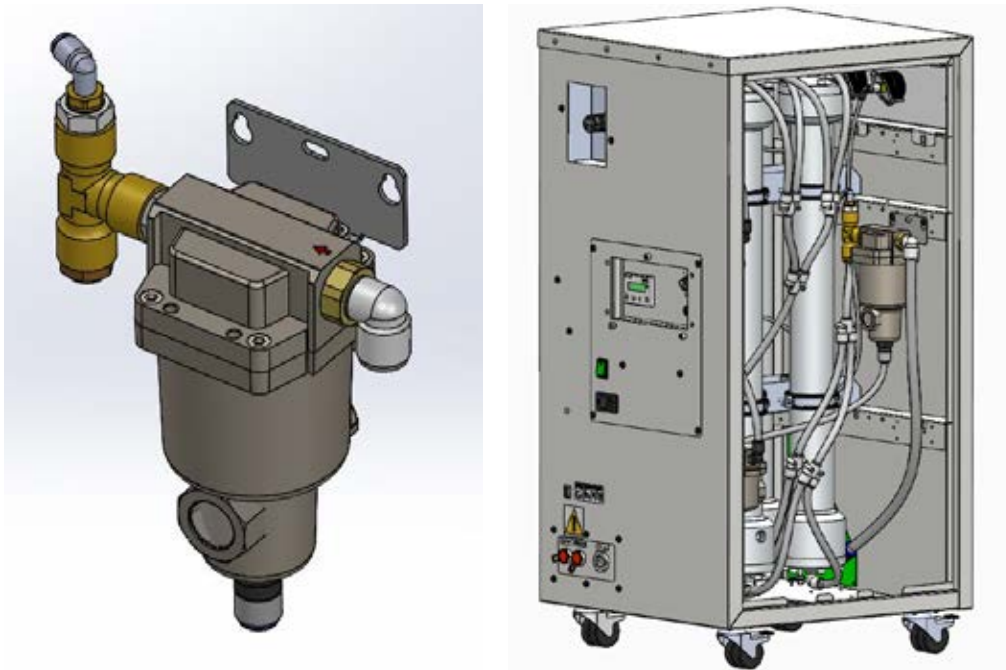
This procedure is to be performed on an annual basis

1. Check that the customer's application is not in use and that it is OK to disconnect the Gas Supply. Check that the Gas Demand is turned OFF.
2. If possible, shut OFF the customer's air supply to the unit. Turn the Generator OFF.
3. Turn the red ball valve at the N2 output to release all pressure between the generator and the customer's application and disconnect once fully depressurised. Check depressurisation with the gauges on the front of the generator.
4. Remove the side panels and disconnect the earth tabs.

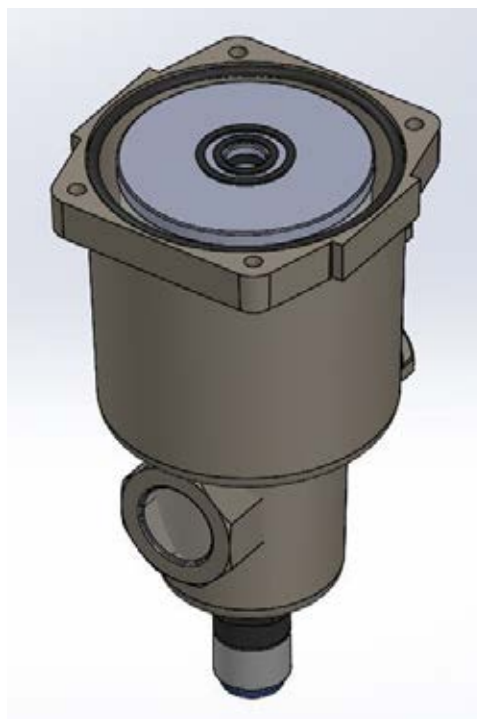


Stage 1 filtration - 0-01µm Particulate

5. Remove the four M5 bolts on the top of the filter using the 5mm hex key.

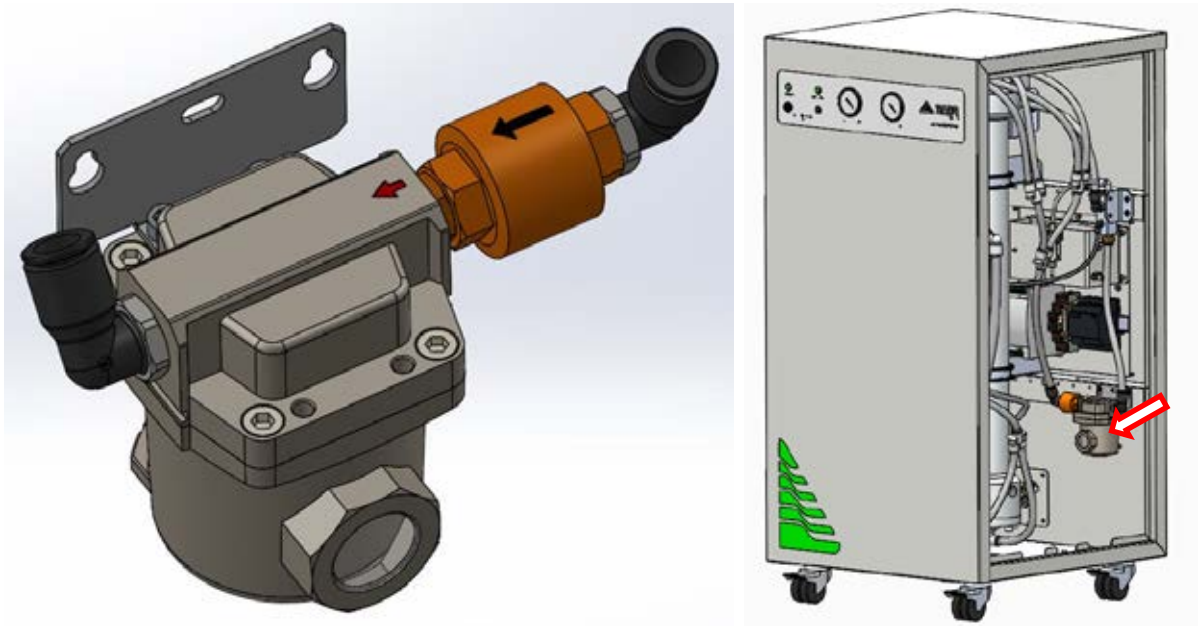


6. Remove the bowl from the filter assembly and replace the filter element 3300301. Reverse steps 5 to reassemble.



Stage 2 filtration - Active Carbon

7. Remove four M5 bolts on the top of the filter using the 5mm hex key.



8. Remove the bowl from the filter assembly and replace the filter element 3300302. Reverse steps 7 to reassemble.



9. Attach the side panels to the generator. **ENSURE EARTH TABS ARE RE-ATTACHED.**
10. Carefully open the customer's air supply to the generator.
11. Reconnect to the customer's unit and turn the Generator ON.

Service Parts List

Service parts Infinity XE 50 Series

Service	Component	Part No.	Qty.
12 months	Element, filter 0.01 µm	3300301	1
12 months	Element, filter active carbon	3300302	1

As an alternative to purchasing the 12 month service items individually an Annual Service Kit is available as one part number. This contains all the filters required for this Generator and offers a costs saving over buying the components separately.

Purchase interval	Component	Part No.	Qty.
12 months	Infinity XE 50 Annual Service Kit	3300317	1

[**PEAK Protected**]TM

Peak Scientific has highly trained, fully certified Field Service Engineers located in over 20 countries across every continent around the world. This allows us to provide an industry-leading rapid response service to our customers. With [**Peak Protected**], your laboratory's productivity becomes our top priority.

To discuss Peak Protected generator cover and payment options speak to your local Peak Representative or for further information contact: protected@peakscientific.com

Peak Scientific
Fountain Crescent
Inchinnan Business Park
Inchinnan
PA4 9RE
Scotland, UK
Tel: +44 141 812 8100
Fax: +44 141 812 8200

For further information on any of our generator products please contact marketing@peakscientific.com

