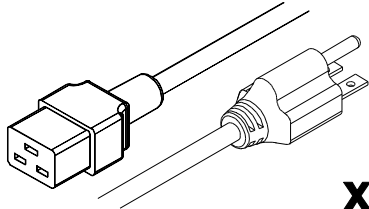
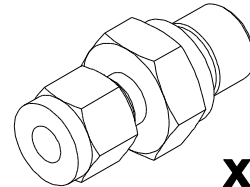


Installation Guide – FUSION 1010 Generator

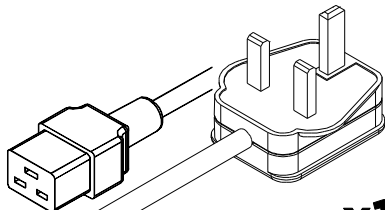
FITTINGS KIT



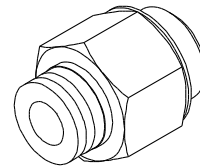
x1
US Mains Cable C19 6-15 04-1024



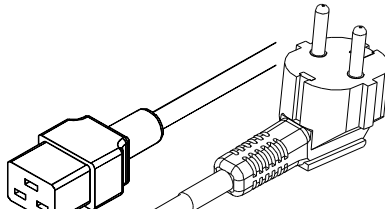
x2
1/4" Compression Fitting 02-1000



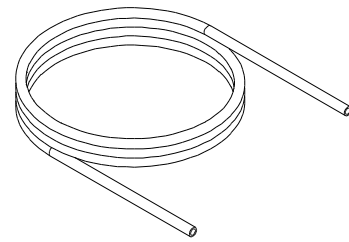
x1
UK Mains Cable C19 04-1025



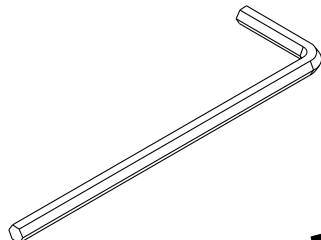
x1
1/4" - 6mm Push Fit Fitting 02-4326



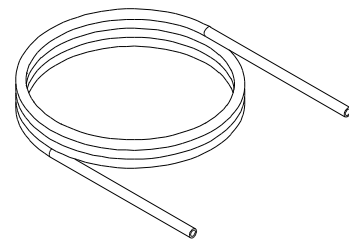
x1
EU Mains Cable C19 04-1026



x3m
6mm PE Tubing 00-1292



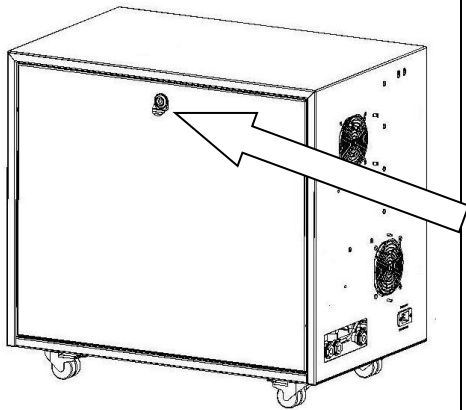
x1
8mm Hex Key 00-0007



x3m
1/8" Copper Tubing 00-1299

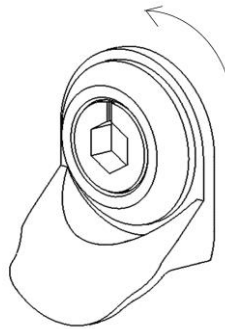
INSTALLATION

1.



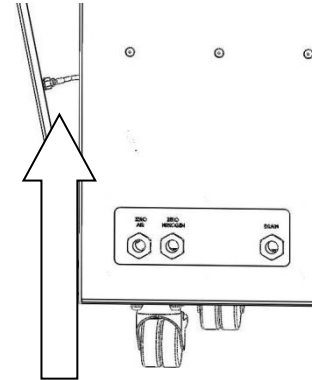
Unpack the generator from the shipping crate and place on a flat surface. To remove the transit bracket, firstly remove the RH side panel.

2.



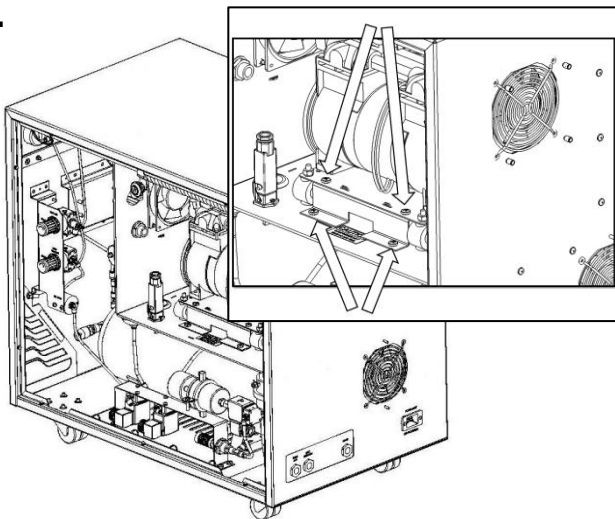
Using the 8mm Hex-Key provided in the fittings kit, turn the lock 90° to the left.

3.



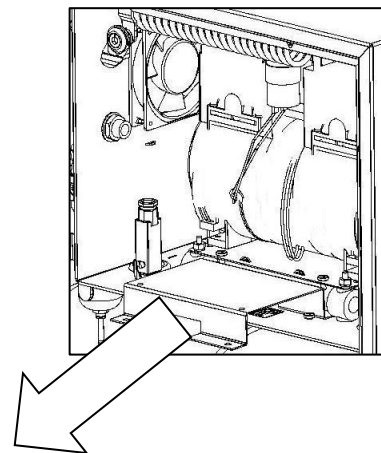
An earth lead is connected to the inside of the panel. This can be removed by pulling it off the spade connector on the door.

4.



With the RH side panel removed you now have access to the transit bracket. This is located under the compressor and is painted red. To remove the transit bracket remove the 4 screws indicated.

5.

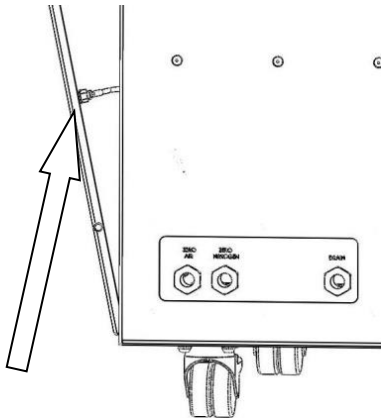


Once these screws have been removed the transit bracket can be pulled out.

****NOTE****

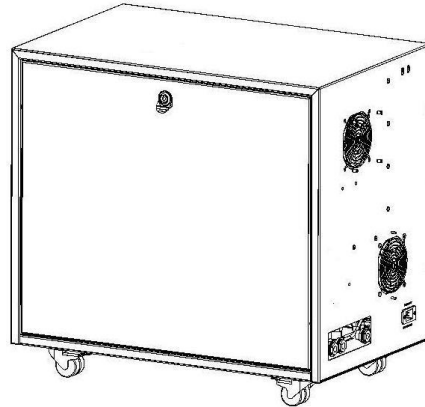
Do not discard the transit brackets or screws as these will be needed again if the unit is to be transported from its current location.

6.



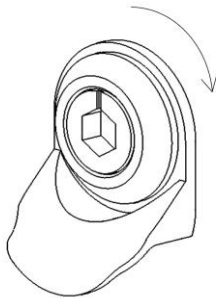
Re connect the earth connection by pushing the spade connector onto the spade terminal as shown.

7.

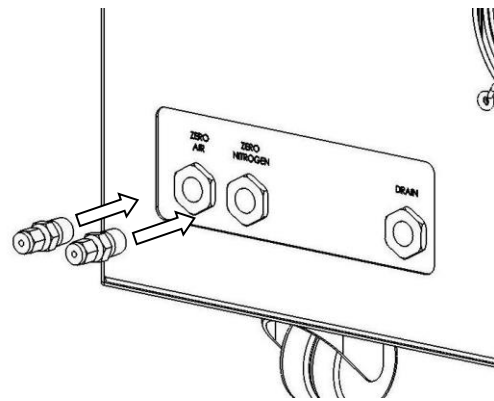


Place the door panel in position

8.

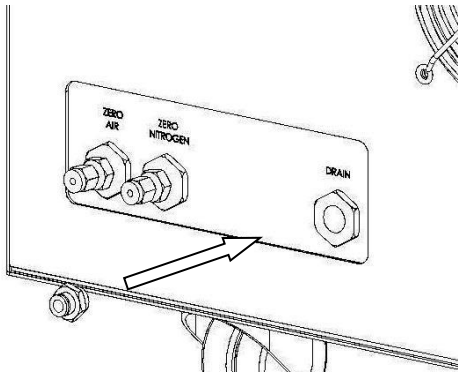


The locks are secured by turning the lock 90° to the right using the hex key provided.



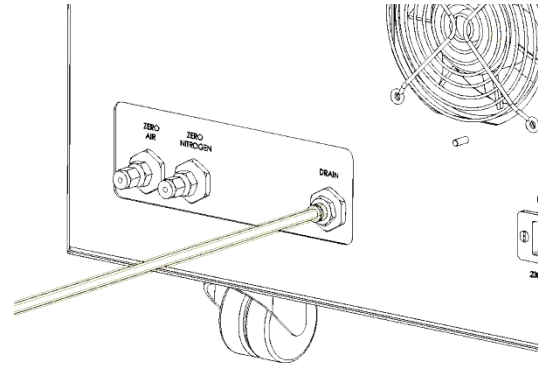
From the fittings kit, take each 1/4" compression fitting and insert in the Zero Nitrogen and Zero Air ports. It is recommended that PTFE tape is applied to the thread to ensure a leak-tight fit.

9.



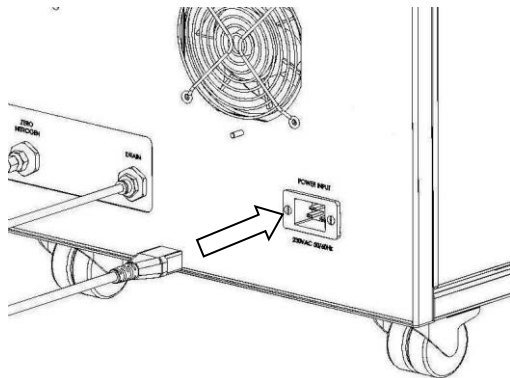
From the fittings kit, select the 6mm push-fit fittings and connect it to the outlet port marked '**DRAIN**' on the rear of the unit using a 16mm or 5/8" spanner.

10.



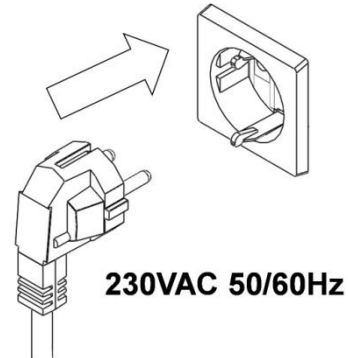
Connect the 2m Nylon tube to the drain line, ensure the tube is pushed fully in and gripped securely by the fitting. Fit the other end of the drain line to a suitable drain connection or container. The container must **NOT** have an airtight seal as water and air will be expelled periodically under a slight pressure.

11.



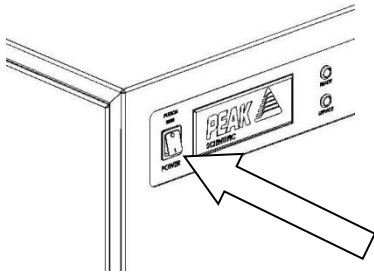
Select the appropriate mains cable from the fittings kit and plug the IEC 60320/C19 socket into the mains input at the rear of the generator.

12.



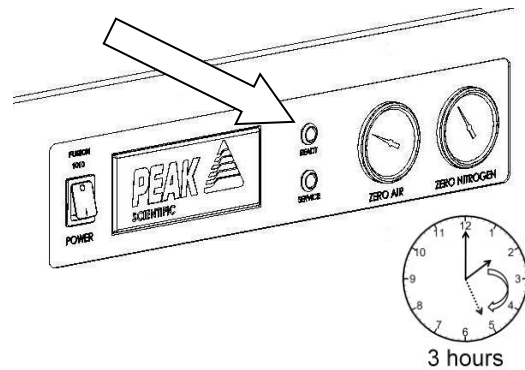
Plug the mains cable into an appropriate 230VAC 50/60Hz single phase power supply

13.



With the mains plug connected and mains power on, switch on the generator at the front panel.

14.

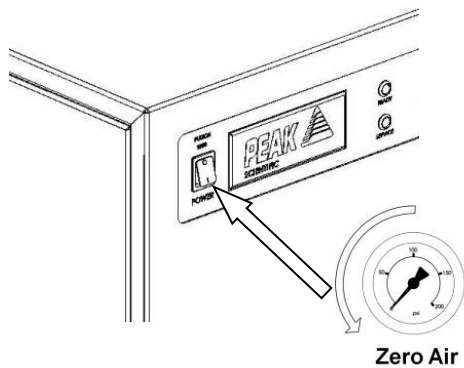


The green ready LED will pulse throughout its start-up procedure. The fascia panel will indicate an increase in pressure after 25 minutes. Start-up completion is indicated by a solidly illuminated green ready LED. This will take up to 3 hours.

****NOTE****

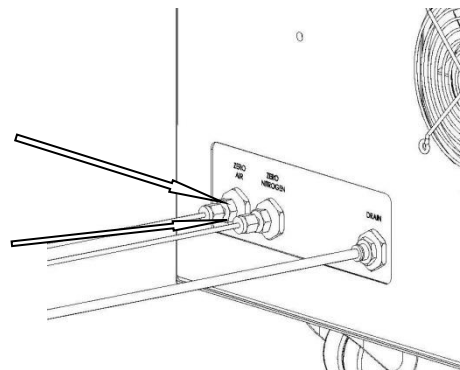
The generator must be allowed to complete its start up procedure, as per step 14. This time should be utilised by connecting suitable fittings to the application. However, do not connect the generator at this time.

15.



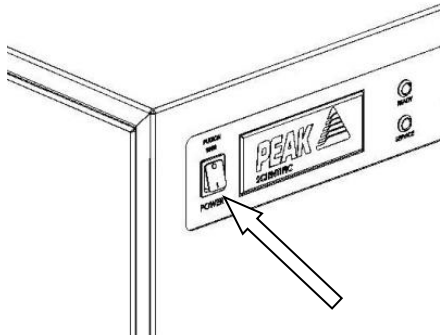
After completion of the start-up procedure, switch the generator power **OFF** at the switch on the front panel. The Zero Air pressure should be allowed to dissipate before proceeding.

16.



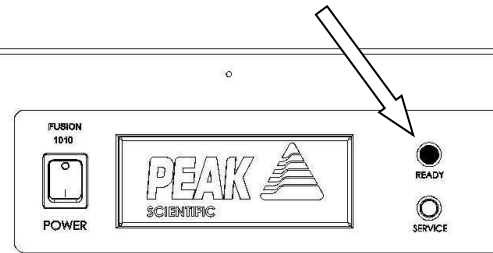
Connect the 1/8" copper tube to the Zero Nitrogen and Zero Air compression fittings. The other ends should be connected to the correct inlets of the application.

17.



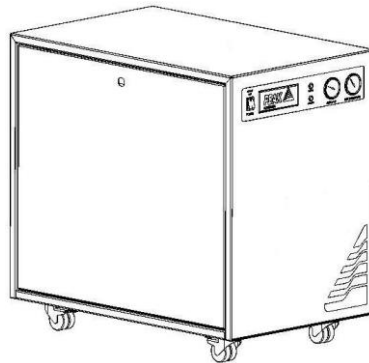
Switch the generator power **ON** at the switch on the front panel.

18.



After several minutes the generator will indicate it is ready for use with a solid green ready indicator. Ensure all external fittings are leak tested.

19.



CONGRATULATIONS

Your **PEAK SCIENTIFIC** gas generator is now fully installed, operational and ready to supply gas on demand to your instrument.

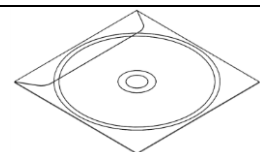
General Notes

* The generator will operate on voltages of 230VAC +/- 10%. This means it will operate between 207V and 253V. If the generator is operated on a supply voltage of less than 220V the internal compressor will work harder and the service life of the compressors will be reduced. It is ok to operate the generator on a mains voltage between 207V and 220V for a short period of time, however we would recommend fitting the transformer, detailed below, at your earliest convenience. Mains voltages between 220V and 253V no transformer is required.

The Transformer can be ordered directly from Peak Scientific, Peak part number is...

06-3200 – Dual Tap Transformer 200V – 230V

For all other technical specifications, operating instructions, service requirements, contact details and trouble shooting, please refer to the user manual contained on the CD supplied in the fittings kit. Please keep this for future reference.



Product Warranty Registration

IMPORTANT

On completion of the installation of a new Gas Generator, please complete this form to notify Peak Scientific of the **generator location** and **installation date** which will start the generator's warranty period.

If this form is not returned to Peak Scientific, then the Generator Warranty is for the lesser period, of **twelve months** from the **date of delivery**, or **thirteen months** from the **date of dispatch** from the factory.

To register your generator and guarantee Warranty entitlement, send the completed form to Peak Scientific by:

- Email to marketing@peakscientific.com
- Phone to +44 141 530 4185
- Fax to +44 141 812 8200
- Or register online at: <http://www.peakscientific.com/service-and-support/warranty-registration>

PRODUCT WARRANTY REGISTRATION	
Company:	CONTACT Name:
Address:	
	Email Address:
CITY/TOWN:	Generator Serial Number:
POSTCODE:	
Country:	Model Type: FUSION 1010
Telephone:	Installation Date (DD/MM/YYYY):