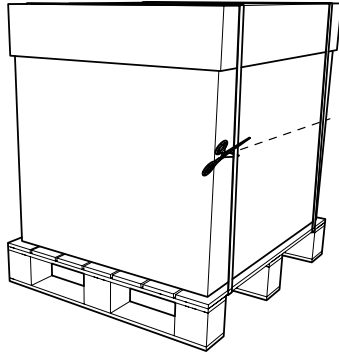


# Genius XE Series (All Models)

## Unpacking Instruction

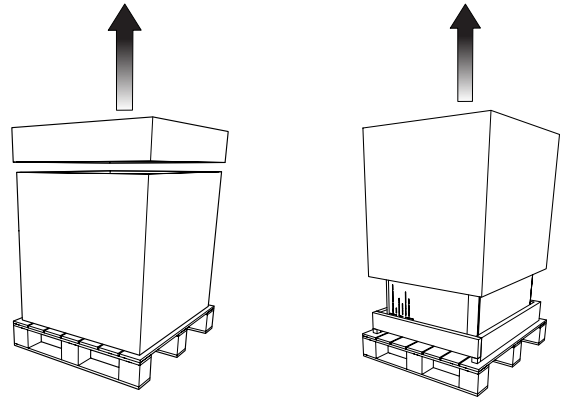
Please note, the unpacking process requires 2 people 🧑🧑

1.



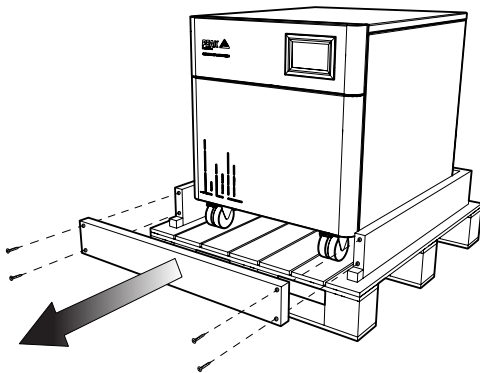
Cut the plastic strapping and **remove**.

2.



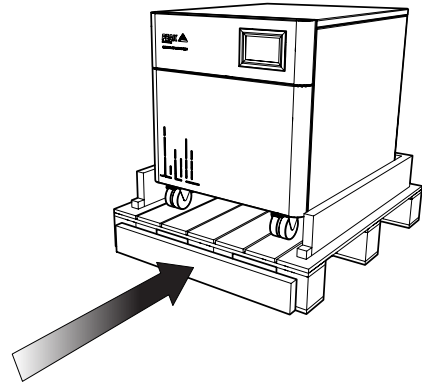
**Remove** cardboard lid, protective foam packaging and cardboard sleeve. **Remove** the plastic covering the generator.

3.



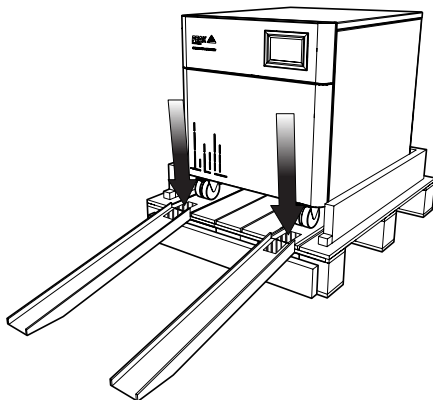
**Remove** the four screws shown, these will be marked in red and **remove the front bar**.

4.



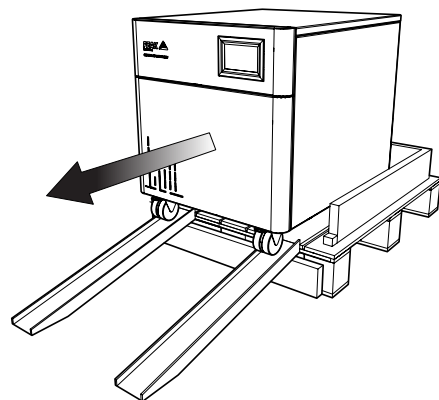
**Place** the front bar against the front of the pallet. **Failure to complete this step can cause damage to the generator.**

5.



**Attach** the ramps to the front of the pallet using the hook and loop straps. Ensuring they are aligned with the wheels.

6.



Release the brakes and **carefully manoeuvre Generator** down the ramps and into final position.

Important information on **reverse side**. →

# ATTENTION

**Register product to  
operate and activate  
2 year **comprehensive  
on-site** warranty**

