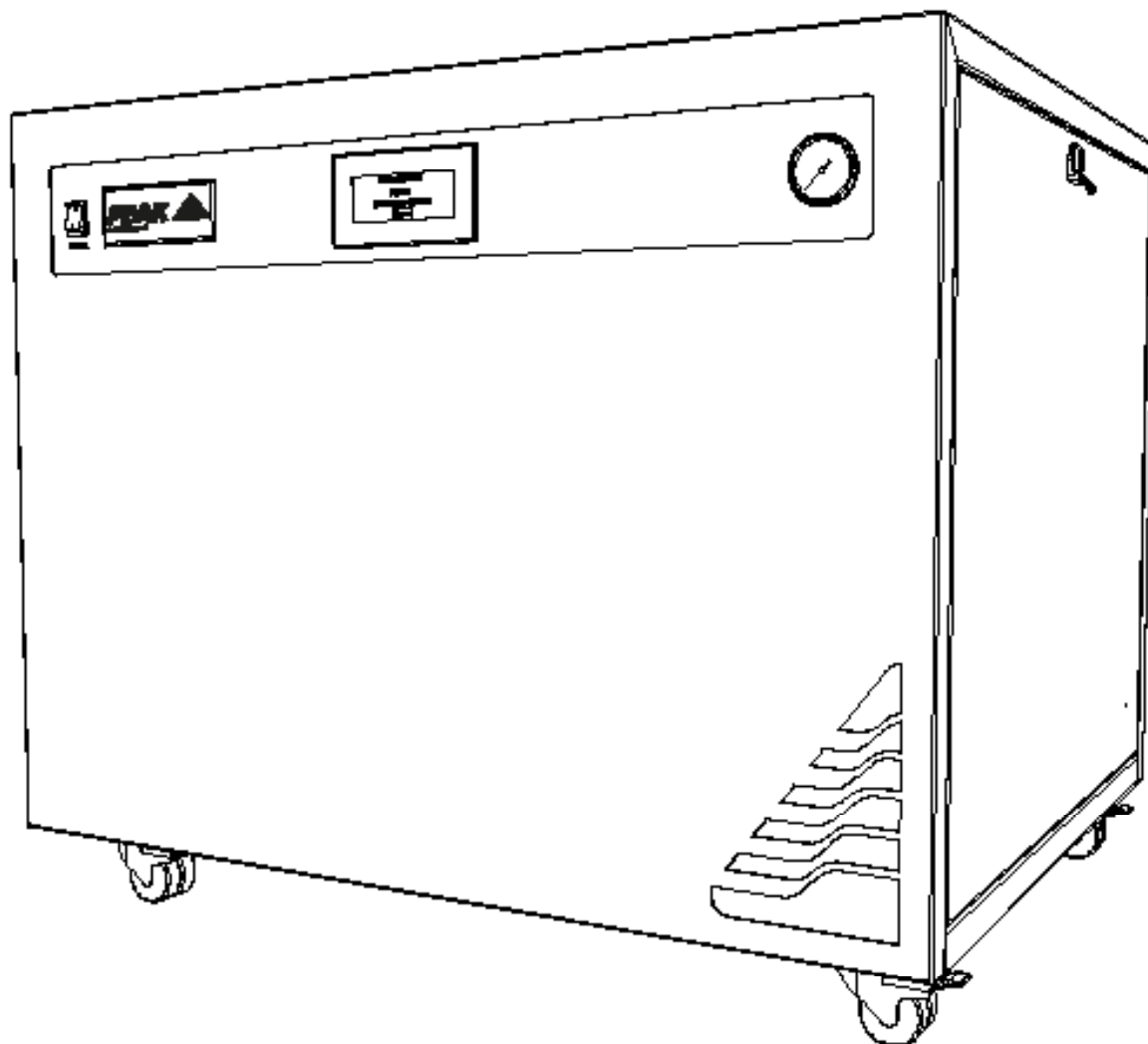


# Genius NM-3G

User Manual



# Contents

Change History	3
How to use this Manual	3
Introduction	4
Warranties and Liabilities	5
Warranty & Liability Coverage	5
Safety Notices	7
Symbols	7
Safety Notice to Users	7
EU Declaration of Conformity	8
UK Declaration of Conformity	9
WEEE Compliance Statement	10
Technical Specification	11
Genius NM-3G	11
Unpacking	12
Fittings Kit Contents	13
Installation	14
Generator Environment	14
Generator Overview	15
General Dimensions	15
Rear Connections	16
Electrical Connection	17
Start-Up Sequence	18
Normal Operation	19
On Demand Gas	19
Generator Cycling	19
Unusual Operation	19
Fault Warning	20
Connecting to the application	21
Tubing Lengths	21
Service Requirements	22
Service Schedule	22
Peak Protected	23
Cleaning	24
Troubleshooting	25

## Change History

Rev	Comment	Name	Date
1	Initial release	L. Couttie	20/04/2017
2	Declarations Update	L. Couttie	18/11/2021

## How to use this Manual

This manual is intended for end users and has been written as a reference document where you can skip to the relevant information.

Users can refer to the contents page to find the relevant information.

Please review each of the following sections carefully.

Thank you for selecting Peak Scientific to meet your gas generation needs, and should you require any further assistance or support please do not hesitate to contact Peak Scientific or the Peak Partner from which you purchased your generator.

# Introduction

The Genius NM-3G nitrogen generator is designed specifically for use with any LC/MS instrument. This premium model offers safeguards that are unique to Peak Scientific generators and effectively deliver reassurance and confidence for critical functions.

This model provides a source of nitrogen gas with other features including:

- Reassurance - Designed with back-up compressor capacity
- Fail-Safe - Continuous operation to allow for scheduled maintenance
- Confidence - Designed and built around extensive tried and tested processes.
- Intelligent - High duty service indicator
- Independant - No external compressor required
- Quiet - Insulated compressor compartment for minimum disruption
- Mobile - Flexibility to position the generator where required
- Simple installation - Generator designed as a plug and play system
- Economical - More cost effective than any other gas supply method
- Convenient - Gas on demand, no hazards, no need to worry about running out of gas

The Genius NM-3G is based on proven technology, and selectively removes oxygen, moisture and other gases to leave clean, dry, phthalate free nitrogen. Internal air compressors make this unit independent from in-house air supplies and fitted castors allow the user to easily position the unit in the lab.

To ensure this Generator model meets our high expectations with regards to reliability and performance, we have tested it extensively at our manufacturing plant and with end users around the world to ensure reliability and longevity of the system.

# Warranties and Liabilities

## Warranty & Liability Coverage

1. Peak warrants that, subject to the provisions in this statement, purchased Peak generators, whether purchased directly from Peak or indirectly via an approved, certified and trained distributor or partner (referred to hereafter as a “Peak Partner”) will comply in all material respects with any specifications referred to in your customer order confirmation and, subject to installation and operational guidelines being followed as described in applicable product manuals, shall be free from any defects in quality of materials or workmanship for a period of one year from the date of installation, provided this takes place within 3 months of factory dispatch.
2. Where the purchased generator is from the Precision Hydrogen series, Peak further warrants that, subject to installation and operational guidelines being followed as described in applicable product manuals, the hydrogen cell shall be free from any defects in quality of materials or workmanship for a total period of three years (inclusive of warranty period specified in clause 1) from date of installation, provided this takes place within 3 months of factory dispatch.
3. Where the purchased generator is from the i-Flow 6000 series, Peak further warrants that, subject to installation and operational guidelines being followed as described in applicable product manuals, the generator shall be free from any defects in quality of materials or workmanship for a total period of two years (inclusive of warranty period specified in clause 1) from the date of installation, provided this takes place within 3 months of factory dispatch and the following provisions have also been met:
  - a. you must purchase a service plan, ensuring the generator is serviced by Peak or a Peak Partner on or before the end of the first 12 months of your ownership, and serviced at least once during each subsequent 12 month period thereafter;
  - b. the generator (and any associated equipment) must have been commissioned by Peak or a Peak Partner;
  - c. the feed air or inlet air supply to the generator must comply with ISO 8573-1:2010 Class 1.2.1 at all times;
  - d. your air compressor, dryer, filtration and oil removal systems must be deemed suitable for use by Peak or a Peak Partner, and must be changed and serviced regularly, in line with the equipment manufacturer’s recommended guidelines; and
  - e. any generator failure or fault that is deemed to have been caused by the failure of any upstream equipment, component, part or system (such as air compressor, air treatment or filtration) will be excluded from the warranty described herein.
4. Peak also warrants that any replacement parts whether purchased (directly from Peak, or via a Peak Partner) or supplied as part of any remedial action undertaken in line with the provisions of clauses 12 and 13, shall be free from any defects in quality of materials or workmanship for a period of 180 days from the date of factory dispatch, provided its installation is performed by Peak or a Peak Partner.
5. This warranty does not exclude Peak’s liability in respect of any claim for death or personal injury to any person, in so far as such can be attributed to negligence or breach of duty of care directly resulting from failure of Peak to comply with the provisions in clauses 1, 2, 3 & 4.

## Exclusions & Limitations

6. This warranty does not cover:
  - a. damage, deterioration or malfunction resulting from an alteration or modification to a generator which has not been carried out by Peak or a Peak Partner;
  - b. damage, deterioration or malfunction resulting from what Peak reasonably believes to be abuse, or misuse of a generator by you or any third party;
  - c. liability for accident or neglect (other than pursuant to clause 5);
  - d. maintenance or repairs which have not been carried out by Peak or a Peak Partner;
  - e. operation of a generator or exposure of a generator to environmental conditions that fall out-with operational guidelines as specified in the applicable product user manual; and
  - f. lightning, power surges or any other acts of God or nature.
7. This warranty is non-transferrable. Only the original owner of the generator may benefit from the terms within this statement.
8. Peak shall not be liable in respect of any claim made for costs, damages, losses or expenses (whether

consequential, direct, indirect or otherwise) or in any respect howsoever arising including, but not limited to, liability from accident or negligence (other than pursuant to clause 5) that may be suffered by you or any third party.

9. No person or entity is authorised to change the terms and conditions outlined in this warranty statement in any respect, or to create any additional obligations or liabilities for any party involved.
10. This warranty statement supersedes any and all prior warranty agreements between the parties and constitutes the complete, final and exclusive understanding of the parties with respect to the subject matter. All prior negotiations, representations, or promises, whether oral or written, of either party shall be deemed to have been merged herein.
11. If any part of this warranty statement is invalidated, for whatever reason, such part will be deleted and the rest shall remain unaffected, continuing to be in full force and effect.

### **Delivery of Warranty Service**




12. Subject to clause 13, and:
  - a. Peak being notified by you, within the duration of the applicable warranty period, of any defect that you think is subject to any warranty valid under clauses 1, 2, 3 or 4; and
  - b. Peak being permitted to inspect the generators, parts and their installation (along with any relevant packaging)  
Peak shall at its option repair or replace defective generators or parts (including, if necessary, any moving parts and irrespective of runtime). No additional charges will apply, for parts or delivery and, where applicable, labour or travel. Peak will endeavour to deliver this service within 3 working days of your notification.
13. Where, in Peak's reasonable opinion, a defect is subject to an exclusion described in clause 6, Peak reserves the right to charge for parts or delivery and, where applicable, you may also be charged by Peak for call out, labour or travel in respect of any repair or replacement which you authorize Peak to carry out.

# Safety Notices

Peak Scientific Instruments cannot anticipate every possible circumstance which may represent a potential hazard. The warnings detailed within this manual refer to the most likely potential hazards, but by definition cannot be all inclusive. If the user employs an operating procedure, item of equipment or a method of working which is not specifically recommended by Peak Scientific, the user must ensure that the equipment will not be damaged or become hazardous to persons or property.

## Symbols

This manual uses the following symbols to highlight specific areas important to the safe and proper use of the generator.

 WARNING	A WARNING notice denotes a hazard. It calls attention to an operating procedure, process or similar, which if not correctly performed or adhered to, could cause personal injury or in the worst case death. Do not proceed beyond a WARNING notice until the indicated conditions are fully understood or met.
 CAUTION	A CAUTION notice denotes a hazard. It calls attention to an operating procedure, process or similar, which if not correctly performed or adhered to, could cause damage to the generator or the application. Do not proceed beyond a CAUTION notice until the indicated conditions are fully understood or met.
	Caution, risk of electric shock. Ensure power to the generator has been removed before proceeding.

## Safety Notice to Users



These instructions must be read thoroughly and understood before installation and operation of your Peak Generator. Use of the generator in a manner not specified by Peak Scientific MAY impair the SAFETY provided by the equipment.



When handling, operating or carrying out any maintenance, personnel must employ safe engineering practices and observe all relevant local health and safety requirements and regulations. The attention of UK users is drawn to the Health and Safety at Work Act 1974, and the Institute of Electrical Engineers regulations.



If the equipment is used in a manner not specified by the manufacturer, the protection provided by the equipment maybe impaired.

# EU Declaration of Conformity

We Peak Scientific Instruments Ltd.  
Of Fountain Crescent, Inchinnan, Renfrewshire, PA4 9RE

Hereby declare that, this declaration of conformity is issued under the sole responsibility of the manufacturer.

Equipment Type: Nitrogen Generator  
Model Designator: Genius NM-3G

To which this declaration relates, is in conformity with the following applicable EU Directives, harmonized standards, and other normative requirements.

- **Low Voltage Directive 2014/35/EU**  
EN 61010-1: 2010 Safety Requirements for Electrical Equipment for Measurement, Control and Laboratory Use.
- **Electromagnetic Compatibility Directive 2014/30/EU**  
EN 61326-1: 2013 Electrical Equipment for Measurement, Control and Laboratory Use - EMC Requirements. (Class A)
- **Restriction on the use of certain hazardous substances in electronic equipment (RoHS) Directive 2011/65/EU as amended by EU 2015/863.**

Signed for and on behalf of Peak Scientific by

Signed:



Name: Fraser Dunn

Position: Design Engineering Manager  
Peak Scientific Instruments Ltd,  
Inchinnan, Renfrew, Scotland, PA4 9RE, UK.

Date: 18th November 2021





# UK Declaration of Conformity

We Peak Scientific Instruments Ltd.  
Of Fountain Crescent, Inchinnan, Renfrewshire, PA4 9RE

Hereby declare that, this declaration of conformity is issued under the sole responsibility of the manufacturer.

Equipment Type: Nitrogen Generator  
Model Designator: Genius NM-3G

To which this declaration relates, is in conformity with the following applicable UK Statutory Instruments, Standards and other normative requirements.

- **The Electrical Equipment (Safety) Regulations 2016 (SI 2016 / 1101) as amended.**  
BS61010-1:2010 Safety Requirements for Electrical Equipment for Measurement Control and Laboratory Use.
- **The Electromagnetic Compatibility Regulations 2016 (SI 2016 / 1091) as amended.**  
BS61326-1:2013 Electrical Equipment for Measurement , Control and Laboratory Use - EMC Requirements.
- **The Restriction of the Use of Certain Hazardous Substances in Electrical and Electronic Equipment Regulations 2012 (SI 2012 / 3032) as amended.**

Signed for and on behalf of Peak Scientific by

Signed: 

Name: Fraser Dunn

Position: Design Engineering Manager  
Peak Scientific Instruments Ltd,  
Inchinnan, Renfrew, Scotland, PA4 9RE, UK.

Date: 18th November 2021



# WEEE Compliance Statement

The Waste Electrical and Electronic Equipment (WEEE) Regulations SI 2013 No 3113 and or the Waste Electrical and Electronic Equipment (WEEE) Directive 2012/19/EU apply to all electrical and electronic equipment placed on the market in the UK and EU covered by the scope of regulations which can be found in the Government Guidance Notes (PDF) produced by the Department for Business Innovation and skills for the UK and here for Europe.

All PEAK products that are subject to the WEEE directive are compliant with the WEEE marking requirement. Such products are marked with the “crossed-out wheellie bin” symbol (shown below) in accordance with European standard EN50419. All old electrical equipment can be recycled. Please do not dispose of any electrical equipment (including those marked with this symbol) in general rubbish bins. Please contact your dealer or distributor for clarity.



# Technical Specification

## Genius NM-3G

### Environment

Minimum Operating Ambient Temperature	5°C (41°F)
Maximum Operating Ambient Temperature	35°C (95°F)
Maximum Altitude	2000 m
Maximum Relative Humidity	70%
Minimum Storage Temperature*	-20°C (-4°F)
Maximum Storage Temperature*	60°C (140°F)

\* NOTE. When taken out of storage the generator should be allowed to acclimatize at room temperature for a minimum of 3 hours before operation

### Generator Outlets

Maximum Gas Output Pressure	6.9 bar (100 psi)
Maximum Outlet Flow Rate	32 L/min (1.13 cfm)
Particles	<0.01µm
Phthalates	NONE
Suspended Liquids	NONE
Gas Outlets	1 x ¼" BSPP
Drain Outlets	1 x ¼" BSPP
Pressure Gauges	1

### Electrical Requirements

Voltage	230 VAC ± 10%
Frequency	50/60 Hz
Current	9.5 Amps
Input Connection	C20 Plug
Power Cord	C19 socket to local connection (13A minimum)
Pollution Degree	2
Insulation Category	II

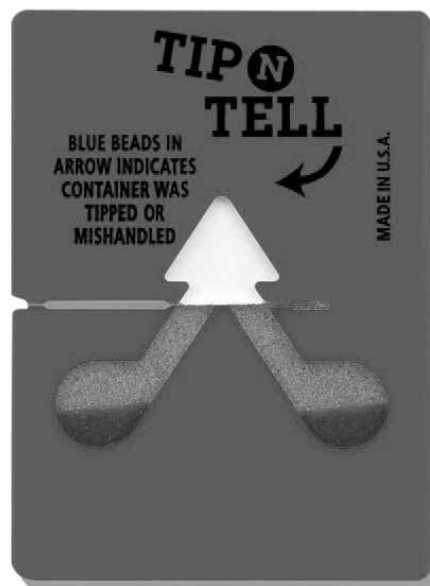
### General

Dimensions cm (inches) WxDxH	90 x 73 x 75.3 (35.4 x 28.7 x 29.6)
Generator Weight Kg (lbs)	162 kg (357lb)
Shipping Weight Kg (lbs)	217 kg (478lb)

# Unpacking

Although Peak Scientific takes every precaution with safe transit and packaging, it is advisable to fully inspect the unit for any sign of transit damage.

Check 'SHOCKWATCH' and 'TIP-N-TELL' labels for signs of rough handling prior to unpacking



**Any damage should be reported immediately to the carrier and Peak Scientific or the Peak Partner from where the unit was purchased.**

Follow the unpacking instructions posted on the side of the crate. It will require two people to remove the unit from the shipping crate and to manoeuvre the generator to the desired location.

Please save the product packaging for storage or future shipment of the generator.

Note: Included with the generator is a "Fittings Kit" containing mains power leads for UK, EU & US and also all the required fittings and warranty registration card. Be careful not to discard these with the packaging.

## Fittings Kit Contents

Supplied in the Fittings Kit are all the fittings required to connect the generator to the application. The contents of the Fittings Kit are as follows:

- |                              |      |
|------------------------------|------|
| 1. ¼" Teflon Tubing          | x 3m |
| 2. 6mm PE Tubing             | x 3m |
| 3. ¼" Compression Fitting    | x 1  |
| 4. 6mm Push Fit Fitting      | x 2  |
| 5. Flow Control Silencer     | x 1  |
| 6. UK Mains Power Cable      | x 1  |
| 7. EU Mains Power Cable      | x 1  |
| 8. US Mains Power Cable 230v | x 1  |
| 9. 8mm Hex Key               | x 1  |

All of the generators output ports are located on the output panel at the rear of the unit.

# Installation

## Generator Environment

The generator is designed for indoor use only. It should be installed adjacent to the application(s) it is supplying. If this is not convenient then the unit can be sited elsewhere, however, consideration should be made of the lengths of pipe runs as pressure drops can result from extended runs of pipe.

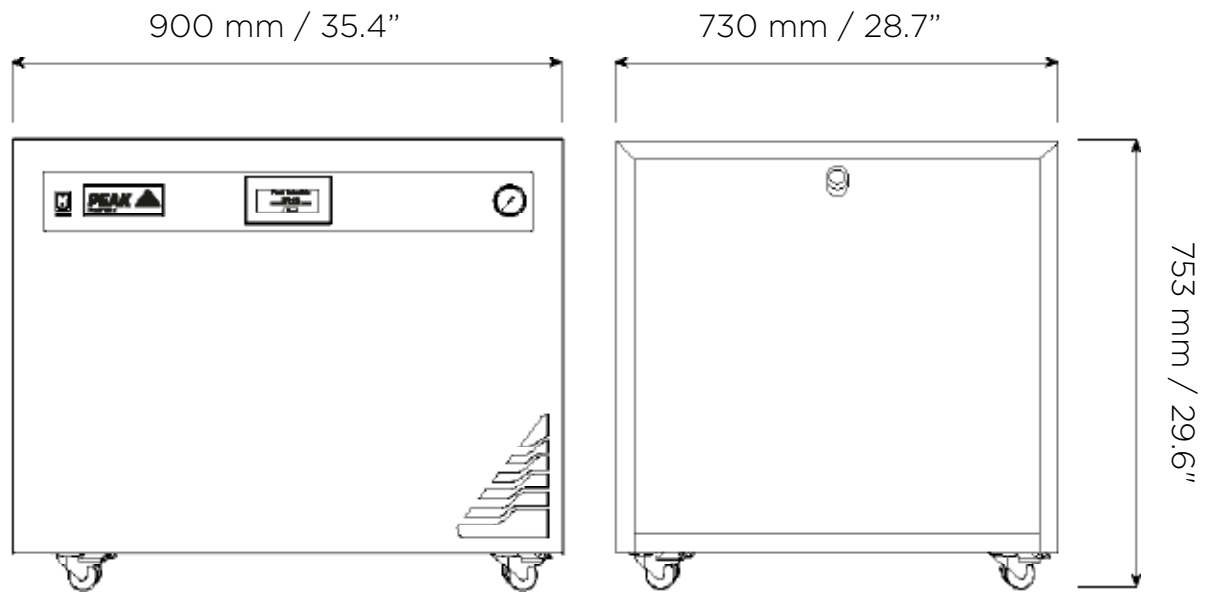
Performance of the generator (like all sophisticated equipment) is affected by ambient conditions. Note should also be taken to the proximity of Air Conditioning outlets. These can sometimes give rise to “pockets” of air with high relative humidity. Operation of the unit within such a pocket could adversely affect its performance. Consideration should also be given to the air flow around the unit. It is recommended that an air gap of 75mm (3”) should be maintained down both sides and at the rear of the unit. Please refer to the drawing below for the general dimensions of the unit.

Minimum Operating Ambient Temperature:        5 °C (41 °F)

Maximum Operating Ambient Temperature:        35 °C (95 °F)

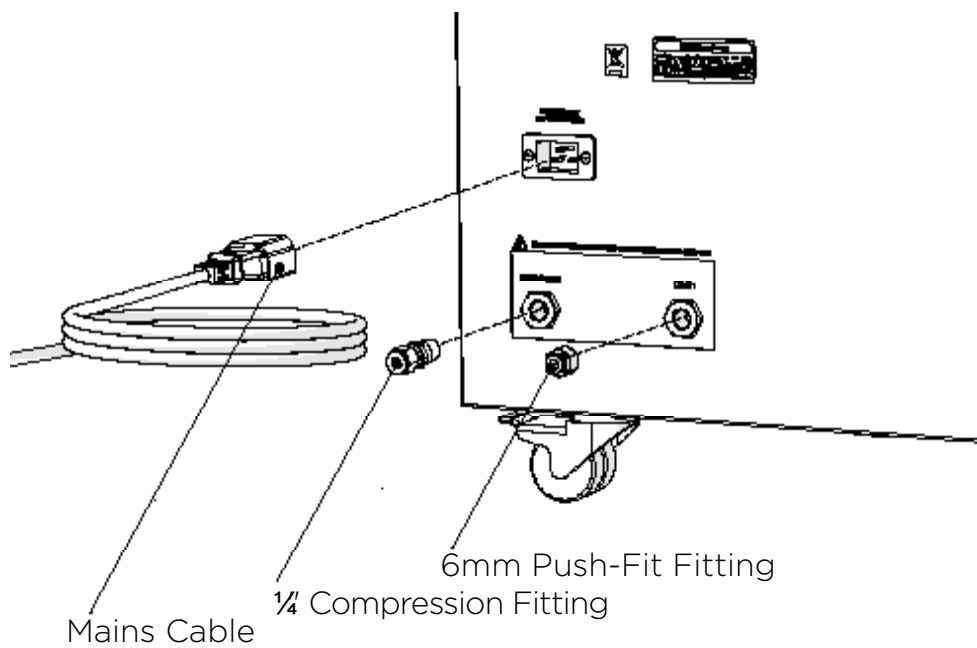
# Generator Overview

## General Dimensions



The generator must always be placed on a flat, level surface. Failure to do so will affect the performance of the generator.

## Rear Connections





# Electrical Connection

Connect the generator to an appropriate 110 or 230 volt single-phase supply, refer to the generator serial plate for input specification and ensure your supply matches the requirements.

If the appropriate power cord is not supplied; a new plug, rated to at least 12 amps, can be fitted by a qualified electrician.



This unit is classified as SAFETY CLASS 1. THIS UNIT MUST BE EARTHED. Before connecting the unit to the mains supply, please check the information on the serial plate. The mains supply must be of the stated AC voltage and frequency.

EARTH/GROUND (E):-                      Green & Yellow      or      Green

LIVE (L):-                                      Brown                      or      Black

Neutral (N):-                                  Blue                                  or      White

Electrical requirements for 230V generators is 195V - 253V 50/60Hz. For 195V - 219V a 06-3210 Dual Tap Transformer is required.

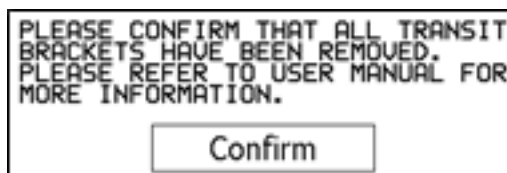


If the equipment is used in a manner not specified by the manufacturer, the protection provided by the equipment maybe impaired.

## Start-Up Sequence

Once connected to the mains supply the generator can now be switched on. Flick the power switch on the front panel of the generator to the on position

The first time the unit is switched on it will ask you to confirm that the transit brackets have been removed. The unit will not start until the user has pressed the confirm button.



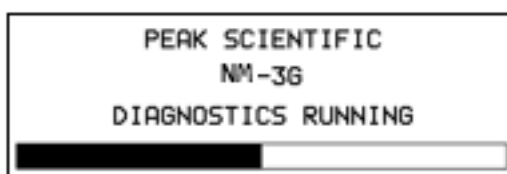
This message will not appear again on any subsequent start ups.



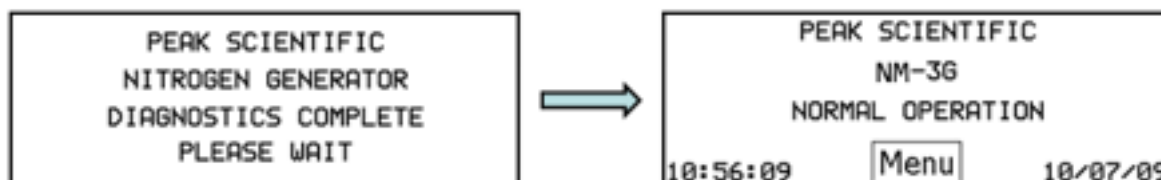
WARNING

During diagnostics air is expelled through the drain outlet. This is normal. If a drain bottle is used please ensure that it is empty before carrying out a diagnostics check as water may be sprayed from the container.

The unit will then start an installation diagnostics sequence. The diagnostics will take approximately 15 minutes to complete. A progress bar is shown to indicate the progress of the tests. This is not an indication of time.



Once complete and assuming no problems the generator will take a further 5 minutes to become ready for use. The screen will change to the main screen and indicate "Normal Operation"



CAUTION

Allow the generator to run for a further 30 minutes before connecting to the application as this will purge any impurities from the system. Failure to do this may harm the application. should be allowed to run for 1 hour to allow the gas to reach purity.

The Generator is now purged and the tubes can be connected at the rear of the unit.



Ensure that the correct output ports on the Generator are connected to the correct input ports on the application. Failure to do so will result in the wrong type of gas at the wrong pressure being delivered and could harm the application.



Once the tubes are connected to the appliance, ensure that they are thoroughly checked for being leak-tight. Even the slightest leak in the gas supply between the Generator and the application can lead to a reduction in efficiency, or possible alarm of the Generator.

The diagnostics sequence will only run on subsequent start-ups if there was a problem detected before it was shut down. If no fault had previously been detected and the installation diagnostics has been completed, a start-up screen will appear for 30 seconds to allow the user to initiate a diagnostics check. This is recommended if the unit has been turned off for a long period or the generator has been moved.

## Normal Operation

The Genius NM-3G Gas Generators are designed specifically to minimize operator involvement. Given that the systems are installed as described in earlier sections and is serviced in accordance with the specified maintenance recommendations (see Service Requirements), then it should simply be a matter of turning the Generator on when it is required.

The Generator will automatically produce the factory set flow and pressure as detailed in the Technical Specifications.

## On Demand Gas

The generator will produce nitrogen on demand. If the application is operating and requires a gas flow, the system it is connected to will supply this to suit the requirements of the application. If the application requirement for gas stops, the system will also stop, once it has reached its upper set limit in the internal storage tanks. If the demand from the application starts again, the system will detect the demand for gas and will automatically start again to suit the demand.

## Generator Cycling

The Generator is designed for the internal compressors to cycle. This cycling reduces the duty (run time) on the compressors. The rate at which they cycle will be dependent on the gas required to satisfy the demand of the application. If the application demands the maximum gas flow of the Generator, the compressor duty will be higher, (the rest period in the compressor cycle will be shorter). If the application demand is lower than the maximum gas flow, then the duty on the compressors will decrease, (the rest period in the compressor cycle will be longer). If the Generator is installed in an extreme environment or is subjected to low supply voltage or high altitude the compressors may undergo periods where they do not cycle.

## Unusual Operation

If at any time the generator begins to emit excessive noise or vibration, then it should be switched off and you should contact Peak Scientific or the Peak Partner from which the generator has been purchased.

# Fault Warning

Should the unit detect a fault, a message will be displayed on the HMI to explain the fault and inform the user of the current status of the machine. There are three levels of fault.

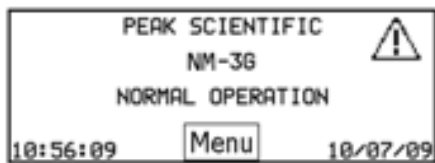
- Minor fault
- Redundancy mode
- System failure

A minor fault is shown when one of the valves used during diagnostics has failed. These are set to fail in the normal operating mode therefore the system can function as normal. You should contact your service provider to rectify the problem at your convenience

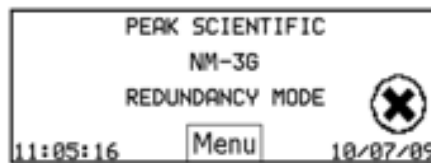
Redundancy mode is likely to indicate a failed compressor. The unit will continue to run with the remaining two compressors. An intermittent audible alarm will also sound to alert the user. This alarm can be silenced.

A system failure means that the unit can no longer supply gas and will be shut down. An audible alarm will sound constantly to alert the user. This can be silenced.

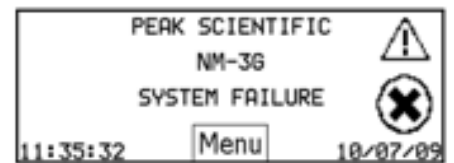
Once the fault message has been acknowledged by the user an icon will be displayed on the main screen as a reminder.



Minor fault screen



Redundancy mode screen



System failure screen

## Connecting to the application

Once the initial purge run of 30 minutes has completed, and the generator has been running for 1 hour, it is ready to be connected to the application(s).



The pressure in the internal storage tanks must be allowed to dissipate before connecting the generator to the application(s)

Attach the appropriate fittings to the outlets of the generator. Using the tubing supplied, connect the outlets of the generator to the inlets on the application.

If you require more tubing than is supplied please refer to the Tubing Lengths section.



Once the tubing is connected to the application, please ensure that it is thoroughly checked for being leak-tight. Even the slightest leak in the gas supply between the generator and the application can lead to a reduction in efficiency.

## Tubing Lengths



The diameter of the tubing which will be connected to the gas outlet is important and is determined by the length of tubing required. Failure to follow these recommendations could lead to pressure between generator and application.

- < 10 meters:            Use 6/4 (6mm O/D, 4mm I/D) P.T.F.E. tubing.
- > 10 - 40 meters:    Use 10/8 (10mm O/D, 8mm I/D). Tubing and fittings not supplied in the fittings kit.
- > 40 metres:            Please contact Peak Scientific with the relevant distance and we will calculate the flow resistance and the tubing size required.

A combination of 6/4 and 10/8 tubing may be used to ensure that there is no large diameter tubing within the lab (i.e. for the first 20 meters from the Generator use 10/8 and the final 10 meters to the application use 6/4 tubing). Keep the connections and bends to a minimum.

The imperial equivalents are: 6/4 = 1/4" O/D, 3/16" I/D.

10/8 = 3/8" O/D, 5/16" I/D.

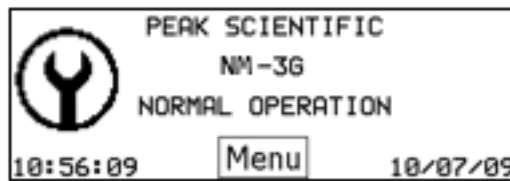
# Service Requirements

## Service Schedule

Purchase Interval	Component	Visit
12 Months	Genius NM-3G Annual Maintenance Kit	<a href="http://www.peakscientific.com/ordering">www.peakscientific.com/ordering</a>

## Service Indication

The Generators will display the service icon when a service is due.




# Peak Protected

With Peak Scientific you invest in not only a product but peace of mind. With a network of certified Peak engineers stationed throughout the globe, Peak's rapid response team are never far away and our commitment is to keep your generator running day in, day out, protecting your laboratory workflow.

## [Peak Protected] can provide...



**Installation**  
A dedicated Peak engineer will visit your lab to install and setup your generator



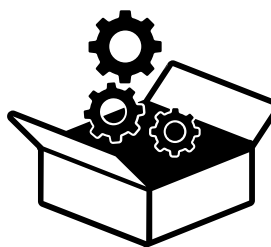
**Complete plan**  
Swift response by a Peak Service Engineer within 72 hours & planned preventative maintenance



**Premium Protected**  
Guaranteed rapid on-site response within 24 hours & planned preventative maintenance



**IQ/OQ**  
Certified assurance for applications requiring documented qualification



**Spares**  
Genuine Peak parts with express delivery, ensuring optimal performance and lifetime



**Technical Support Hotline**  
Around the clock support by phone or online with our global technical helpdesk

To find out more about protecting your investment visit: [www.peakscientific.com/protected](http://www.peakscientific.com/protected)

## Cleaning

Clean the outside of the generator only using warm soapy water and a clean damp cloth. Ensure all excess fluid is thoroughly removed from the cloth prior to use.



Cleaning should only be undertaken with the power switched off and the power cord removed from the rear of the generator.





Under no circumstances should any solvents or abrasive cleaning solutions be used as these can contain fumes that could be harmful to the generator.



Care should be taken with Leak Detections Liquids.



# Troubleshooting

Problem	Possible Solution
<p>The Generator will not switch on and the power switch does not illuminate.</p>	<ul style="list-style-type: none"> <li>• Ensure power cord is plugged into the Generator and that the power socket is turned on.</li> <li>• Check the fuse in the power cord plug.</li> <li>• Contact your service provider.</li> </ul> 
<p>The Generator will not switch on but the power switch is illuminated.</p>	<ul style="list-style-type: none"> <li>• Disconnect power cord from the rear of the Generator. Open the left hand panel are check that both circuit breakers are turned on (switch in the up position). Reconnect power cord.</li> <li>• Contact your service provider.</li> </ul> 
<p>Compressors are running but pressure is not building.</p>	<ul style="list-style-type: none"> <li>• Check pressure gauge is showing normal pressure.</li> <li>• Contact your service provider.</li> </ul>
<p>The mass spec is reporting low pressure.</p>	<ul style="list-style-type: none"> <li>• Contact your service provider.</li> </ul>

# Go Online or Complete and Return

We know that registering any of your recently purchased products is not the first thing on your mind- but it is very important to both of us. Not all warranties are alike and Peak Scientific stand out against other gas suppliers as we offer a comprehensive, quick response, on-site warranty. This means that in the very unlikely case that your gas generator develops a fault we have rapid support teams on-hand around the world who are able to come to your lab and get you back up and running in no time.

Register for your **comprehensive 12 month on-site warranty** with ease online at [www.peakscientific.com/protected](http://www.peakscientific.com/protected).

Alternatively, you can send the completed form to Peak Scientific by post or email at [warranty@peakscientific.com](mailto:warranty@peakscientific.com).

**Go Online or Complete and Return**

You can register for your **FREE 12 month Warranty** with ease online at [www.peakscientific.com/protected](http://www.peakscientific.com/protected).

Alternatively, you can send the completed form to Peak Scientific by post or email at [warranty@peakscientific.com](mailto:warranty@peakscientific.com).

Product Warranty Registration			
Contact name			
Email address			
Company			
Address			
City/town			
Postcode			
Country			
Telephone			
Generator serial #			
Model type			
Installation date			
Do you still use an alternative gas solution i.e. cylinders or bulk liquid?	Yes	No	
What gas requirements do you have in your lab?	Hydrogen	Nitrogen	Zero Air

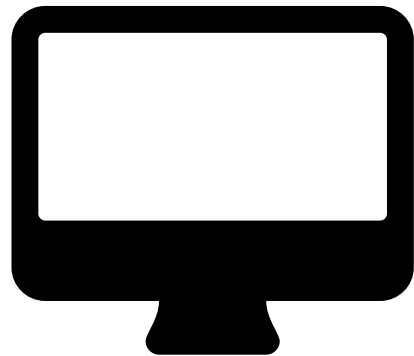
**Extend your cover with**

Peak Scientific offer comprehensive gas generator after sales support packages. Peak [Protected] aftercare support can guarantee an on-site response within 72 hours\*, genuine parts from our ISO9001 approved factory and a 95% first-time fix rate. See our enclosed Peak [Protected] leaflet for further information.

**Important!**

You have 1 month to register your Peak Scientific product from the date of installation. Once registered the warranty will be honoured for a period of 12 months. If you wish to defer the installation of your generator, you must notify Peak Scientific immediately by emailing [warranty@peakscientific.com](mailto:warranty@peakscientific.com). For generators that remain unregistered after 1 month from the shipment date, the warranty will be considered active from the date of factory dispatch.

\* Complete Plan only



## Important!

You have **1 month to register** your Peak Scientific product from the date of installation. Once registered the warranty will be honoured for a period of 12 months. If you wish to defer the installation of your generator, you must notify Peak Scientific immediately by emailing **warranty@peakscientific.com**. For generators that remain unregistered after 1 month from the shipment date, the warranty will be considered active from the date of factory dispatch.

# [**PEAK Protected**]<sup>TM</sup>

Peak Scientific has highly trained, fully certified Field Service Engineers located in over 20 countries across every continent around the world. This allows us to provide an industry-leading rapid response service to our customers. With [**Peak Protected**], your laboratory's productivity becomes our top priority.

To discuss Peak Protected generator cover and payment options speak to your local Peak Representative or for further information contact: [protected@peakscientific.com](mailto:protected@peakscientific.com)

**Peak Scientific**

Fountain Crescent  
Inchinnan Business Park  
Inchinnan  
PA4 9RE  
Scotland, UK

**Tel:** +44 141 812 8100

**Fax:** +44 141 812 8200

For further information on any of our generator products please contact [marketing@peakscientific.com](mailto:marketing@peakscientific.com)