

# Solaris Air Compressor

## Installation Guide



## Change History

Rev	Comment	Name	Date
Rev3	Partnumber update	D.Lai	25/08/2022

## How to use this Installation Guide

This document is intended to be used only as a Quick Start Guide, to facilitate safe and correct installation and initial configuration of your Peak Scientific gas generator.

For more extensive user operation directions, we recommend you download the User Manual from the website.

**Please visit [www.peakscientific.com/downloads](http://www.peakscientific.com/downloads) to download the full User Manual for your Air Compressor.**




Thank you for selecting Peak Scientific to meet your laboratory gas generation needs, and should you require any further assistance or support please do not hesitate to contact Peak Scientific or Peak Partner from which you purchased your air compressor.

# Safety Notices

Peak Scientific Instruments cannot anticipate every possible circumstance which may represent a potential hazard. The warnings detailed within this document detail the most known potential hazards, but by definition cannot be all inclusive. If the user employs an operating procedure, item of equipment or a method of working which is not specifically recommended by Peak Scientific, the user must ensure that the equipment will not be damaged or become hazardous to persons or property.

## Symbols

This document uses the following symbols to highlight specific areas important to the safe and proper use of the air compressor.

 WARNING	A WARNING notice denotes a hazard. It calls attention to an operating procedure, process or similar, which if not correctly performed or adhered to, could cause personal injury or in the worst case death. Do not proceed beyond a WARNING notice until the indicated conditions are fully understood or met.
 CAUTION	A CAUTION notice denotes a hazard. It calls attention to an operating procedure, process or similar, which if not correctly performed or adhered to, could cause damage to the air compressor or the application. Do not proceed beyond a CAUTION notice until the indicated conditions are fully understood or met.
	Caution, risk of electric shock. Ensure power to the Air Compressor has been removed before proceeding.

## Safety Notice to Users



These instructions must be read thoroughly and understood before installation and operation of your Peak Solaris Air Compressor. Use of the air compressor in a manner not specified by Peak Scientific MAY impair the SAFETY provided by the equipment.

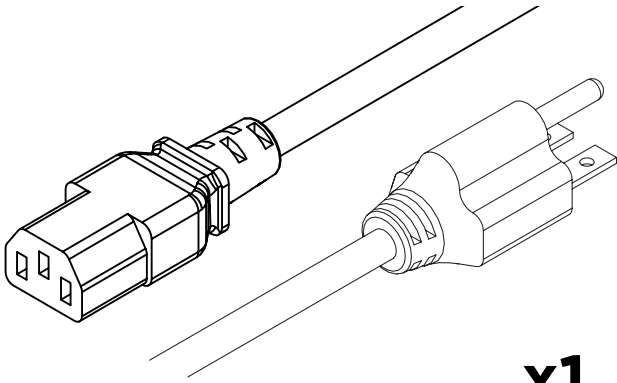


When handling, operating or carrying out any maintenance, personnel must employ safe engineering practices and observe all relevant local health and safety requirements and regulations. The attention of UK users is drawn to the Health and Safety at Work Act 1974, and the Institute of Electrical Engineers regulations.

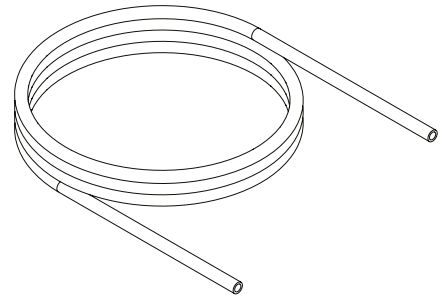


If the equipment is used in a manner not specified by the manufacturer, the protection provided by the equipment may be impaired.

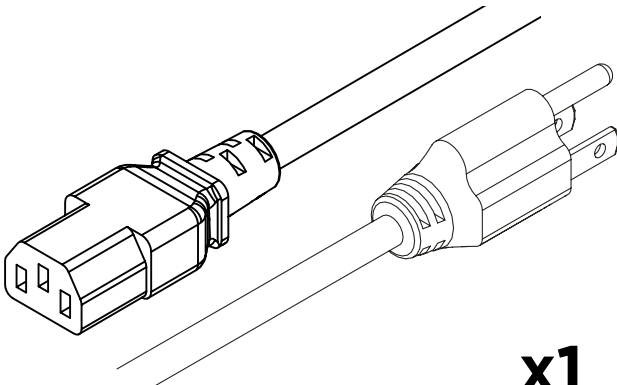
# Fittings Kit



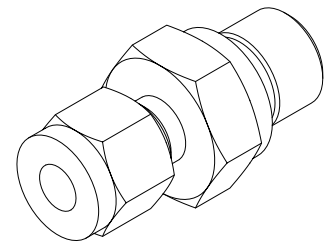
**x1**  
US Mains Cable C13 6-15 04-1029



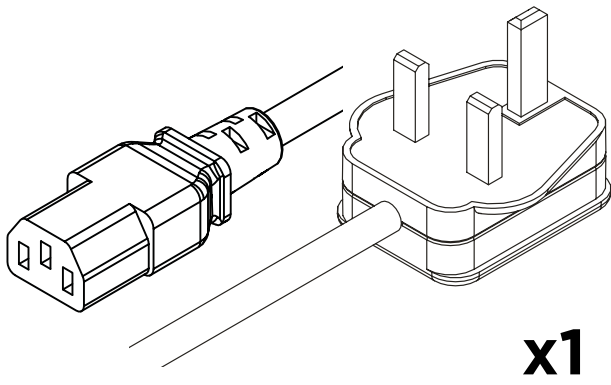
**x3m**  
1/4" Teflon Tubing 00-1266



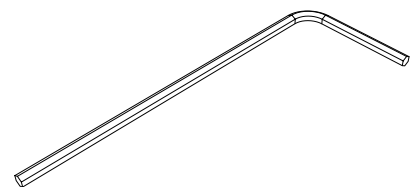
**x1**  
US Mains Cable C13 5-15 04-1039



**x2**  
1/4" x 1/4" Compression Fitting 02-4421



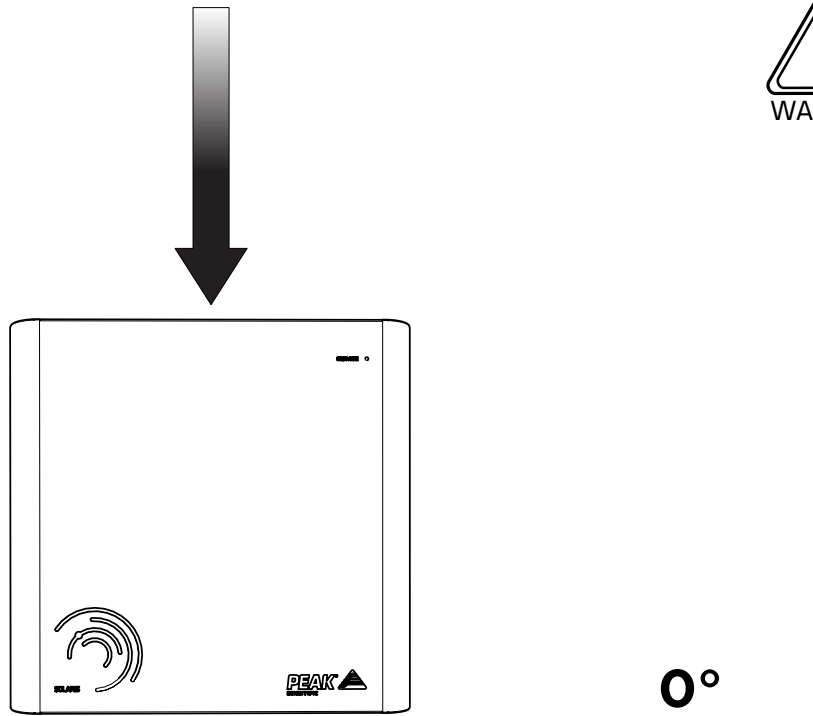
**x1**  
UK Mains Cable C13 04-1030



**x1**  
EU Mains Cable C13 04-1038

**x1**  
2.5mm Hex Key 00-5483

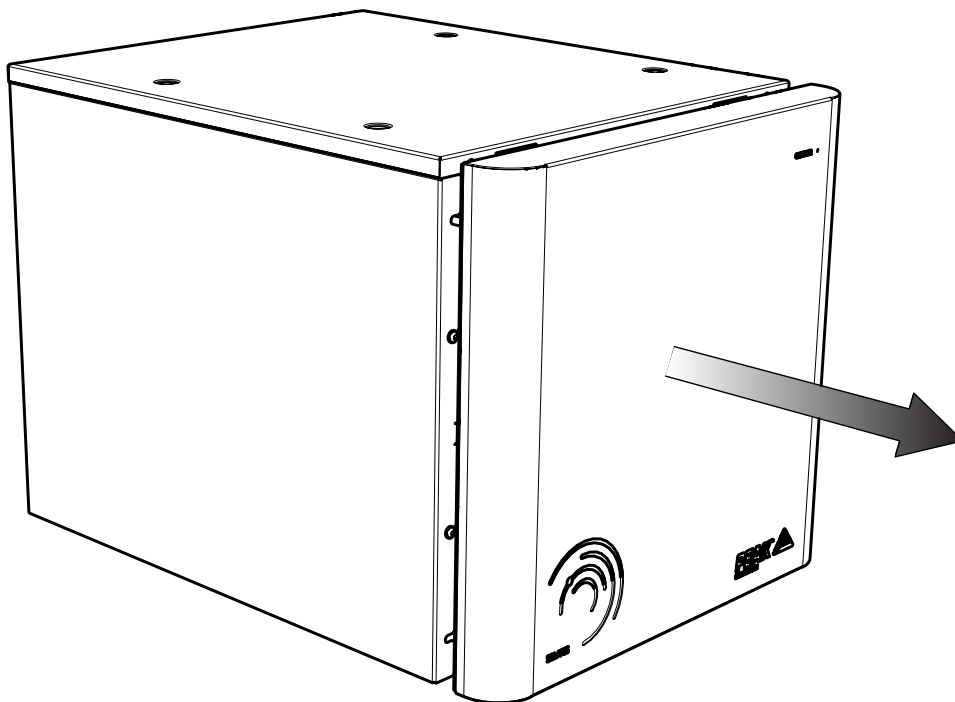
1.



Unpack the air compressor from the shipping crate and position on a flat surface, in desired area.

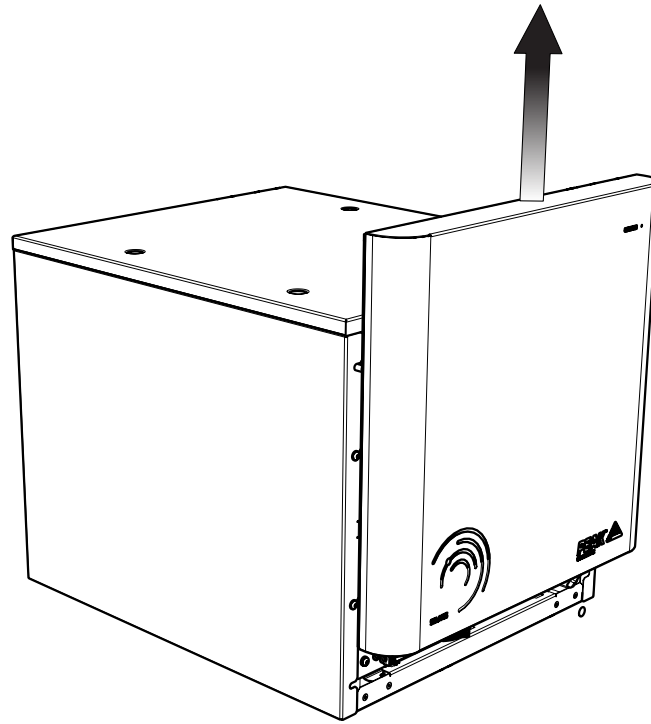
**WARNING** the weight of the unit constitutes a two man lift. Safe lifting practices are advised.

2.



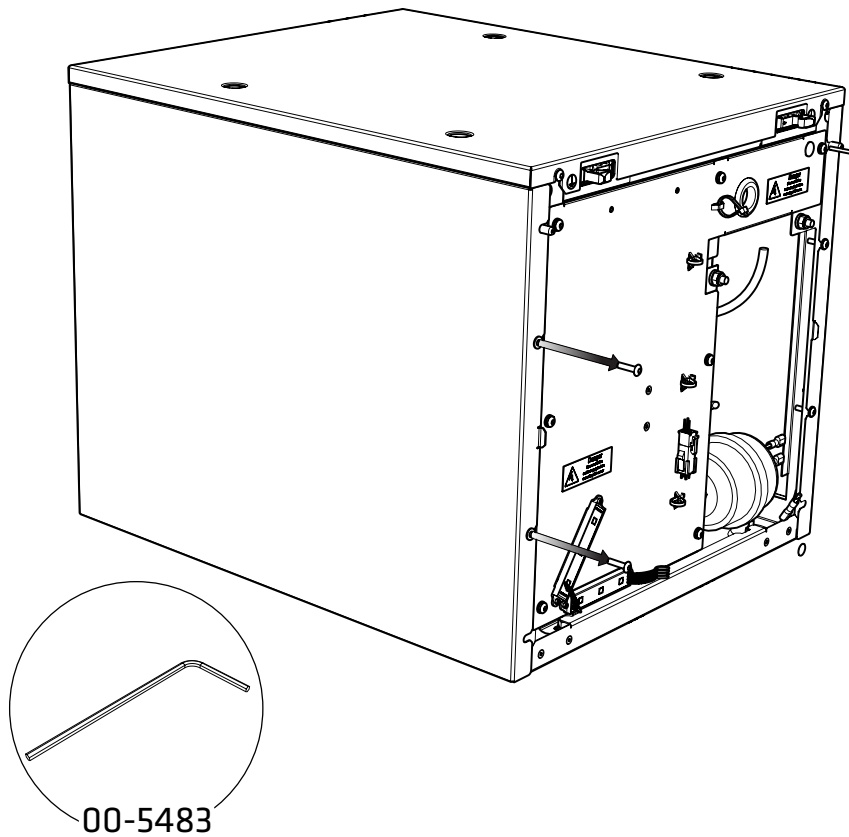
Remove the **fascia** from the air compressor, by first pulling towards you.

3.



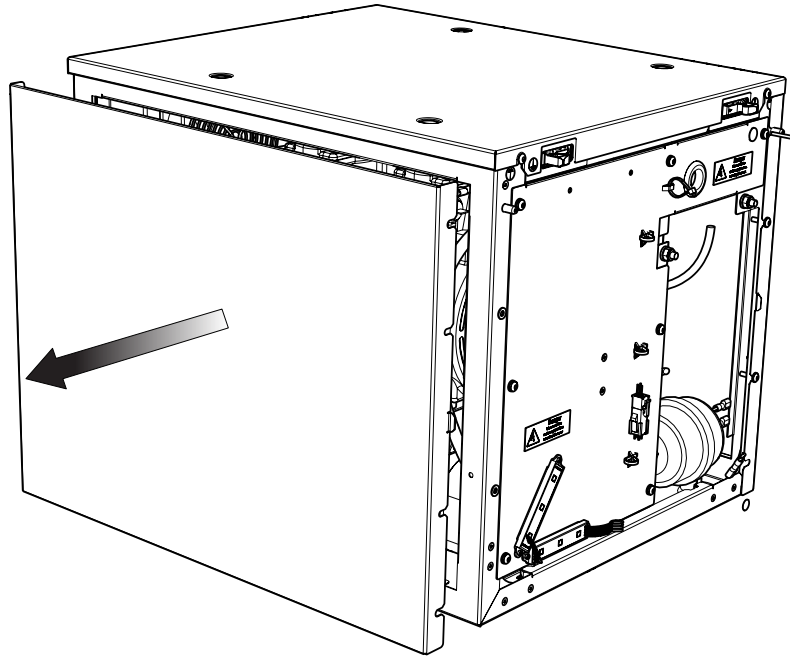
Next pull the **fascia** upwards and away from the air compressor.

4.



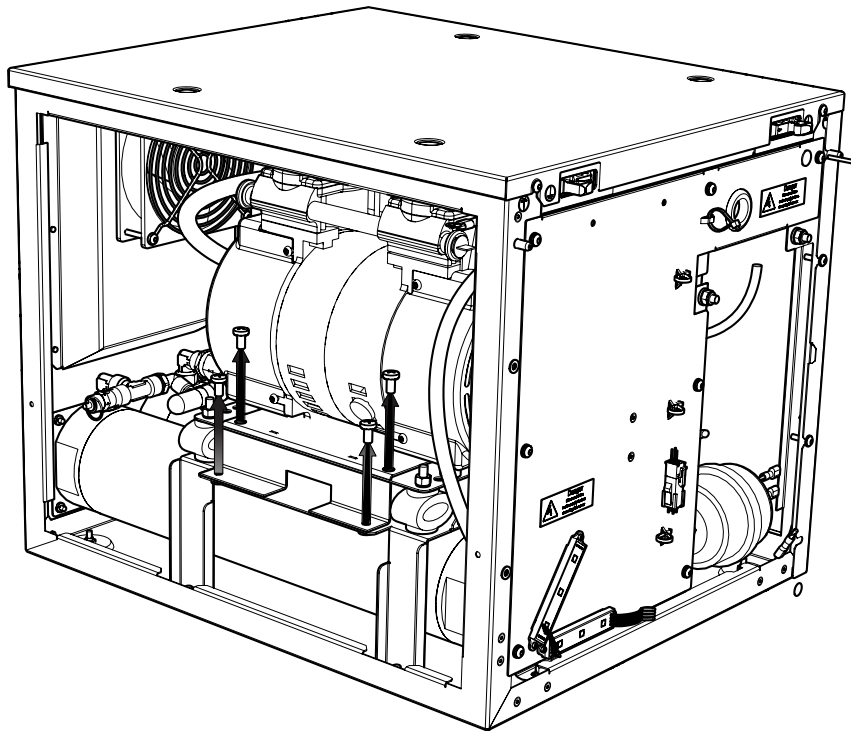
Now take the **left side panel** off, by removing the **two screws** shown in the image above, using the **hex key (00-5483)** provided

5.



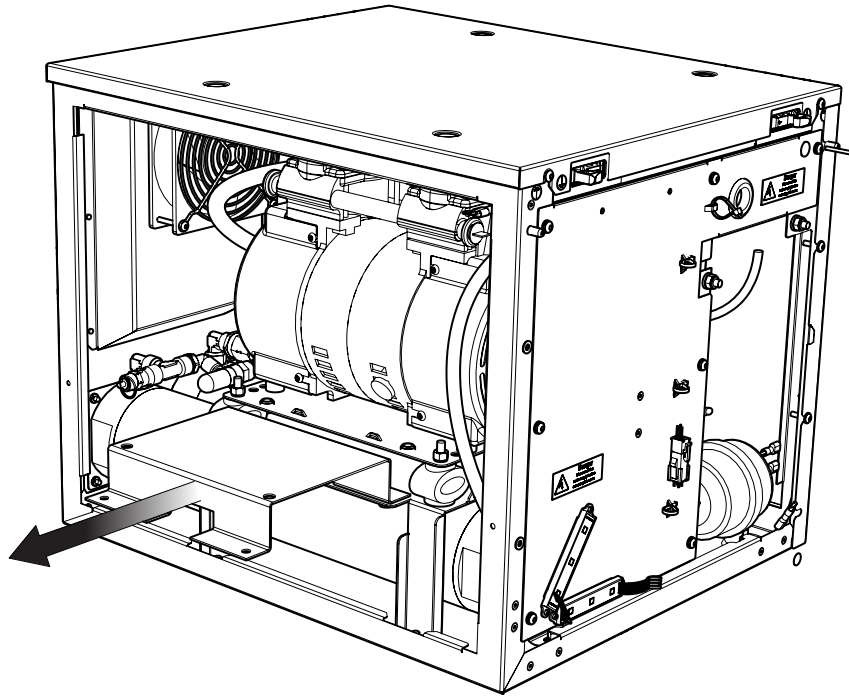
The **side panel** can now be removed by pulling the panel towards you.

6.



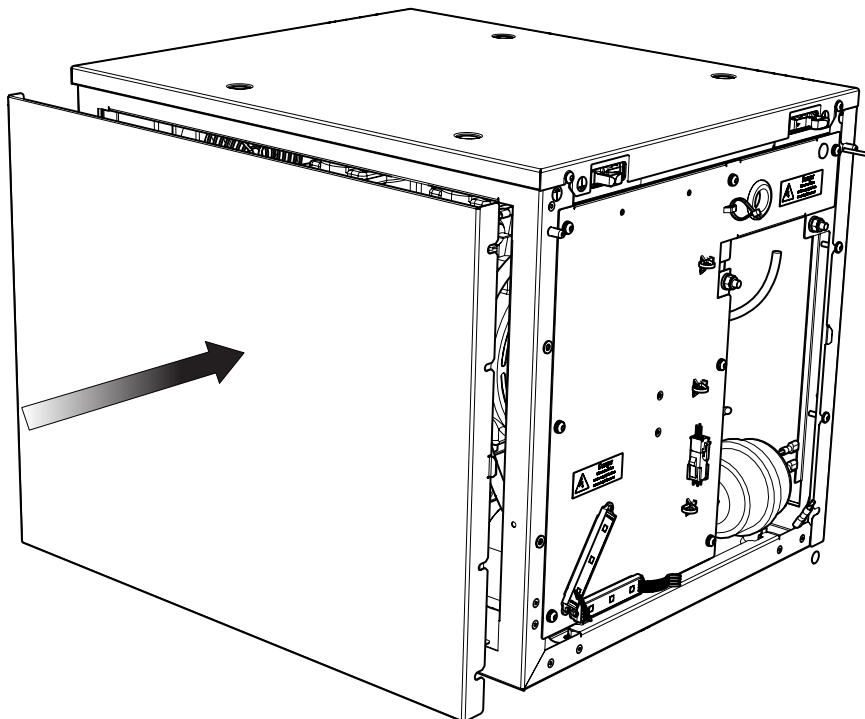
With the side panel removed you now have access to the **transit bracket**. This is located under the compressor and is marked with a sticker reading **Remove Before Use**. To remove the transit bracket, first **remove the 4 screws** from the bracket as shown.

7.



The **bracket** can now be slid out from underneath the compressor tray.

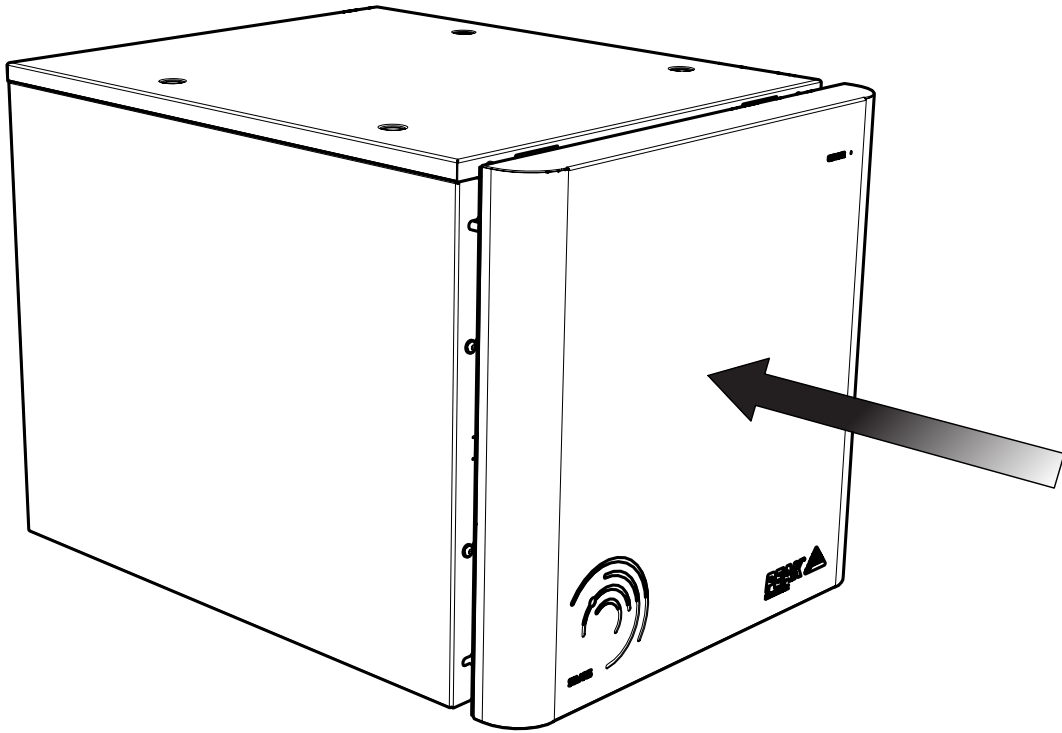
8.



Re-attach the **side panel** and replace the **screws**.

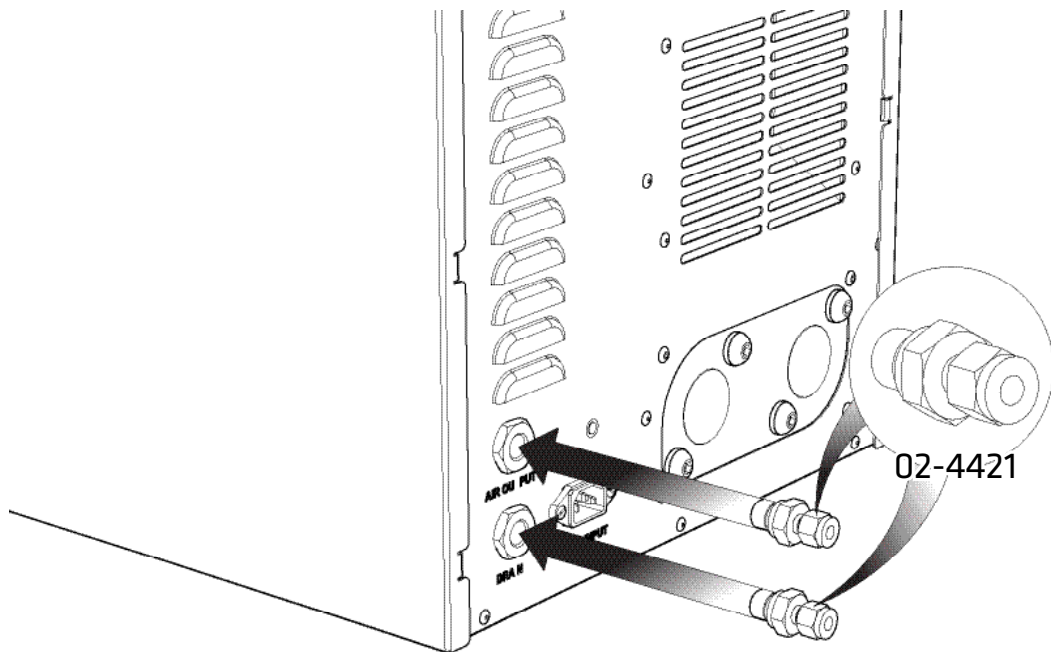


9.



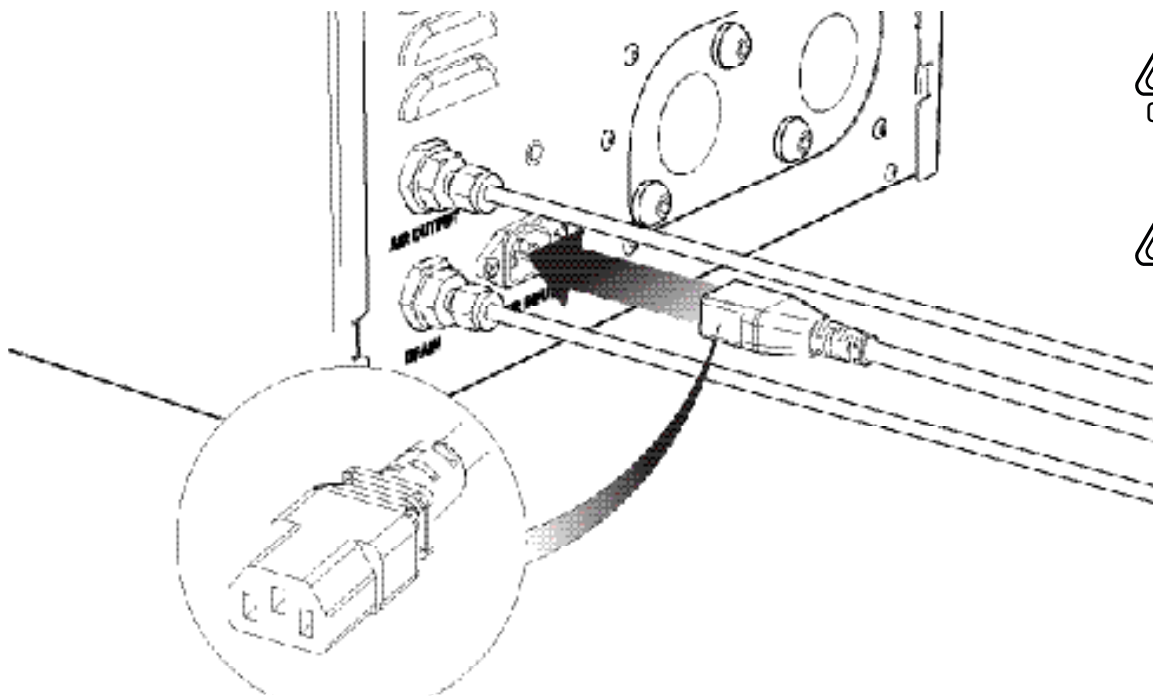
Replace the **fascia**, ensuring it is securely fastened.

10.



Connect the supplied **1/4" compression fittings (02-4421)** to the **Air Output** and **Drain** ports.

11.



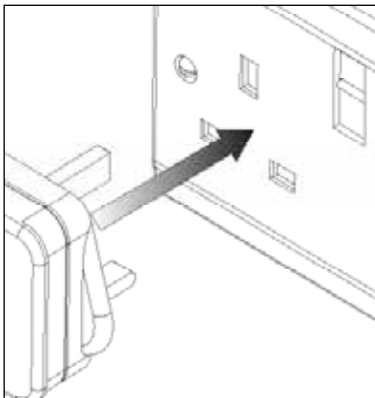
04-1030/04-1029/04-1038/04-1039

Select the appropriate **mains cable** from the fittings kit and plug the **IEC 60320/C13** cable into the **mains input** at the rear of the air compressor.

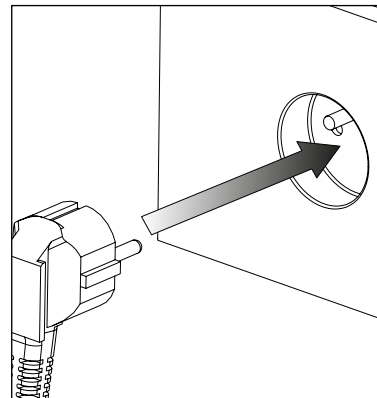
**Please note both 110V and 230V US cables have been supplied, select the correct mains cable for your supply voltage.**

12.

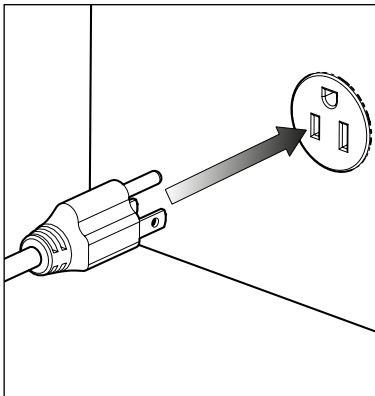
UK



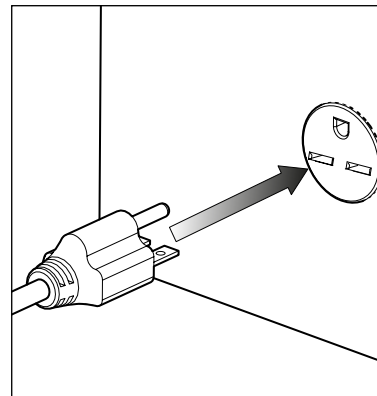
EU



US  
110V



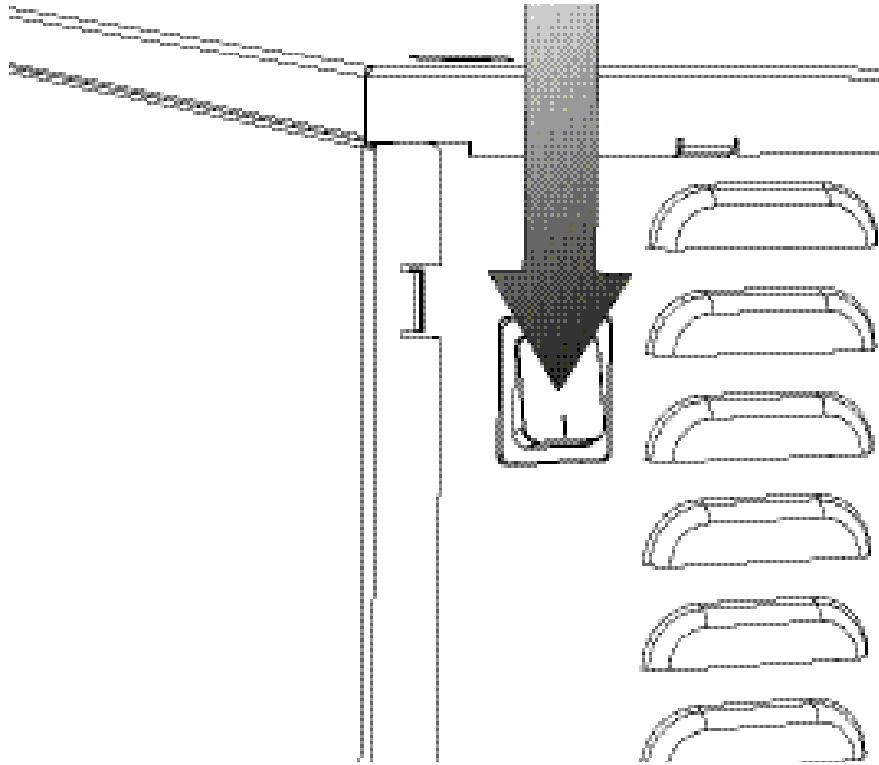
US  
230V



Plug the **mains cable** into the corresponding **100-230VAC 50/60Hz** single phase power supply.

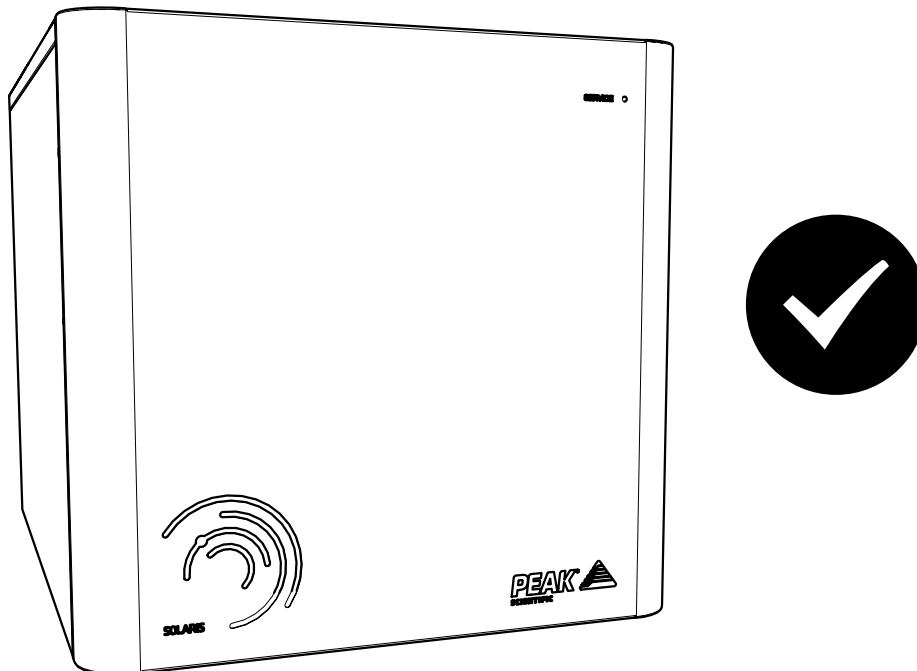
**CAUTION ensure the correct cable has been selected for your electrical supply**

13.



Press the **POWER** switch located at the rear of the air compressor.

14.



## CONGRATULATIONS

Your **Peak Scientific** Solaris air compressor is now fully installed, operational and ready to supply air on demand to your generator.

## General Notes

\* Electrical requirements are 100-230VAC nominal +/- 10% depending on chosen model. However, running continuously at voltages outwith this is not recommended. Extended periods at extremes can have a detrimental effect on the operation and life of the air compressor.

Please familiarise yourself with the full **User Manual** available at **[www.peakscientific.com/downloads](http://www.peakscientific.com/downloads)** This includes all other technical specifications, operating instructions, service requirements, contact details and trouble shooting.

# Go Online or Complete and Return

We know that registering any of your recently purchased products is not the first thing on your mind- but it is very important to both of us. Not all warranties are alike and Peak Scientific stand out against other gas suppliers as we offer a comprehensive, quick response, on-site warranty. This means that in the very unlikely case that your gas generator develops a fault we have rapid support teams on-hand around the world who are able to come to your lab and get you back up and running in no time.

Register for your **comprehensive 12 month on-site warranty** with ease online at [www.peakscientific.com/protected](http://www.peakscientific.com/protected).

Alternatively, you can send the completed form to Peak Scientific by post or email at [warranty@peakscientific.com](mailto:warranty@peakscientific.com).

**Go Online or Complete and Return**

You can register for your **FREE 12 month Warranty** with ease online at [www.peakscientific.com/protected](http://www.peakscientific.com/protected).

Alternatively, you can send the completed form to Peak Scientific by post or email at [warranty@peakscientific.com](mailto:warranty@peakscientific.com).

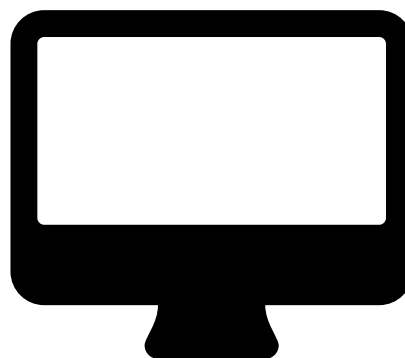
Product Warranty Registration			
Contact name			
Email address			
Company			
Address			
City/town			
Postcode			
Country			
Telephone			
Generator serial #			
Model type			
Installation date			
Do you still use an alternative gas solution i.e. cylinders or bulk liquid?	Yes	No	
What gas requirements do you have in your lab?	Hydrogen	Nitrogen	Zero Air

**Extend your cover with**

Peak Scientific offer comprehensive gas generator after sales support packages. Peak [Protected] aftercare support can guarantee an on-site response within 72 hours\*, genuine parts from our ISO9001 approved factory and a 95% first-time fix rate. See our enclosed Peak [Protected] leaflet for further information.

**Important!**  
You have 1 month to register your Peak Scientific product from the date of installation. Once registered the warranty will be honoured for a period of 12 months. If you wish to defer the installation of your generator, you must notify Peak Scientific immediately by emailing [warranty@peakscientific.com](mailto:warranty@peakscientific.com). For generators that remain unregistered after 1 month from the shipment date, the warranty will be considered active from the date of factory dispatch.

\* Complete Plan only



## Important!

You have **1 month to register** your Peak Scientific product from the date of installation. Once registered the warranty will be honoured for a period of 12 months. If you wish to defer the installation of your generator, you must notify Peak Scientific immediately by emailing **warranty@peakscientific.com**. For generators that remain unregistered after 1 month from the shipment date, the warranty will be considered active from the date of factory dispatch.





Please visit [www.peakscientific.com/downloads](http://www.peakscientific.com/downloads) to download the full User Manual for your air compressor.

## [**PEAK Protected**]<sup>TM</sup>

Peak Scientific has highly trained, fully certified Field Service Engineers located in over 20 countries across every continent around the world. This allows us to provide an industry-leading rapid response service to our customers. With [**Peak Protected**], your laboratory's productivity becomes our top priority.

To discuss Peak Protected generator cover and payment options speak to your local Peak Representative or for further information contact: [protected@peakscientific.com](mailto:protected@peakscientific.com)

### **Peak Scientific**

Fountain Crescent  
Inchinnan Business Park  
Inchinnan  
PA4 9RE  
Scotland, UK  
**Tel:** +44 141 812 8100  
**Fax:** +44 141 812 8200

For further information on any of our generator products please contact [marketing@peakscientific.com](mailto:marketing@peakscientific.com)