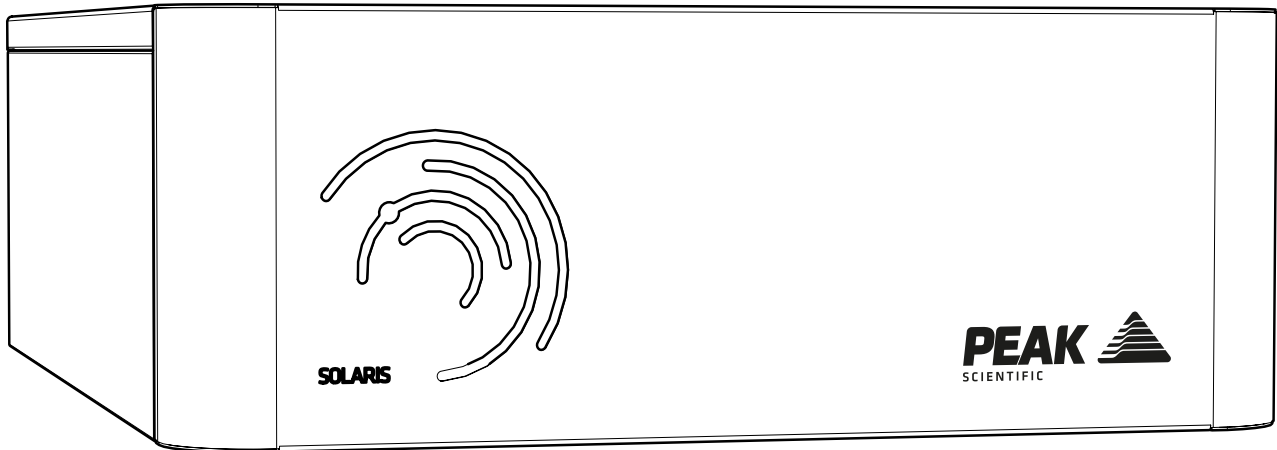


Solaris 10

Installation Guide



Change History

Rev	Comment	Name	Date
1	Initial Release	Liam Couttie	01/09/2016
2	Name Update	Liam Couttie	18/05/2018
3	Fittings Kit Update	Liam Couttie	05/07/2021
4	Fittings Kit Update	David Lai	28/04/2022

How to use this Manual

This installation guide is intended to be used as a step by step, quick start guide, to facilitate installation and configuration.

Please visit www.peakscientific.com/downloads to download the full User Manual for your gas generator.




Thank you for selecting Peak Scientific to meet your Gas Generation needs, and should you require any further assistance or support please do not hesitate to contact Peak Scientific or Peak Partner from which you purchased your Generator.

Safety Notices

Peak Scientific Instruments cannot anticipate every possible circumstance which may represent a potential hazard. The warnings detailed within this document detail the most known potential hazards, but by definition cannot be all inclusive. If the user employs an operating procedure, item of equipment or a method of working which is not specifically recommended by Peak Scientific, the user must ensure that the equipment will not be damaged or become hazardous to persons or property.

Symbols

This document uses the following symbols to highlight specific areas important to the safe and proper use of the Generator

 WARNING	A WARNING notice denotes a hazard. It calls attention to an operating procedure, process or similar, which if not correctly performed or adhered to, could cause personal injury or in the worst case death. Do not proceed beyond a WARNING notice until the indicated conditions are fully understood or met.
 CAUTION	A CAUTION notice denotes a hazard. It calls attention to an operating procedure, process or similar, which if not correctly performed or adhered to, could cause damage to the Generator or the Application. Do not proceed beyond a CAUTION notice until the indicated conditions are fully understood or met.
	Caution, risk of electric shock. Ensure power to the Generator has been removed before proceeding.

Safety Notice to Users



These instructions must be read thoroughly and understood before installation and operation of your Peak Solaris 10 Generator. Use of the Generator in a manner not specified by Peak Scientific MAY impair the SAFETY provided by the equipment.

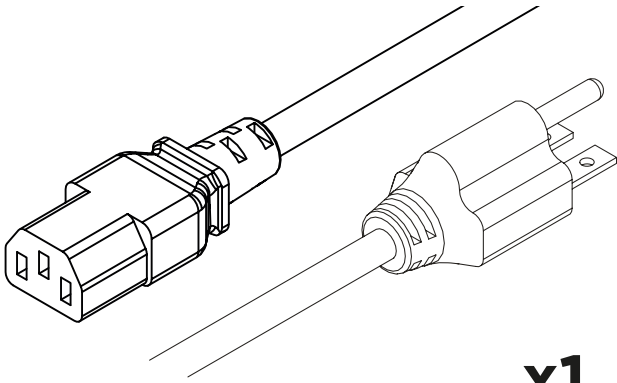


When handling, operating or carrying out any maintenance, personnel must employ safe engineering practices and observe all relevant local health and safety requirements and regulations. The attention of UK users is drawn to the Health and Safety at Work Act 1974, and the Institute of Electrical Engineers regulations.

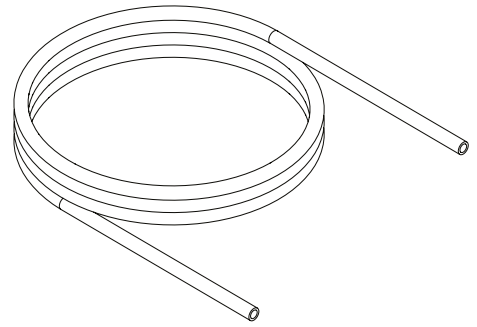


If the equipment is used in a manner not specified by the manufacturer, the protection provided by the equipment may be impaired.

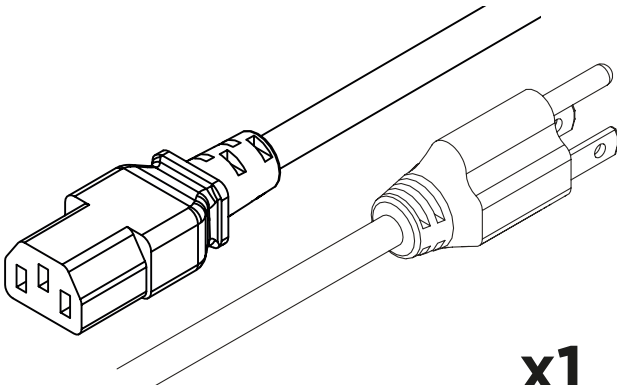
Fittings Kit



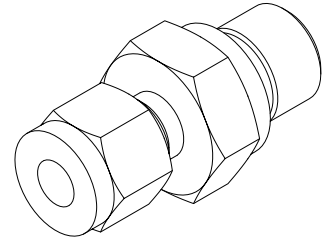
x1
US Mains Cable C13 6-15 04-1029



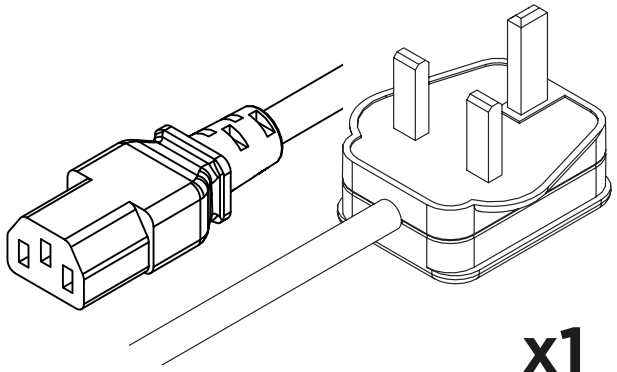
x3m
1/4" Teflon Tubing 00-1266



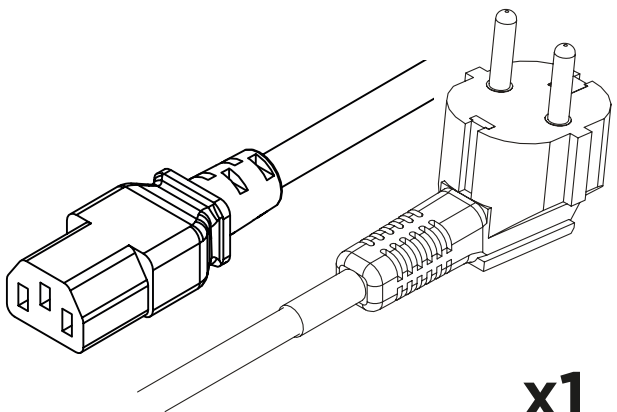
x1
US Mains Cable C13 5-15 04-1039



x3
1/4" x 1/4" Compression Fitting 02-4421

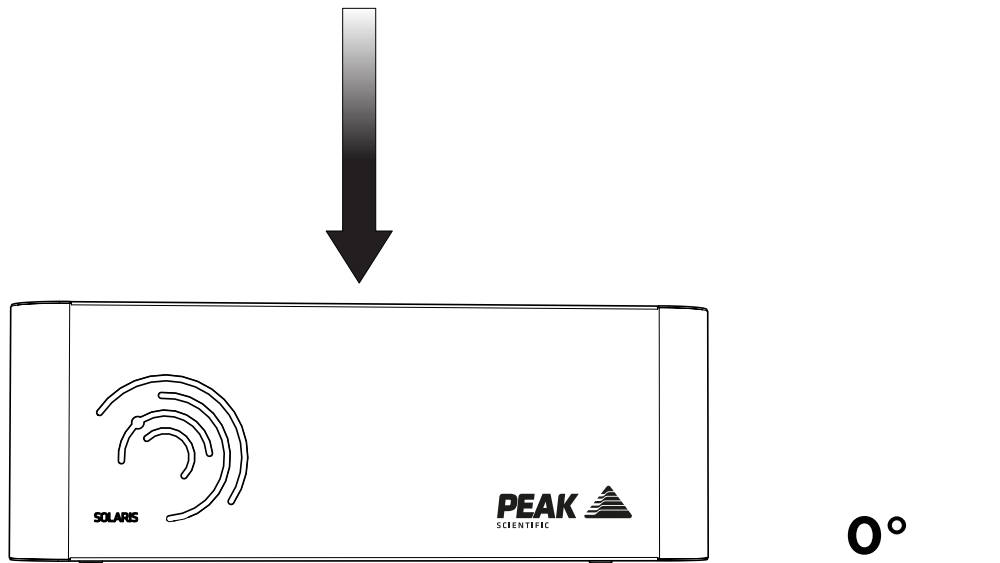


x1
UK Mains Cable C13 04-1030



x1
EU Mains Cable C13 04-1038

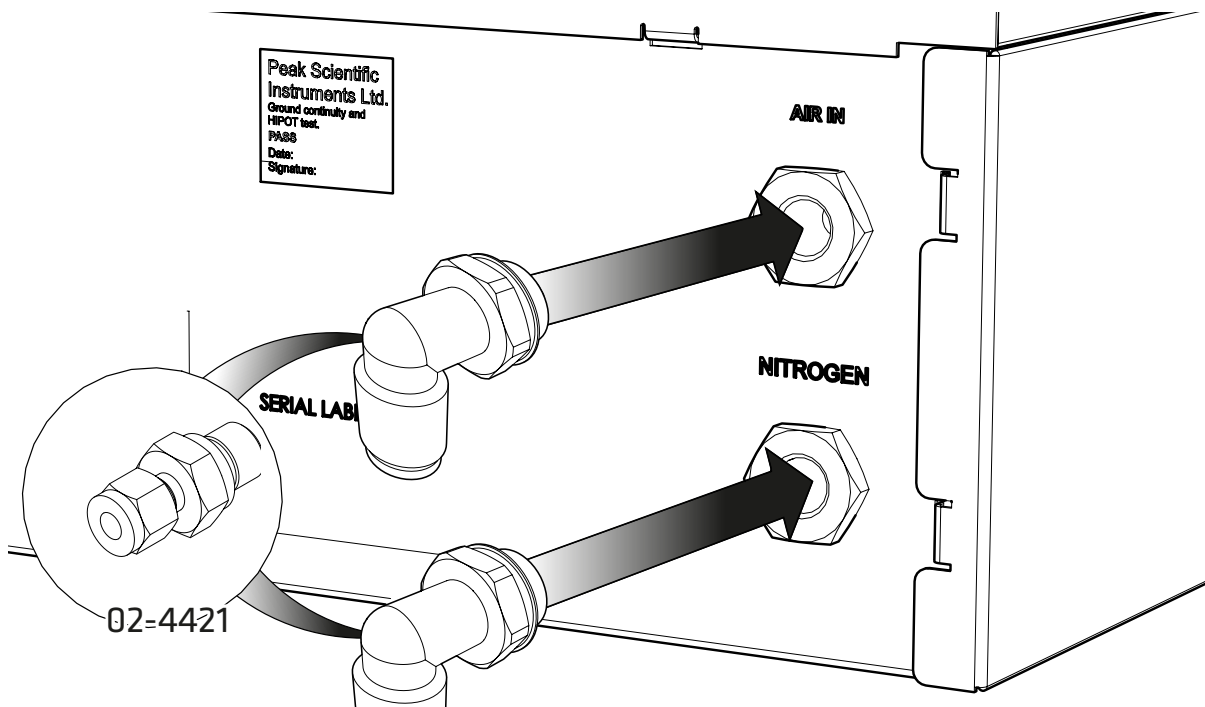
1.



Unpack the generator from the shipping crate and position on a flat surface, in desired area.

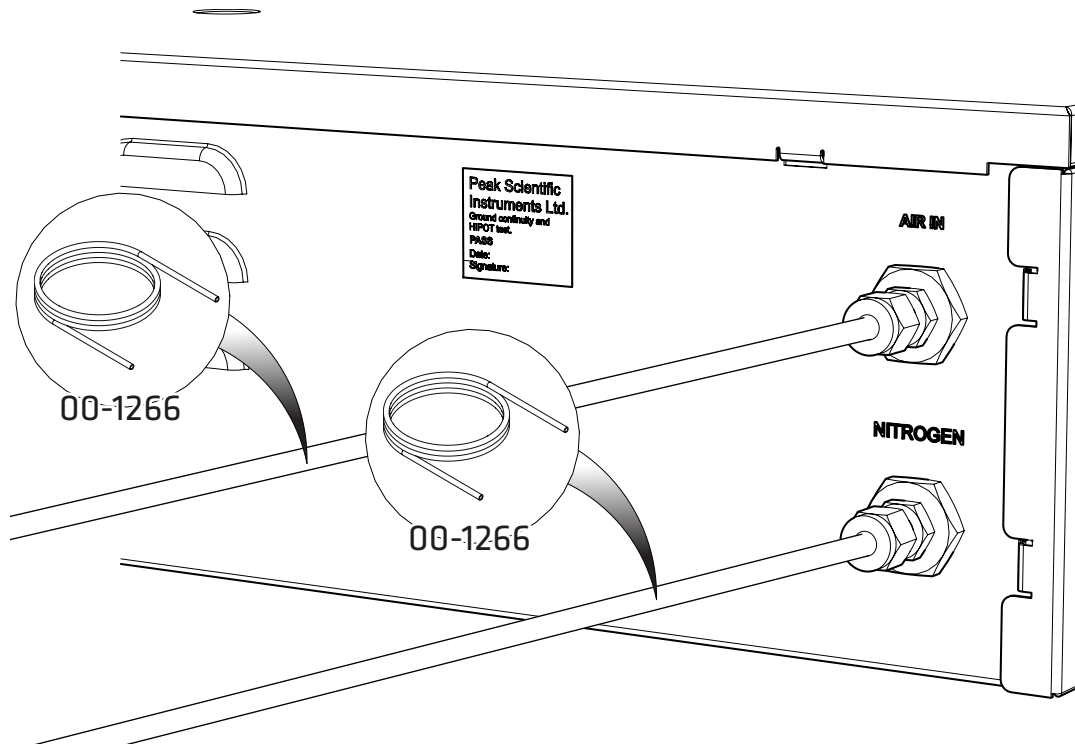
WARNING the weight of the unit constitutes a two man lift. Safe lifting practices are advised.

2.



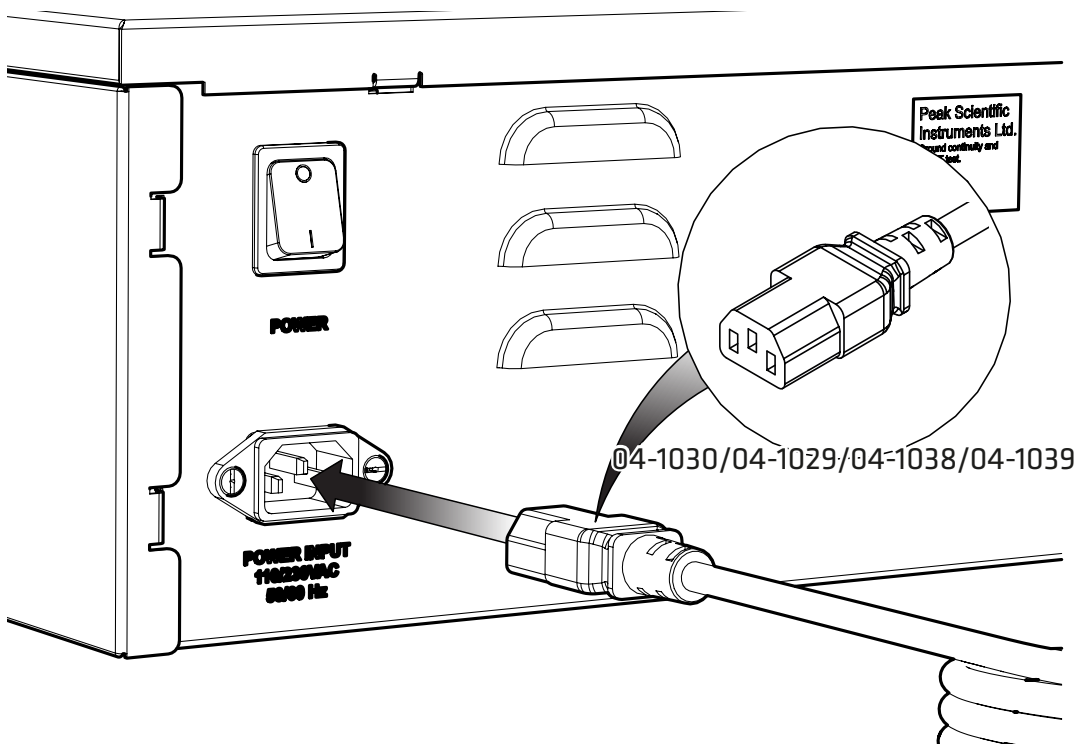
Select the 1/4" x 1/4" **Compression Fittings** and attach to the **AIR IN** and **NITROGEN** ports.

3.



Connect the supplied ¼” **Teflon Tubing** to the **AIR IN & NITROGEN** ports. Connect the other ends to the instruments gas inlets.

4.

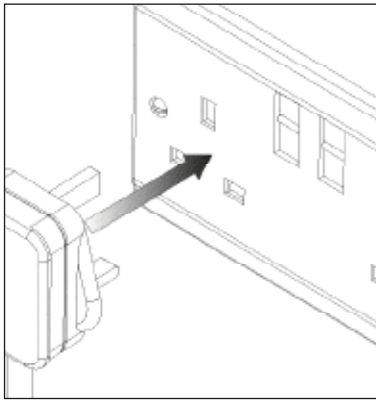


Select the appropriate mains cable from the fittings kit and plug the **IEC 60320/C13** cable into the mains input at the rear of the generator.

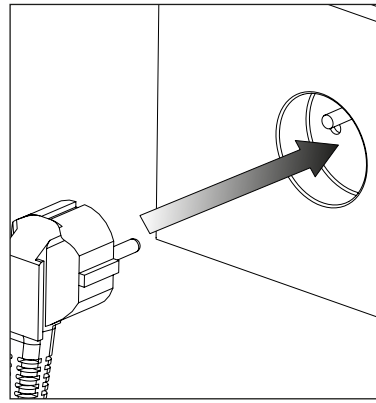
Please note both 110V and 230V US cables have been supplied, select the correct mains cable for your supply voltage.

5.

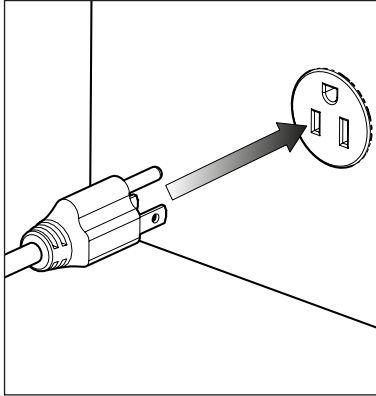
UK



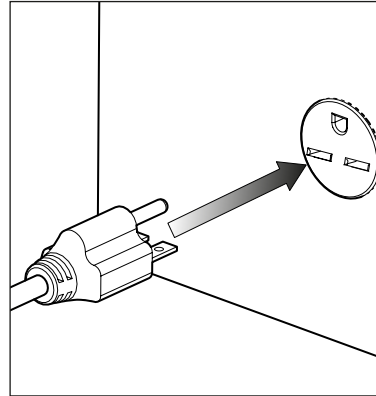
EU



US
110V



US
230V

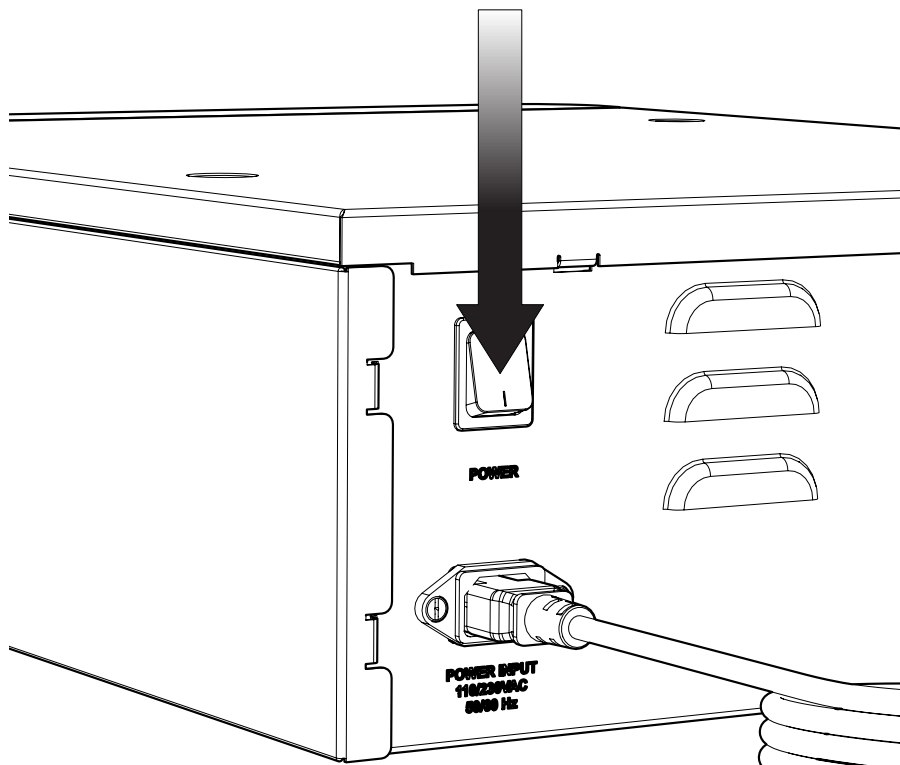


100-230VAC 50/60Hz

Plug the mains cable into the corresponding **100-230VAC 50/60Hz** single phase power supply.

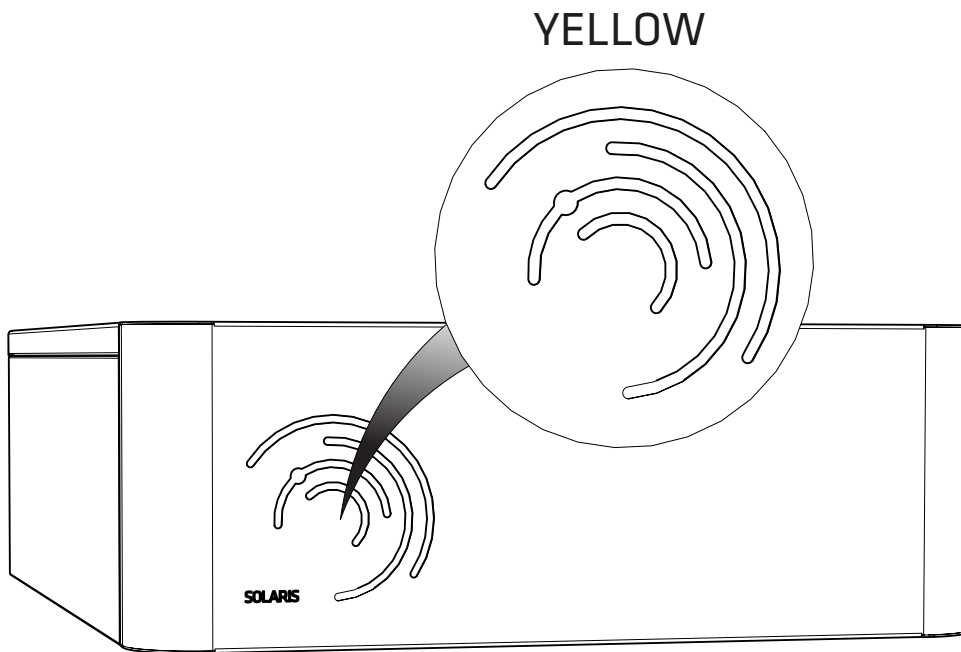
CAUTION ensure the correct cable has been selected for your electrical supply

6.



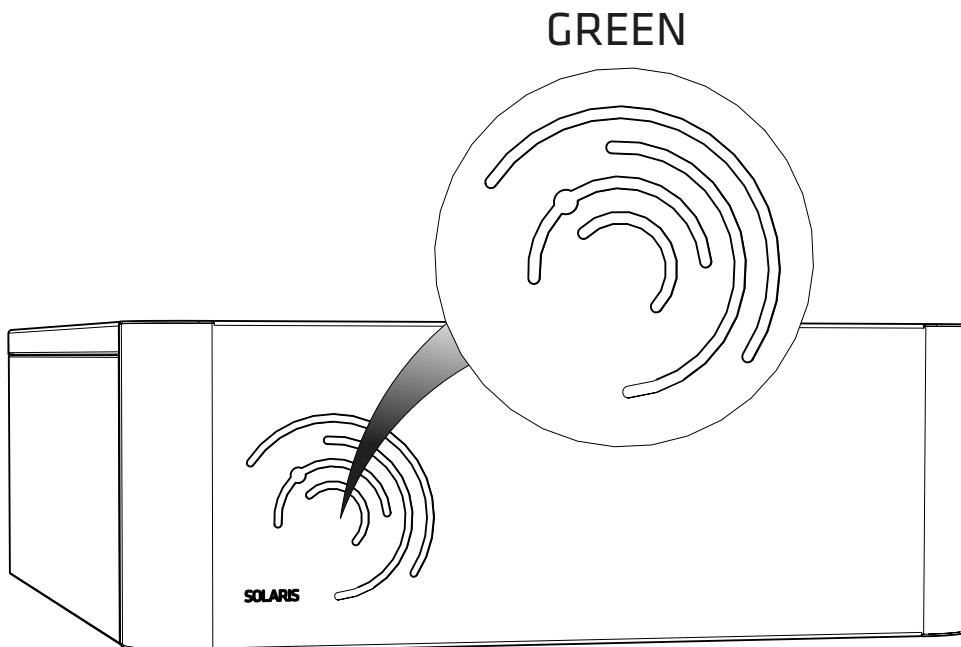
Press the **POWER** switch located at the rear of the generator.

7.



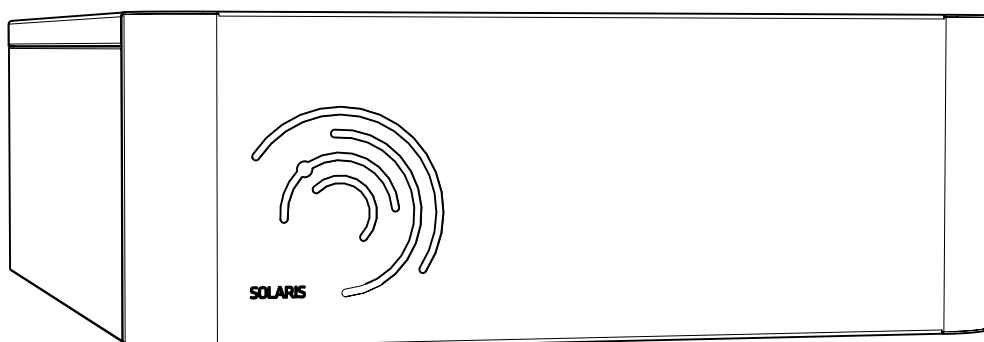
The **LEDs** on the front of the generator should now illuminate **YELLOW** as the unit starts up.

8.



The **LEDs** will illuminate **GREEN** to indicate that the generator is now ready to use.

9.



CONGRATULATIONS

Your **Peak Scientific** gas generator is now fully installed, operational and ready to supply gas on demand to your instrument.

General Notes

Electrical requirements are 100-230VAC nominal +/- 10% depending on chosen model. However, running continuously at voltages outwith this is not recommended. Extended periods at extremes can have a detrimental effect on the operation and life of the Generator.

Please familiarise yourself with the full **User Manual** available at **www.peakscientific.com/downloads** This includes all other technical specifications, operating instructions, service requirements, contact details and trouble shooting.

If you are using the **Solaris Air Compressor** as your air supply, please refer to the **Solaris Air Compressor Installation Guide**, available at **www.peakscientific.com/downloads**

Go Online or Complete and Return

We know that registering any of your recently purchased products is not the first thing on your mind- but it is very important to both of us. Not all warranties are alike and Peak Scientific stand out against other gas suppliers as we offer a comprehensive on-site warranty. This means that in the very unlikely case that your gas generator develops a fault we have rapid support teams on-hand throughout the globe who are able to come to your lab and get you back up and running in no time.

Register for your **comprehensive 12 month on-site warranty** with ease online at www.peakscientific.com/protected.

Alternatively, you can send the completed form to Peak Scientific by post or email at warranty@peakscientific.com.

Go Online or Complete and Return

You can register for your **FREE 12 month Warranty** with ease online at www.peakscientific.com/protected.

Alternatively, you can send the completed form to Peak Scientific by post or email at warranty@peakscientific.com.

Product Warranty Registration			
Contact name			
Email address			
Company			
Address			
City/town			
Postcode			
Country			
Telephone			
Generator serial #			
Model type			
Installation date			
Do you still use an alternative gas solution i.e. cylinders or bulk liquid?	Yes	No	
What gas requirements do you have in your lab?	Hydrogen	Nitrogen	Zero Air

Extend your cover with

Peak Scientific offer comprehensive gas generator after sales support packages. Peak [Protected] aftercare support can guarantee an on-site response within 72 hours*, genuine parts from our ISO9001 approved factory and a 95% first-time fix rate. See our enclosed Peak [Protected] leaflet for further information.

Important!

You have 1 month to register your Peak Scientific product from the date of installation. Once registered the warranty will be honoured for a period of 12 months. If you wish to defer the installation of your generator, you must notify Peak Scientific immediately by emailing warranty@peakscientific.com. For generators that remain unregistered after 1 month from the shipment date, the warranty will be considered active from the date of factory dispatch.

* Complete Plan only



Important!

You have **1 month to register** your Peak Scientific product from the date of installation. Once registered the warranty will be honoured for a period of 12 months. If you wish to defer the installation of your generator, you must notify Peak Scientific immediately by emailing warranty@peakscientific.com For generators that remain unregistered after 1 month from the shipment date, the warranty will be considered active from the date of factory dispatch.

Please visit www.peakscientific.com/downloads to download the full User Manual for your gas generator.

[**PEAK Protected**]TM

Peak Scientific has highly trained, fully certified Field Service Engineers located in over 20 countries across every continent around the world. This allows us to provide an industry-leading rapid response service to our customers. With [**Peak Protected**], your laboratory's productivity becomes our top priority.

To discuss Peak Protected generator cover and payment options speak to your local Peak Representative or for further information contact: protected@peakscientific.com

Peak Scientific

Fountain Crescent
Inchinnan Business Park
Inchinnan
PA4 9RE
Scotland, UK

Tel: +44 141 812 8100

Fax: +44 141 812 8200

For further information on any of our generator products please contact marketing@peakscientific.com