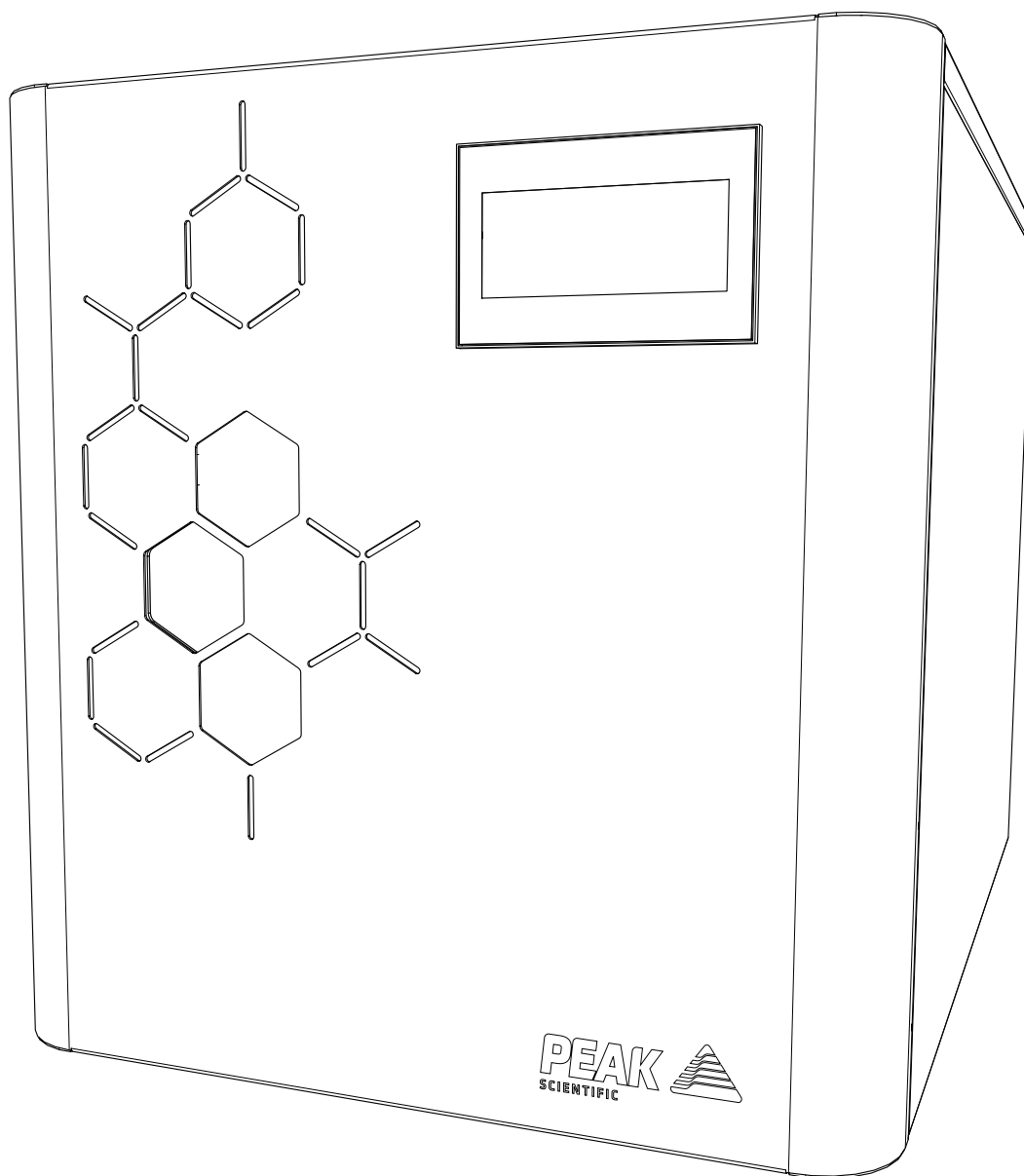
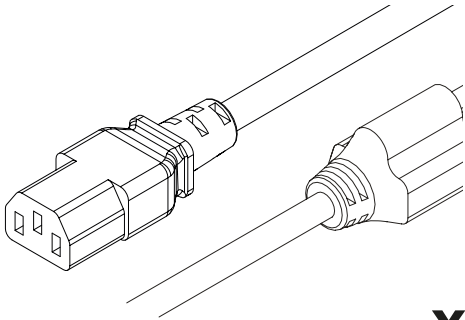


# Precision Hydrogen (All B&W Screen Models)

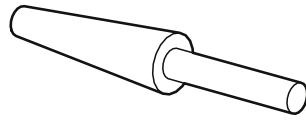
## Installation Guide



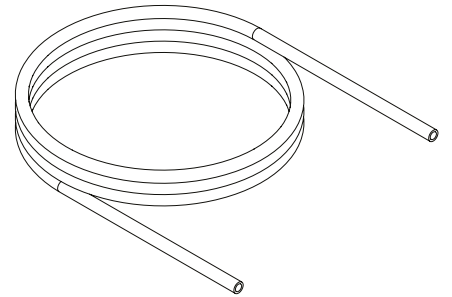
# Fittings Kit



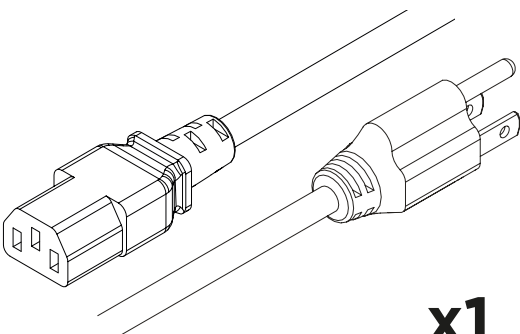
**x1**  
US Mains Cable C13 6-15 04-1029\*



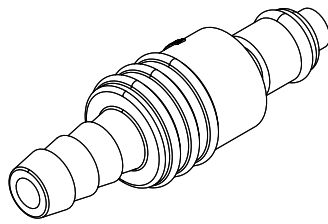
**x2**  
Transit Plug 3301437



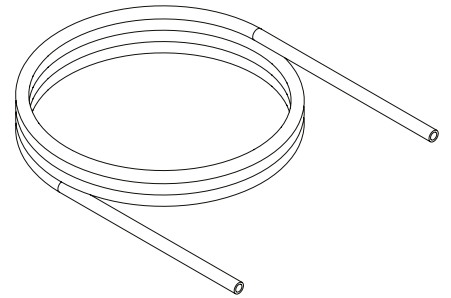
**x1m**  
Tygon Tubing 05-3131



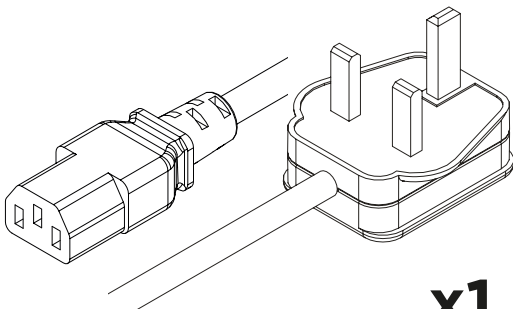
**x1**  
US Mains Cable C13 5-15 04-1039\*



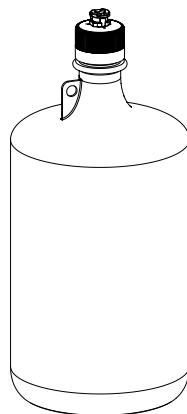
**x1\*\***  
Barbed Fitting 05-7029



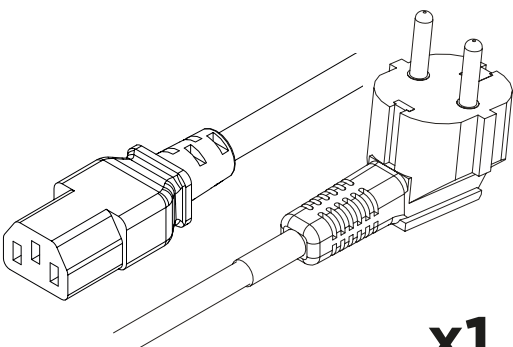
**x1m**  
\*\*\*\*Teflon Tubing 00-4411



**x1**  
UK Mains Cable C13 04-1028



**x1**  
\*\*\*4L Water Bottle 10-9016



**x1**  
EU Mains Cable C13 04-1038

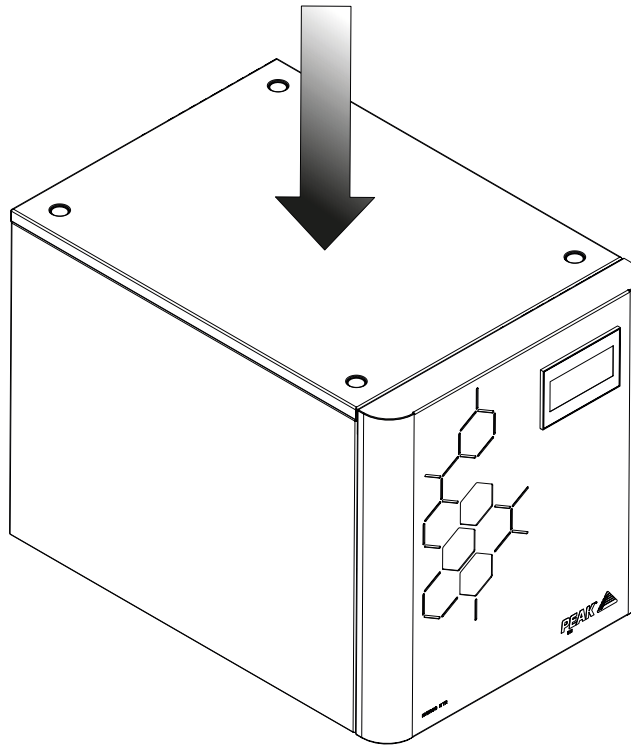
\* See Section 14, Regarding Connection Type

\*\* Additional Barbed Fitting with 4L Water Bottle

\*\*\* Optional Extra

\*\*\*\* Precision Hydrogen Trace Only

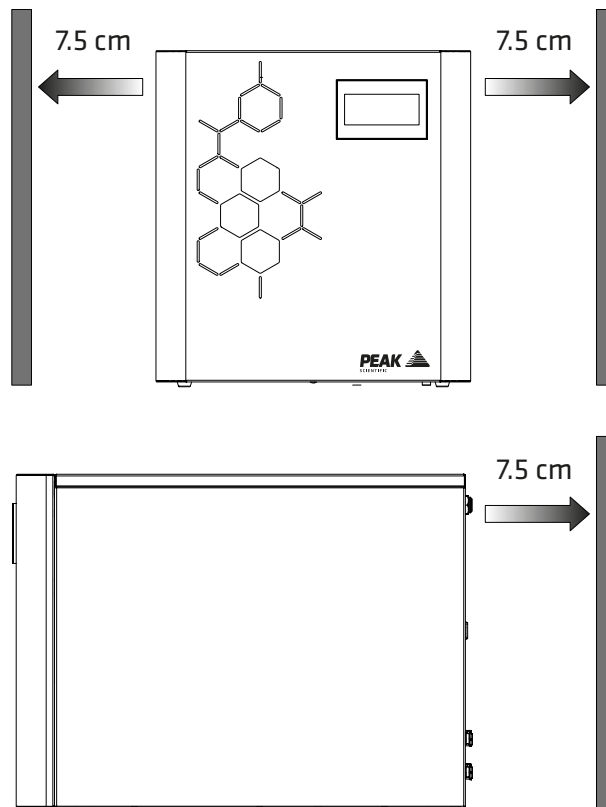
1.



Unpack the generator from the shipping crate and position on a flat surface, in desired area.

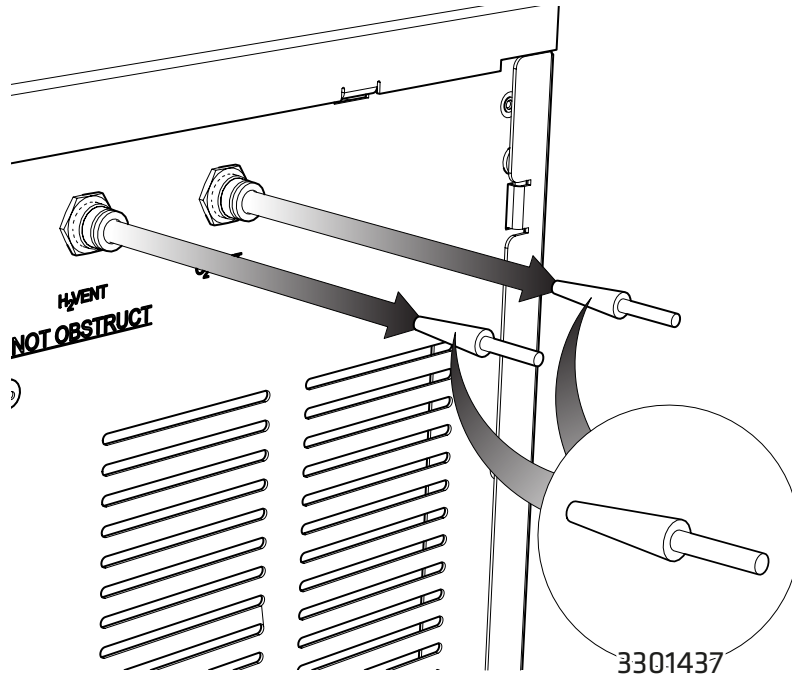
**CAUTION** the weight of the unit constitutes a two man lift. Safe lifting practices are advised.

2.



Ensure that there is at least 7.5 cm of space, to the sides and rear of the generator.

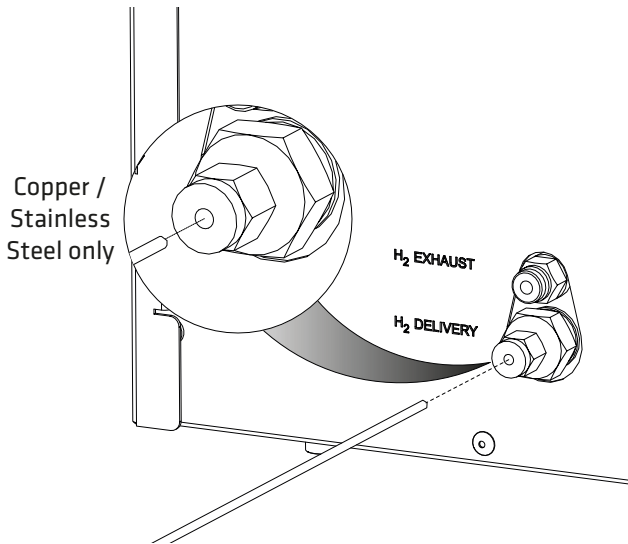
3.



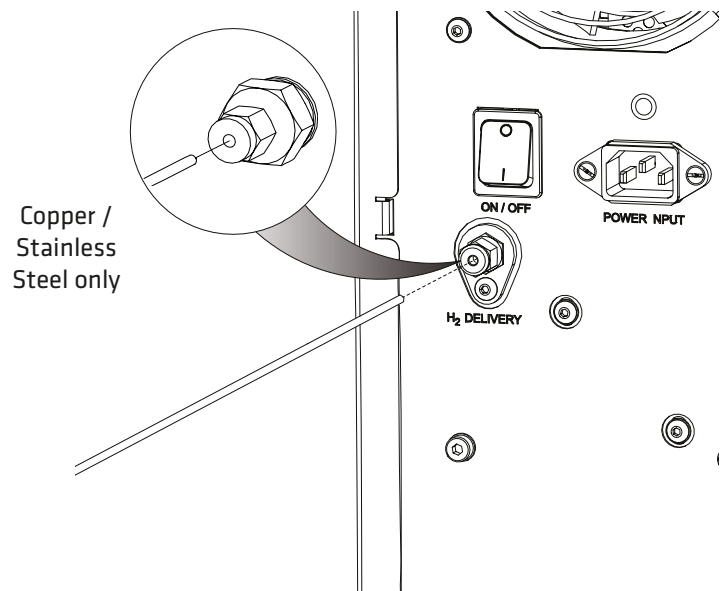
Remove the **two Transit Plugs** from the **H<sub>2</sub>** and **O<sub>2</sub> Vent** ports located at the rear of the generator.

4.

### Hydrogen Trace

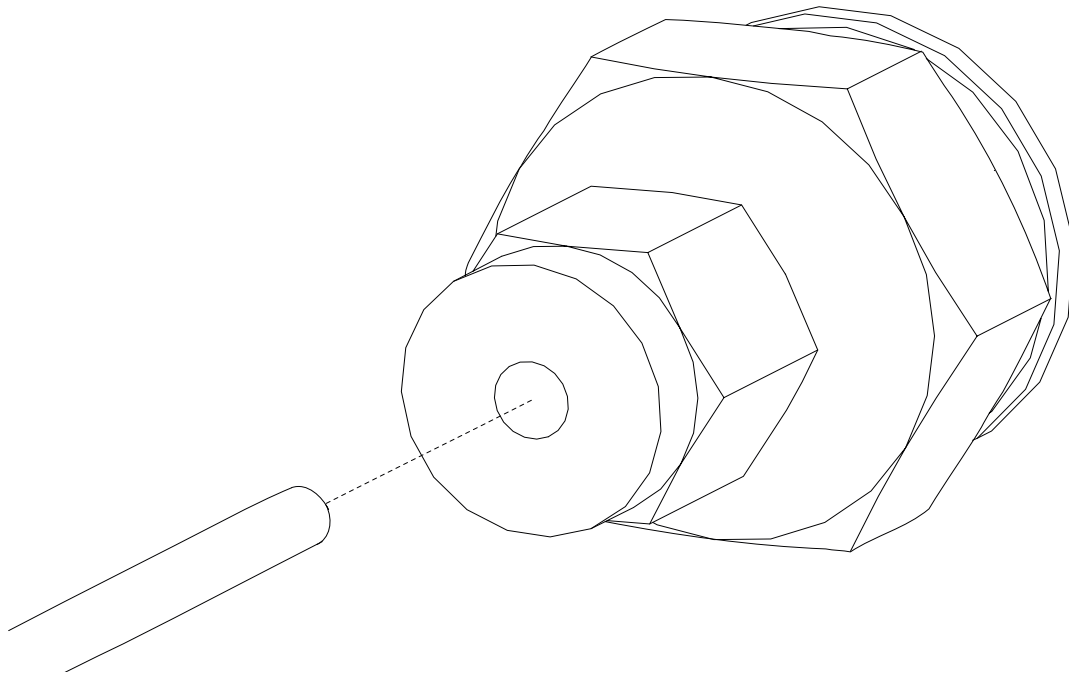


### Hydrogen



Connect tubing, to the **H<sub>2</sub> Delivery** port at the rear of the generator. Tubing must be clean grade copper or stainless steel only.

5.

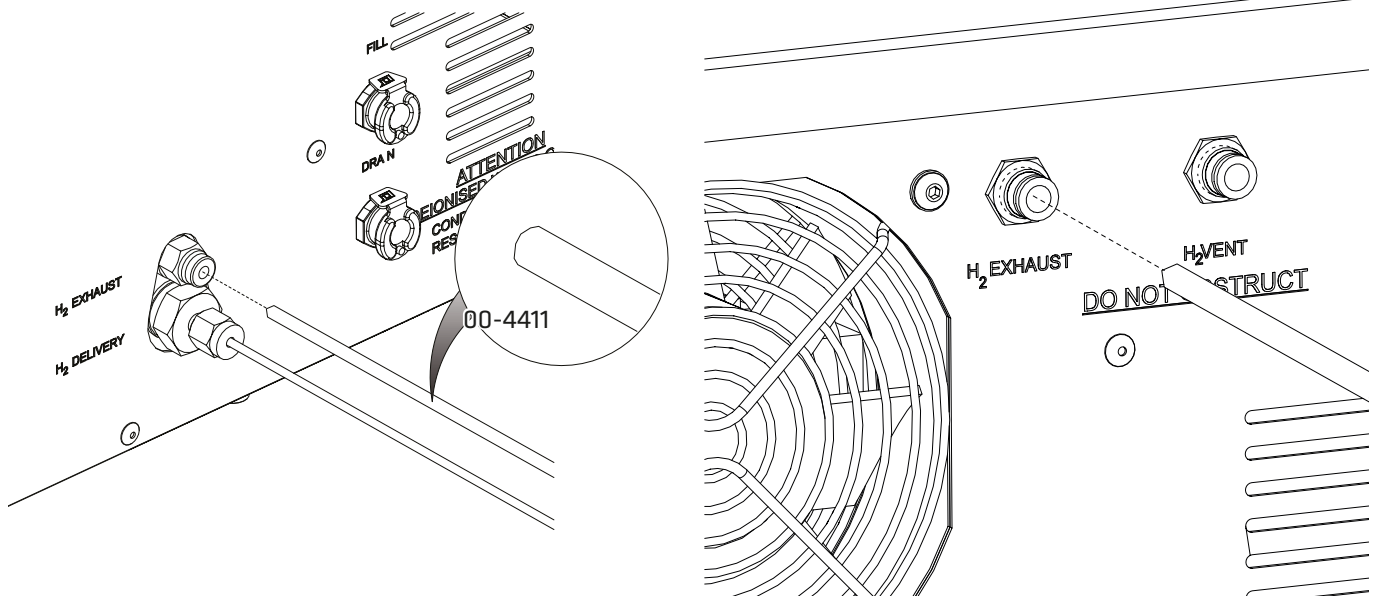


Connect the other end of the tubing to the **Application**.

6.

### Hydrogen Trace

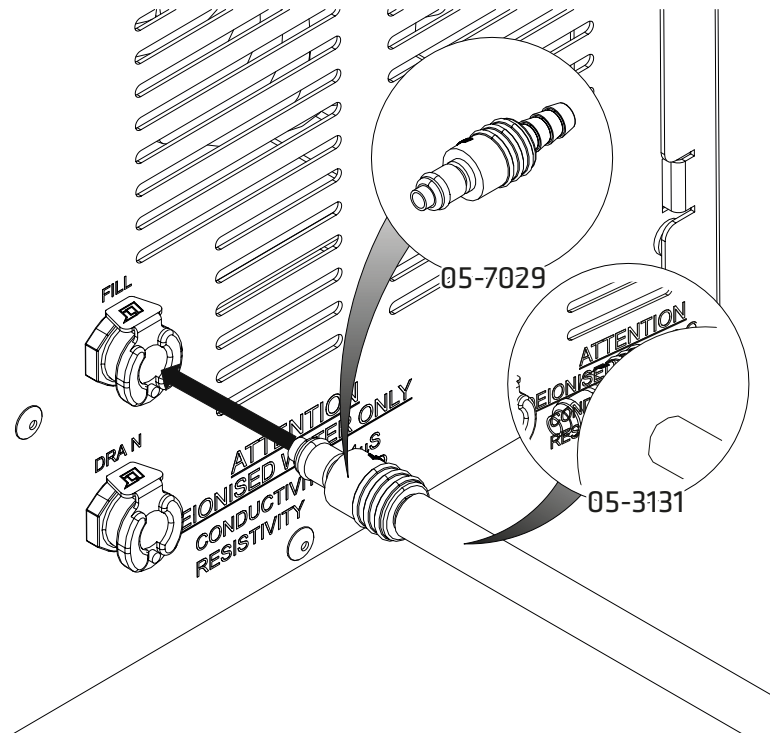
### Hydrogen



Fit appropriate tubing to **H<sub>2</sub> Exhaust** output. For **Trace** models use the supplied **Teflon Tubing**.

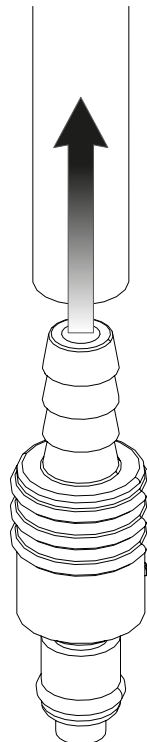
Flow from the exhaust is minimal during operation.

7.



The **Tygon Tubing** and **Barbed Fitting** supplied in the generator fittings kit should be connected to the **Fill** port at the rear of the generator.

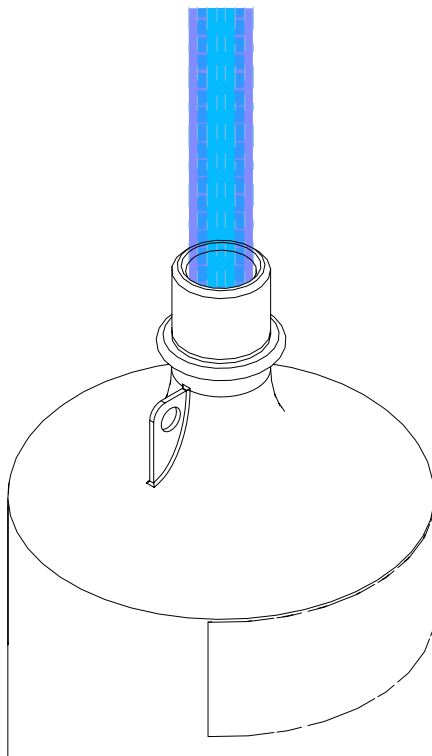
8.



If using a **Peak Water Bottle**, connect the remaining **Barbed Fitting**, from the fittings kit, to the other end of the **Tygon Tubing**.

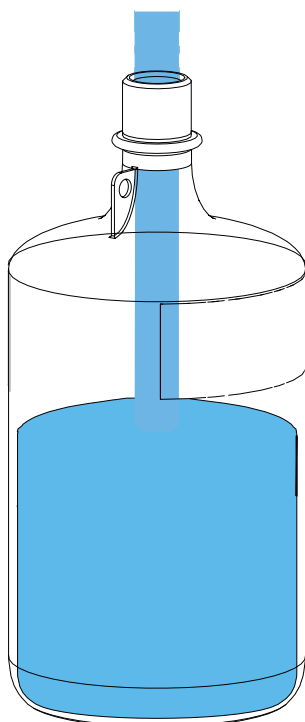
If using an alternative water bottle, connect the **Tygon Tubing** to your **High Grade De-Ionised Water Supply (<1  $\mu\text{S}/\text{cm}$ )** and **continue from step 13**.

9.



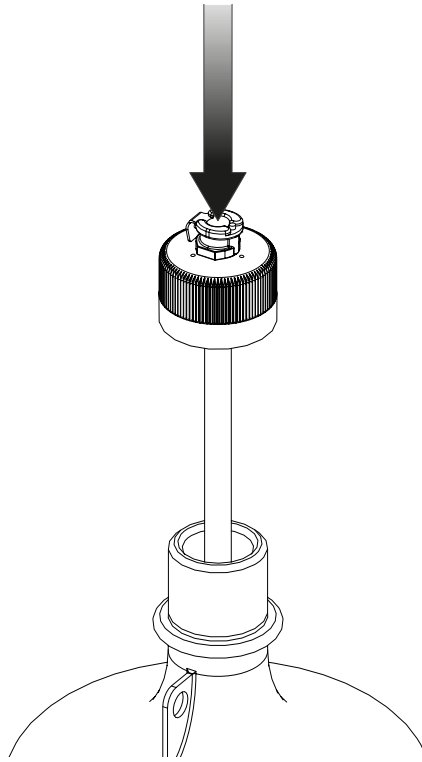
Remove the lid from the bottle by unscrewing anticlockwise and rinse the bottle with **High Grade De-Ionised Water (<math><1 \mu\text{S}/\text{cm}</math>).**

10.



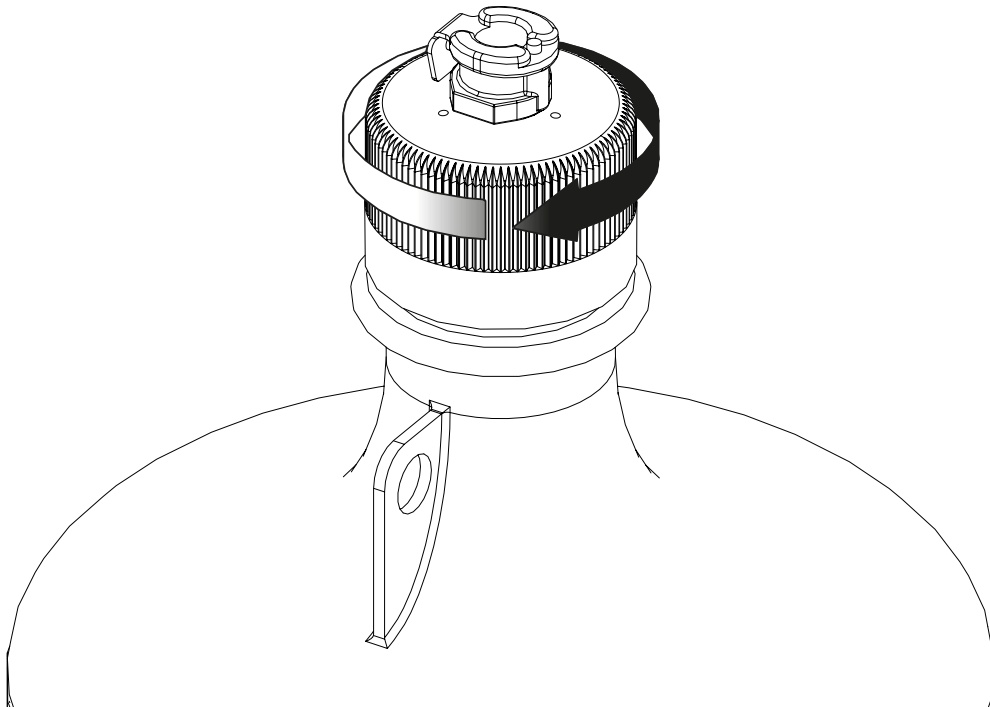
After the bottle has been rinsed it should be filled with **High Grade De-Ionised Water (<math><1 \mu\text{S}/\text{cm}</math>).**

11.



Once the bottle has been **filled**, replace the **lid**.

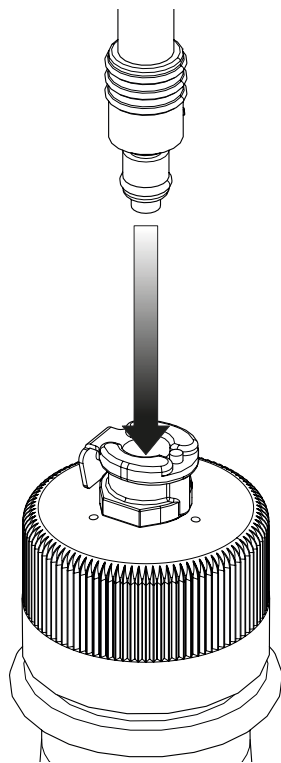
12.



Ensure the **lid** is securely fastened by turning it **clockwise**, and that the air-holes on the lid are **free from obstruction**.

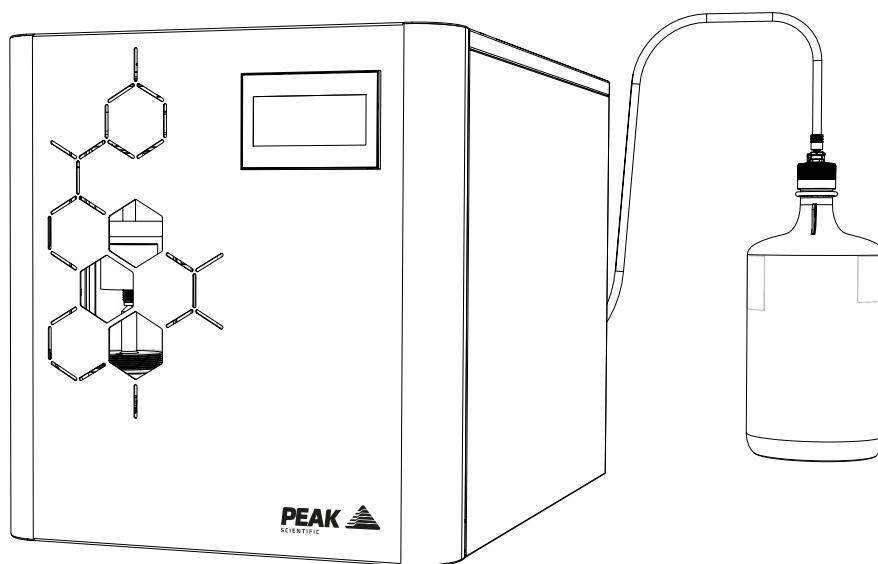


13.



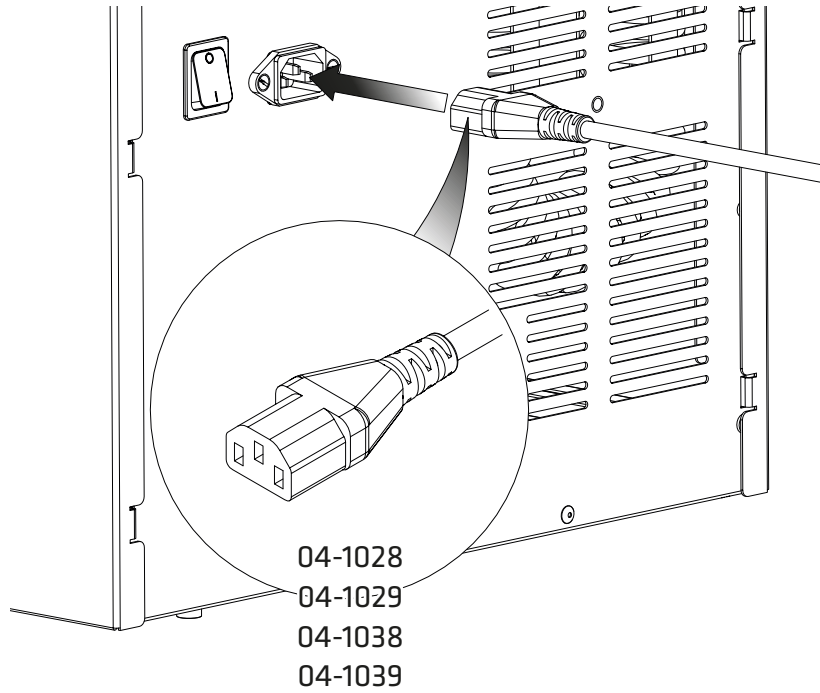
Connect the **Barbed Fitting** on the end of the **Tygon Tubing** to the connection on the top of the filled **Water Bottle**, ensuring there is a secure connection.

14.



Make sure the **Water Bottle** is on a level surface at the **same height as the generator**.

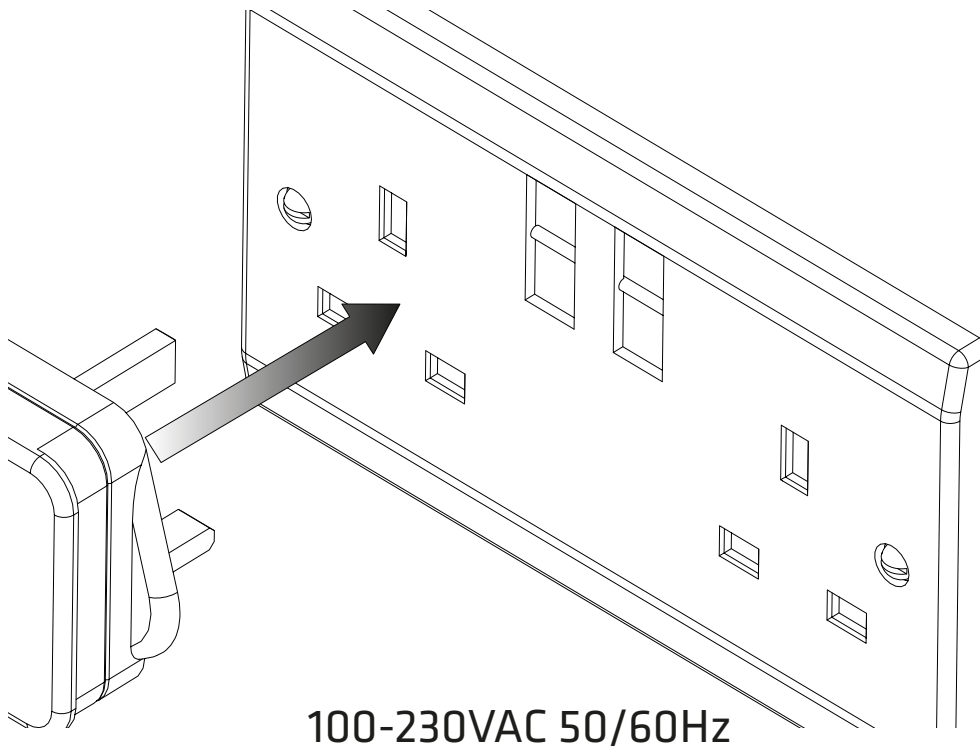
15.



Select the appropriate mains cable from the fittings kit and insert the IEC 60320/C13 plug into the mains input at the rear of the generator.

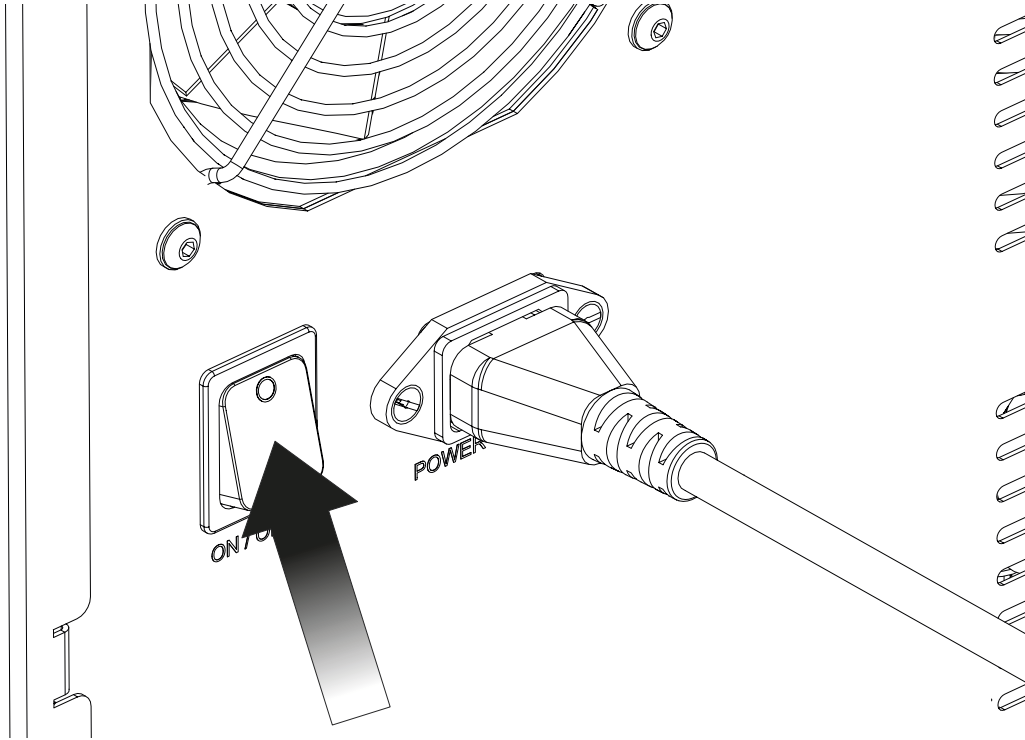
**Please note both 110V and 230V US cables have been supplied, ensure correct mains cable is used to match the rating on the generators serial plate.**

16.



Plug the **mains cable** into an appropriate **100-230VAC 50/60Hz single phase power supply**.

17.



Turn the generator on, using the **switch** on the back of the unit.

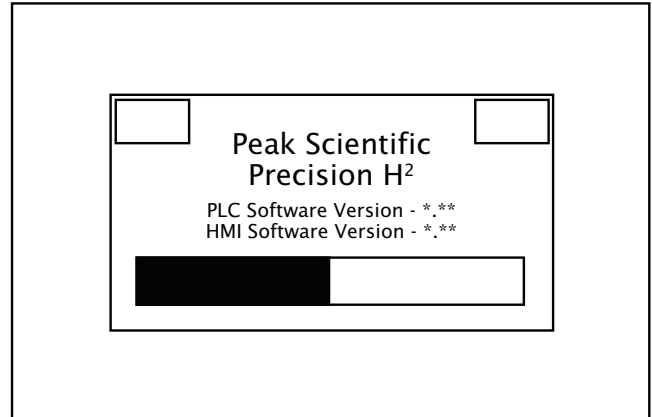
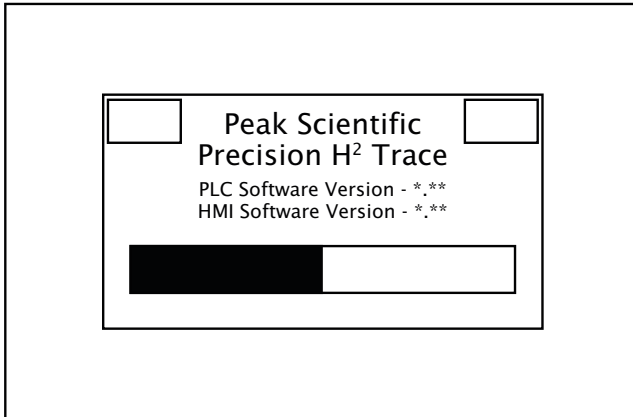
18.



The touch HMI screen will **illuminate** and the **start screen** will be displayed.

## 19. Hydrogen Trace

## Hydrogen

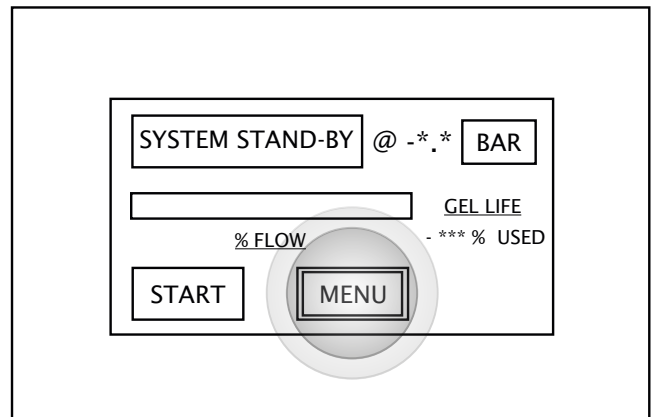
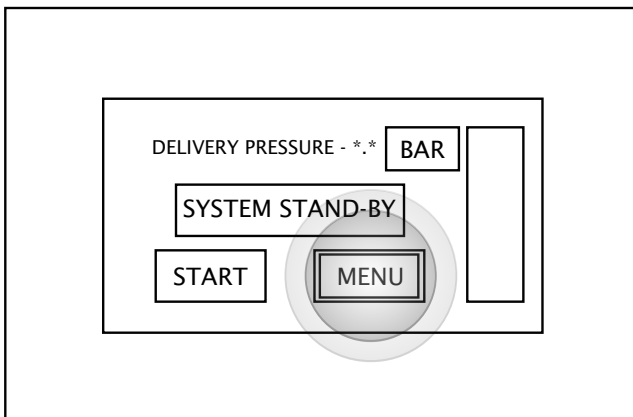


The system will now run **diagnostics** and a **leak detection** test.

**Note: In the unlikely event that diagnostics are unsuccessful, an alarm will sound and a red failure screen will be displayed, complete with a mute button. The user is prompted at this point to contact their Peak service provider.**

## 20. Hydrogen Trace

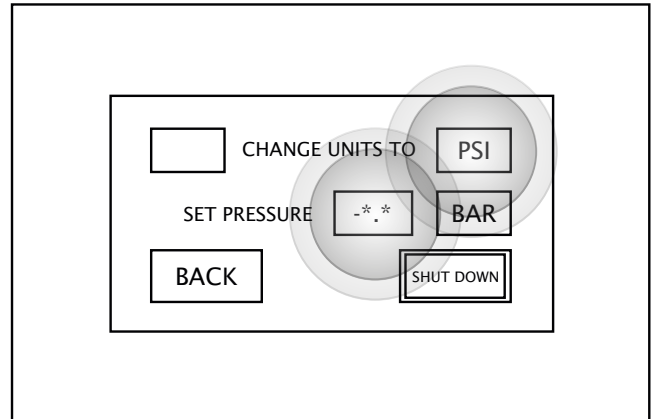
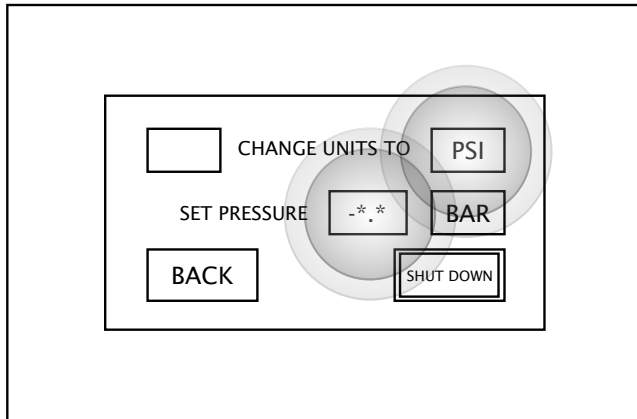
## Hydrogen



Upon completion of the diagnostic checks, the home screen will be displayed. The user should now **select MENU**.

## 21. Hydrogen Trace

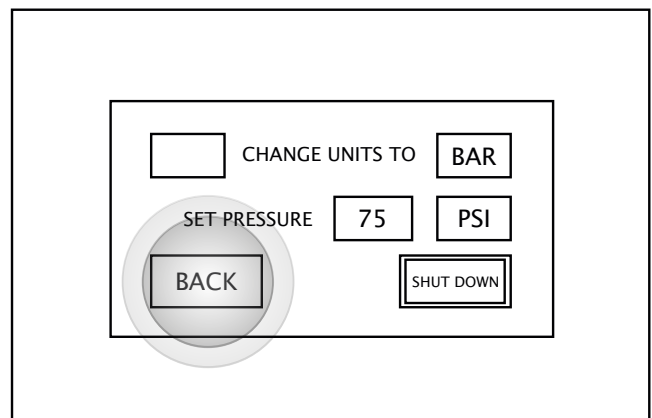
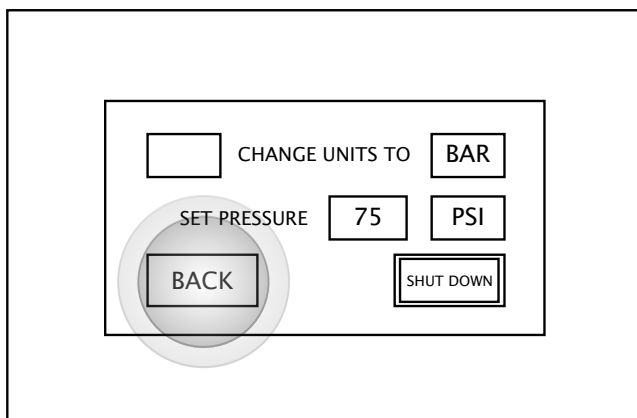
## Hydrogen



The desired unit of measure and pressure should now be selected, by pressing the **unit** or **pressure displayed**.

## 22. Hydrogen Trace

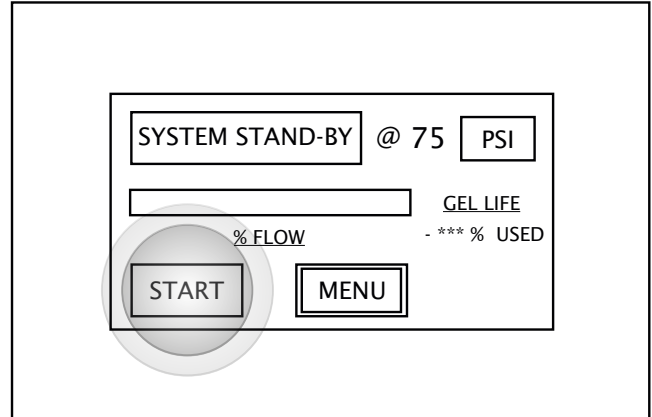
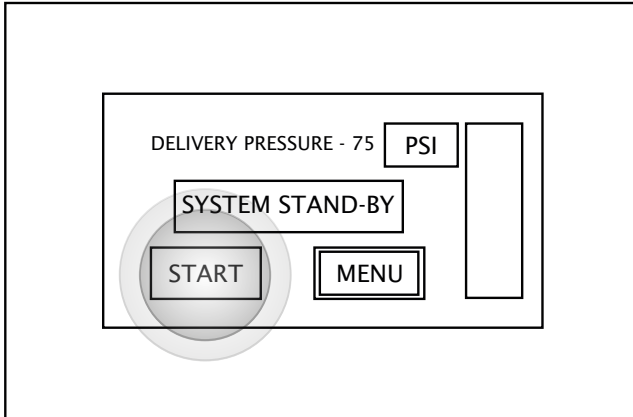
## Hydrogen



Once the desired unit of measure and pressure have been selected, pressing **BACK** will return the user to the home screen.

## 23. Hydrogen Trace

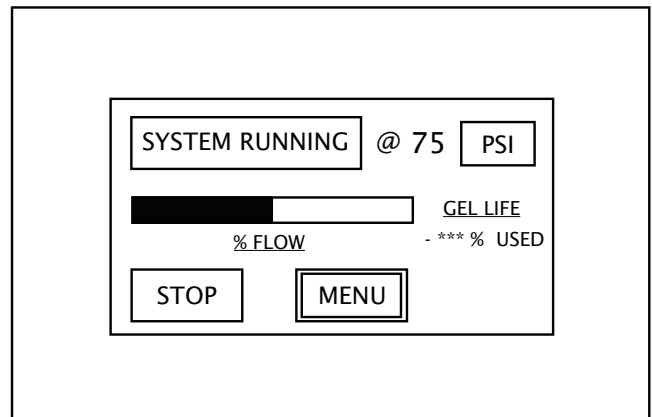
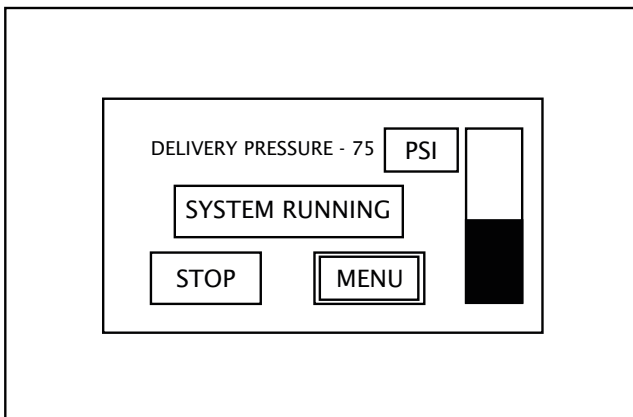
## Hydrogen



Pressing **START** will start the supply to the application. The unit may take a few minutes to adjust to the desired pressure.

## 24. Hydrogen Trace

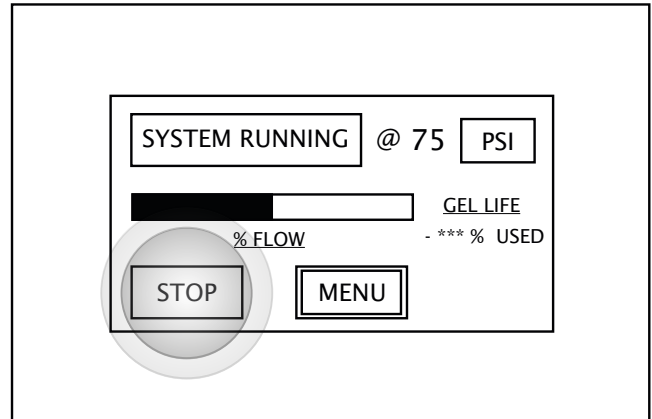
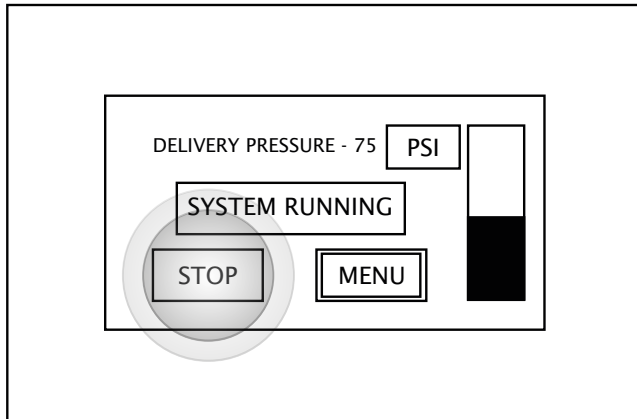
## Hydrogen



The unit will now maintain the desired pressure, while the application is supplied.

## 25. Hydrogen Trace

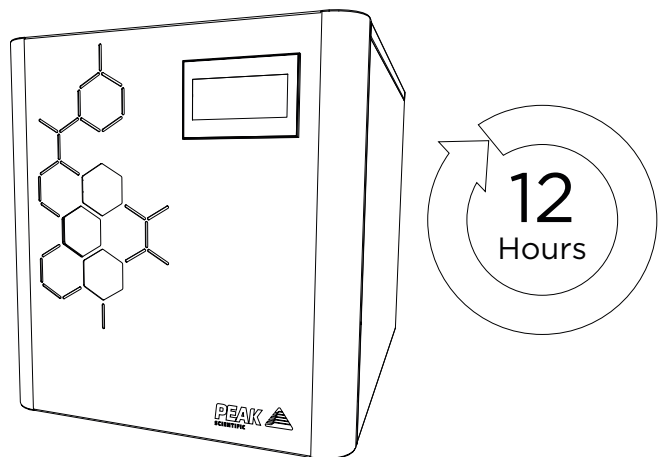
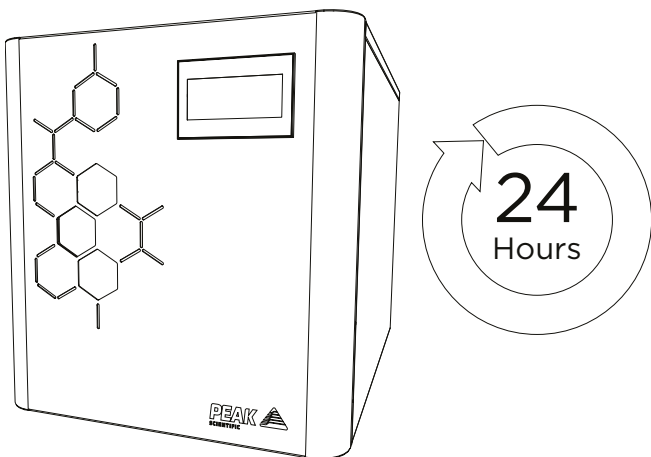
## Hydrogen



The system can be stopped at any time by pressing **STOP**. This will return the generator to Standby mode.

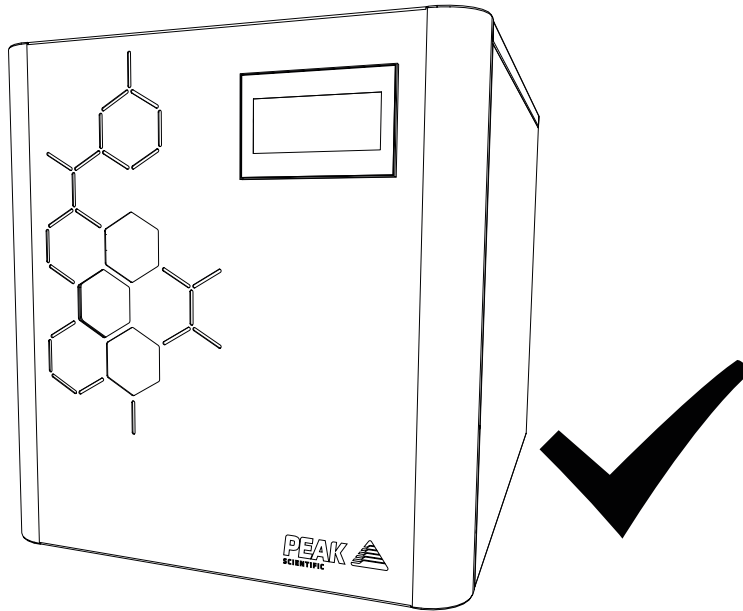
## 26. Hydrogen Trace

## Hydrogen



It is recommended that the unit is left to run for **12 hours** (Hydrogen) or **24 hours** (Hydrogen Trace) before utilisation.

27.



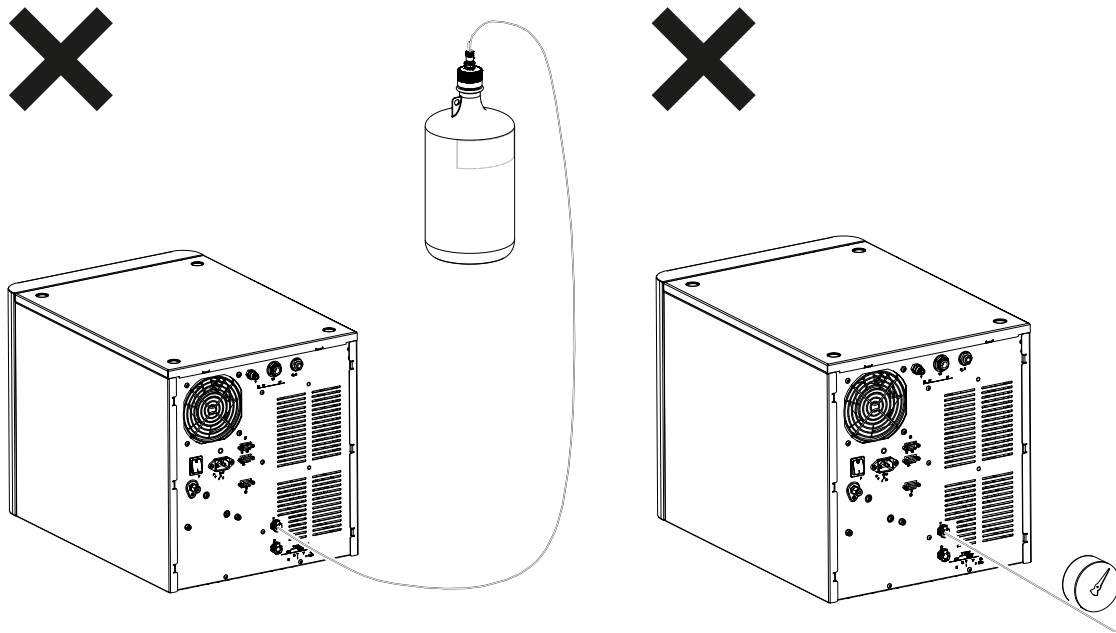
# CONGRATULATIONS

Your **PEAK SCIENTIFIC** gas generator is now fully installed, operational and ready to supply gas on demand to your instrument.



## General Notes

Ensure water supply bottle is not located above the height of the generator, and that the supply is not pressurised.



Electrical requirements are 100-230V rms nominal. However, running continuously at voltages outwith this is not recommended. Extended periods at extremes can have a detrimental effect on the operation and life of the Generator.

Ensure that all pipework between generator and equipment is checked for leaks.

Please familiarise yourself with the full **User Manual** supplied at **[www.peakscientific.com](http://www.peakscientific.com)**. This includes all other technical specifications, operating instructions, service requirements, contact details and trouble shooting.

It is very important to register your generator with PEAK SCIENTIFIC. This will initiate your warranty entitlement. Please use the form on the next page to register your generator. You will need the generators serial number which can be found on the serial label on the rear of the generator.

# Go Online or Complete and Return

You can register for your **FREE 12 month Warranty** with ease online at [www.peakscientific.com/protected](http://www.peakscientific.com/protected).

Alternatively, you can send the completed form to Peak Scientific by post or email at [warranty@peakscientific.com](mailto:warranty@peakscientific.com).

**Go Online or Complete and Return**

You can register for your **FREE 12 month Warranty** with ease online at [www.peakscientific.com/protected](http://www.peakscientific.com/protected).

Alternatively, you can send the completed form to Peak Scientific by post or email at [warranty@peakscientific.com](mailto:warranty@peakscientific.com).

Product Warranty Registration			
Contact name			
Email address			
Company			
Address			
City/town			
Postcode			
Country			
Telephone			
Generator serial #			
Model type			
Installation date			
Do you still use an alternative gas solution i.e. cylinders or bulk liquid?	Yes	No	
What gas requirements do you have in your lab?	Hydrogen	Nitrogen	Zero Air

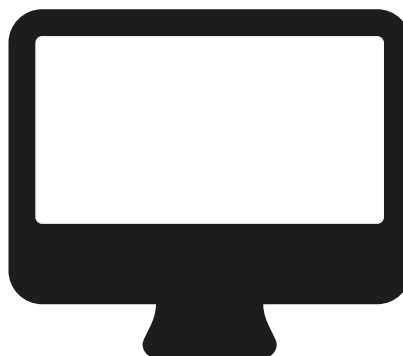
**Extend your cover with**

Peak Scientific offer comprehensive gas generator after sales support packages. Peak [Protected] aftercare support can guarantee an on-site response within 72 hours\*, genuine parts from our ISO9001 approved factory and a 95% first-time fix rate. See our enclosed Peak [Protected] leaflet for further information.

**Important!**

You have 1 month to register your Peak Scientific product from the date of installation. Once registered the warranty will be honoured for a period of 12 months. If you wish to defer the installation of your generator, you must notify Peak Scientific immediately by emailing [warranty@peakscientific.com](mailto:warranty@peakscientific.com). For generators that remain unregistered after 1 month from the shipment date, the warranty will be considered active from the date of factory dispatch.

\* Complete Plan only



## Important!

You have **1 month to register** your Peak Scientific product from the date of installation. Once registered the warranty will be honoured for a period of 12 months. If you wish to defer the installation of your generator, you must notify Peak Scientific immediately by emailing [warranty@peakscientific.com](mailto:warranty@peakscientific.com). For generators that remain unregistered after 1 month from the shipment date, the warranty will be considered active from the date of factory dispatch.



# [**PEAK Protected**]<sup>TM</sup>

Peak Scientific has highly trained, fully certified Field Service Engineers located in over 20 countries across every continent around the world. This allows us to provide an industry-leading rapid response service to our customers. With [**Peak Protected**], your laboratory's productivity becomes our top priority.

To discuss Peak Protected generator cover and payment options speak to your local Peak Representative or for further information contact: [protected@peakscientific.com](mailto:protected@peakscientific.com)

## **Peak Scientific**

Fountain Crescent  
Inchinnan Business Park  
Inchinnan  
PA4 9RE  
Scotland, UK

**Tel:** +44 141 812 8100

**Fax:** +44 141 812 8200

For further information on any of our generator products please contact [marketing@peakscientific.com](mailto:marketing@peakscientific.com)