

Genius XE SCI 2

Gas generator designed in collaboration with SCIEX

Part Number : See Reverse

Service Kit : See Reverse



Your local **gas generation partner**

Description

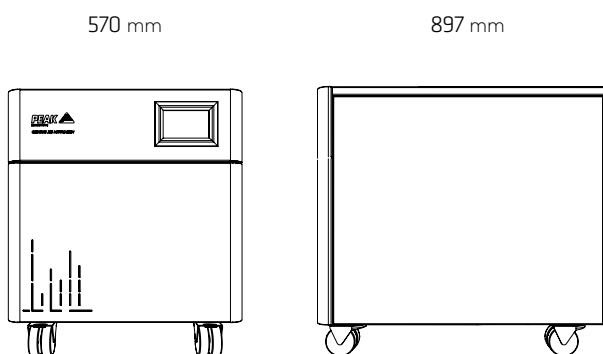
Developed in collaboration with SCIEX for the next generation of SCIEX mass spectrometry systems, the Genius XE SCI 2 gas generator is a cutting-edge evolution in laboratory gas generation combining advanced technology with refined and robust engineering. A premium standalone nitrogen and air solution for the new SCIEX Triple Quad™ 7500 LC-MS/MS System - QTRAP® Ready, Genius XE SCI 2 also supports the higher gas flow requirements of the recently released Echo® MS System.

Featuring Multi-Stage Purification™ and next-generation integrated compressors with Electronic Compressor Optimization™ (ECO) technology, Genius XE SCI 2 delivers a reliable and cost-efficient source of both nitrogen (Curtain Gas™) and clean, dry oil-free air for source and exhaust gas at flows and pressures configured to meet the SCIEX Triple Quad™ 7500 LC-MS/MS System and Echo® MS System requirements.

With a once annual service schedule and a compact footprint, to fit under most lab benches, Genius XE SCI 2 is a convenient solution for SCIEX users, maximizing uptime and productivity.

Applications

- Echo® MS System
- SCIEX Triple Quad™ 7500 LC-MS/MS System



Key Features

- Designed specifically to meet exact demands of the SCIEX Triple Quad™ 7500 LC-MS/MS System and Echo® MS System* when and if required, no manual input needed
- 24/7 performance- next generation high performance premium compressors, ensuring maximum uptime of your LC-MS instrument
- ECO (Electronic Compressor Optimisation™) technology for increased compressor durability and reduced carbon footprint
- Repeatability- Multi-Stage Purification™ to reduce moisture and contaminants providing consistent quality of gas
- Low impact on laboratory with low noise and heat emissions
- Significantly reduced footprint, to fit under most standard lab benches
- No external compressed air source required
- Fixed Annual Service Interval- service downtime limited to once a year

* Echo and Echo MS are trademarks or registered trademarks of Labcyte, Inc. in the United States and other countries, and are being used under license.

Technical Specifications

Genius XE SCI 2

Minimum Operating Ambient Temperature	5°C (41°F)
Maximum Operating Ambient Temperature	30°C (86°F)
Curtain Maximum Flow^	Up to 26 L/min @ 4.1 bar (0.88 cfm @ 60 psi)
Source Maximum Flow^	Up to 32 L/min @ 7.3 bar (1.13 cfm @ 105 psi)
Exhaust Maximum Flow^	Up to 25 L/min @ 4.8 bar (0.88 cfm @ 70 psi)
Particles	<0.01µm
Phthalates	None
Suspended Liquids	None
Electrical Requirements	220 - 240v ±10% 50/60 Hz, 9 Amps
Power Consumption	<1,640 VA
Maximum Heat Output	5545 BTU/hr
Noise Level	57dB(A) @ 1m
Dimensions (H x W x D)	700 x 570 x 897 mm 28 x 23 x 36"
Weight	103Kg (227 Lbs)

^NOTE - These performance characteristics are valid only when paired with an approved Sciex application. Please refer to current application matrix for a list of supported products.

Ordering Information

Part Number	3303145
Annual Service	visit: www.peakscientific.com/ordering
Complete Maintenance Plan	

[PEAK Protected]™

Peak Scientific gas generators define the benchmark in reliability, convenience and performance in laboratories around the world, and come backed by a 12 month warranty. Beyond this period, however, you can ensure that your investment continues to be **[Protected]** by our comprehensive generator care cover.

Our world-class aftercare support packages deliver a program of scheduled preventative maintenance whilst giving you the reassurance of instant access to worldwide technical support and priority on-site response in the untimely event of a breakdown.

Peak Scientific UK
Tel: +44 (0)141 812 8100
Fax: +44 (0)141 812 8200

Peak Scientific North America
Tel: +1-800-767-6532
Fax: +1-978-608-9503

Peak Scientific China
Tel: +86 21 5079 1190
Fax: +86 21 5079 1191
 For a full list of our worldwide office locations, please visit:

Web: www.peakscientific.com
Email: discover@peakscientific.com

Peak Scientific's Quality Management System conforms to: ISO:9001:2008



Product Certifications

