

Genius XE SMZ

Dedicated nitrogen generator solution for Shimadzu LC-MS instruments

Part Number : 3303886

Service Kit : See reverse



Your local **gas generation** partner

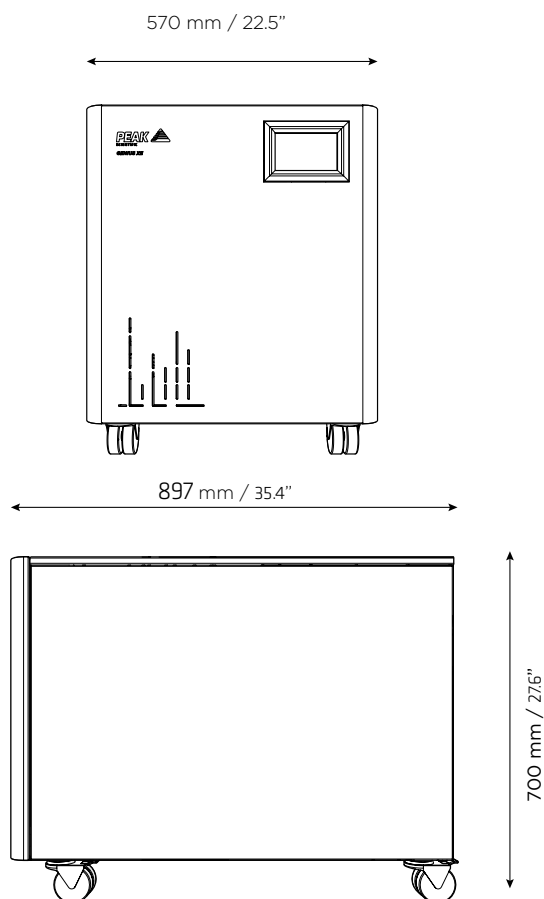
Description

Combining advanced technology with refined and robust engineering and built upon the best-in-class Genius XE nitrogen generator series, Genius XE SMZ provides a premium standalone nitrogen solution designed to meet and exceed the requirements of the latest high performance Shimadzu LC-MS instruments where performance and reliability are paramount.

With dual outlets (1 x nitrogen, 1 x air), Genius XE SMZ has been precision engineered to provide LC-MS grade nitrogen on-demand from a small and quiet gas generator. Featuring Multi-Stage Purification™ and next-generation integrated compressors with Electronic Compressor Optimization™ (ECO) technology, Genius XE SMZ can comfortably support the latest Shimadzu LC-MS instruments including the LCMS-8060NX.

Applications

- Shimadzu LCMS-8060NX
- Shimadzu LCMS-9030
- Shimadzu LCMS-8045 in standard or high gas delivery mode
- Shimadzu LCMS-8050 in standard or high gas delivery mode
- Shimadzu LCMS-8060 in standard or high gas delivery mode



Key Features

- Designed and engineered to meet the demands of the latest Shimadzu LC-MS instruments
- Multi-Stage Purification™ to efficiently remove moisture and contaminants, providing a consistent quality of gas
- Low impact on lab environment with low noise and heat emissions
- Next-generation high performance premium compressors, engineered exclusively for Genius XE
- Touch-screen full color user interface for ease of use and operation
- ECO (Electronic Compressor Optimisation™) technology for low energy consumption and compressor durability
- Fixed annual maintenance schedule
- 2 year comprehensive manufacturer's warranty*

Technical Specifications	Genius XE SMZ
Nitrogen Maximum Flow	27 L/min @ 6.89 bar (0.95 cfm @ 100 psi)
Air Maximum Flow	29 L/min @ 6.89 bar (1.02 cfm @ 100 psi)
Dewpoint	Nitrogen ≤ -40°C Dry Air ≤ -20°C
Gas Outlets	2 x 1/4" BSPP
Drain Outlet	1 x 1/4" BSPP
Particles	<0.01µm
Phthalates	None
Suspended Liquids	None
Operating Temperature	15°C (59°F) to 30°C (86°F)
Electrical Requirements	220 - 240v ±10% 50/60 Hz
Power Consumption	1.64 kVA
Heat Output	<5545 BTU
Noise Level	57dB(A) @ 1m
Generator Dimensions (H x W x D)	700 x 570 x 897 mm 27.6 x 22.5 x 35.4"
Generator Weight	155 Kg

Ordering Information	
Part Number	3303886
Annual Service	visit: www.peakscientific.com/ordering
Complete Maintenance Plan	

[PEAK Protected]™

Peak Scientific gas generators define the benchmark in reliability, convenience and performance in laboratories around the world, and come backed by a 2 year warranty*. Beyond this period however you can ensure that your investment continues to be **[Protected]** by our comprehensive generator care cover.

Our world-class aftercare support packages deliver a program of scheduled preventative maintenance whilst giving you the reassurance of instant access to worldwide technical support and priority on-site response in the untimely event of a breakdown.

***Year 2 of warranty subject to generator being serviced at end of year 1 by a Peak-approved agent in accordance with fixed annual maintenance schedule. For full terms and conditions visit www.peakscientific.com/warranty-statement**

Peak Scientific UK
Tel: +44 (0)141 812 8100
Fax: +44 (0)141 812 8200

Peak Scientific North America
Tel: +1 866 647 1649
Fax: +1 978 608 9503

For a full list of our worldwide office locations, please visit: www.peakscientific.com/offices

Web: www.peakscientific.com
Email: discover@peakscientific.com

Peak Scientific's Quality Management System conforms to:
ISO 9001:2015



Product Certifications

