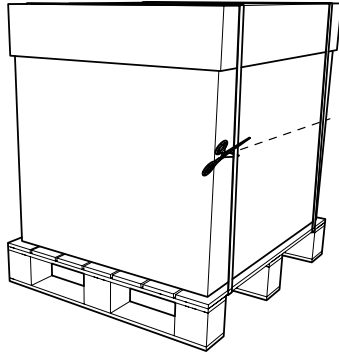


Genius XE Series (All Models)

Unpacking Instruction

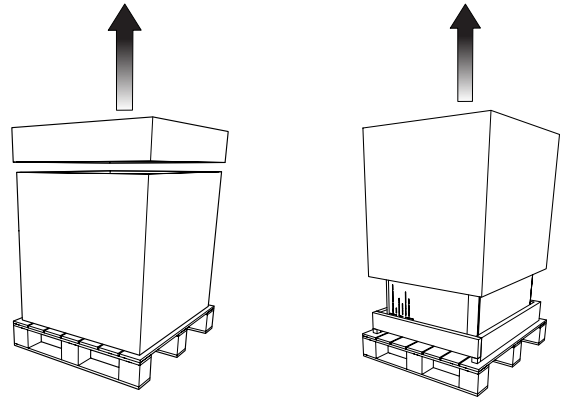
Please note, the unpacking process requires 2 people 🧑🧑

1.



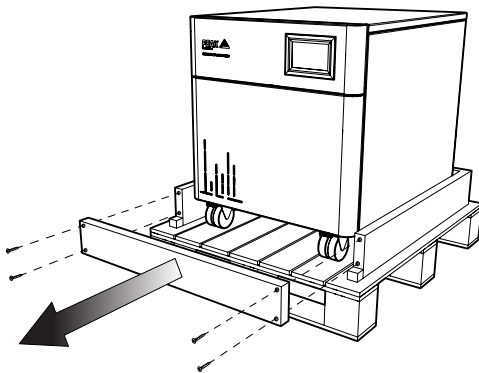
Cut the plastic strapping and **remove**.

2.



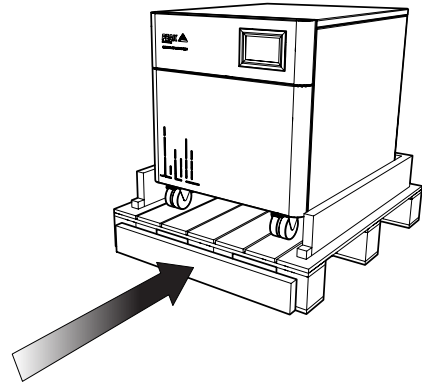
Remove cardboard lid, protective foam packaging and cardboard sleeve. **Remove** the plastic covering the generator.

3.



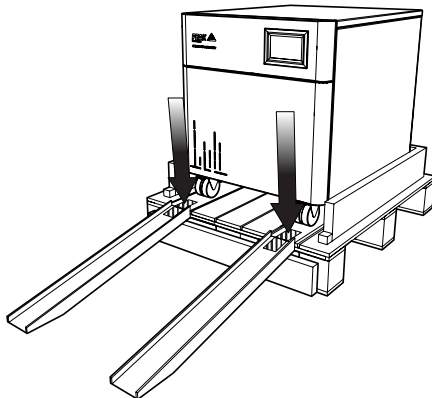
Remove the four screws shown, these will be marked in red and **remove the front bar**.

4.



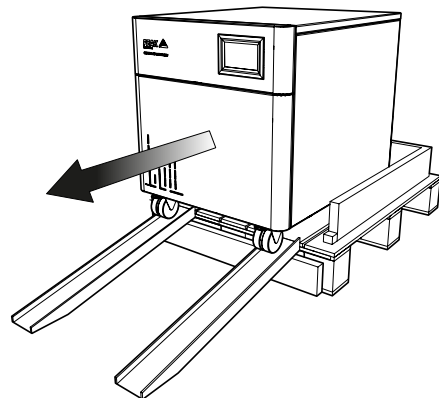
Place the front bar against the front of the pallet. **Failure to complete this step can cause damage to the generator.**

5.



Attach the ramps to the front of the pallet using the hook and loop straps. Ensuring they are aligned with the wheels.

6.



Release the brakes and **carefully manoeuvre Generator** down the ramps and into final position.

Important information on **reverse side**. →

ATTENTION

**Register product to
operate and activate
2 year comprehensive
on-site warranty***



*Warranty Notice: 2nd year of 2 year warranty subject to completion of preventative maintenance, carried out within 13 months of installation. For terms and conditions please visit www.peakscientific.com/warranty-statement/