

Installation and Directions for Use *Zero Air Gas Generator*

ZA180 (19" Rack System)

**Peak Scientific Instruments Ltd
Fountain Crescent
Inchinnan Business Park
Inchinnan
Renfrewshire
PA4 9RE**

**T.(Europe) +44 (0) 141 812 8100
T.(USA) +1 866 647 1649 (sales)
T.(USA) +1 866 732 5427 (tech support)**

F.(Europe) +44 (0) 141 812 8200

**info@peakscientific.com
sales@peakscientific.com
support@peakscientific.com**

www.peakscientific.com



Contents

	<u>Page No</u>
Document Change History	2
Warranty Statement	5
Introduction	6
Unpacking & Installation	6
Electrical Connection	6
Air Connection	7
Principle of Operation	8
Commissioning	9
Routine Maintenance	9
Technical Specifications	10
System Diagram	11
Maintenance Log	12
Notes	13

Safety First

It is important that you thoroughly read and understand this manual before operating or servicing this Peak Scientific Instruments Gas Generator. **PLEASE NOTE THE FOLLOWING CAUTIONS AND WARNINGS FOR YOUR OWN SAFETY.**

! Caution –

Only authorized persons should operate or service this equipment.

! Warning –

To avoid risk of electrical shock, personal injury, or death disconnect power before removing any cover of this equipment.

! Caution –

To avoid risk of personal injury NEVER disconnect any pipe, fitting, or filter bowl while the system is pressurized. Always allow pressure to dissipate before opening the system.

! Warning –

The Catalytic Process requires very high temperatures. Internal surfaces and copper lines are extremely hot and will cause burns. Always allow the generator to cool before carrying out any servicing.

Warranties and Liabilities

- 1) The Company warrants that it has title to the Goods.
- 2) Subject to the provisions of this clause the Company warrants that the Goods shall comply in all material respects with any specification referred to in the Order Confirmation (as the same may be amended) and shall, subject thereto, be free from defects in material and workmanship for the lesser of a period of twelve months from the date of delivery or thirteen months from the date of dispatch from the factory.
- 3) Save as provided in this clause and except where the Goods are sold to a person dealing as a consumer (within the meaning of the Unfair Contract Terms Act 1977) all warranties, conditions or other terms implied by statute or common law are hereby expressly excluded save to the extent they may not be lawfully excluded. When the Goods are sold to a consumer within the meaning of the Unfair Contract Terms Act 1977 their statutory rights are not affected by the provisions of this clause.
- 4) In the event of the Customer making a claim in respect of any defect in terms of clause 2 hereof the Customer must:-
 - 4.1) Reasonably satisfy the Company that the Goods have been properly installed, commissioned, stored, serviced and used and without prejudice to the generality of the foregoing that any defect is not the direct or indirect result of lack of repair and/or servicing, incorrect repair and/or servicing, use of wrong materials and/or incorrect spare parts; and
 - 4.2) Allow the company to inspect the Goods and/or any installation and any relevant packaging as and when reasonably required by the Company.
- 5) Subject to the Company being notified of any defect as is referred to in sub-clause 2 hereof within a reasonable time of it becoming apparent and subject always to the terms of sub-clause 4 hereof, the Company shall, in its option, replace or repair the defective Goods or refund a proportionate part of the Price. The Company shall have no further liability to the Customer (save as mentioned in sub-clause 6 hereof).
- 6) The Company shall be liable to indemnify the Customer in respect of any claim for death or personal injury to any person in so far as such is attributable to the negligence or breach of duty of the Company or any failure by the Company to comply with the provisions of sub-clause 2 hereof.
- 7) Save as provided in sub-clause 2 hereof the Company shall not be liable in respect of any claim by the Customer for costs, damages, loss or expenses (whether direct, indirect, consequential or otherwise) or indemnity in any respect howsoever arising including, but not by way of limitation, liability arising in negligence (other than pursuant to clause 6 above) that may be suffered by the Customer or any third party,

SAFETY NOTICE TO USERS

These instructions must be read thoroughly and understood before installation and operation of your Peak Gas Generator. Use of the Generator in a manner not specified by Peak Scientific Inst. MAY impair the SAFETY provided by the equipment.

When handling, operating or carrying out any maintenance, personnel must employ safe engineering practices and observe all relevant local health and safety requirements and regulations. The attention of UK users is drawn to the Health and Safety at Work Act 1974, and the Institute of Electrical Engineers regulations.

1 Introduction

The Peak Scientific Instruments range of Zero Air Gas Generators is designed to produce a constant flow of Zero Grade Air with a Hydrocarbon content (as Methane) of less than 0.1 ppm.

2 Unpacking and Installation.

Although Peak Scientific take every precaution with safe transit and packaging, it is advisable to fully inspect the unit for any sign of transit damage.

ANY DAMAGE SHOULD BE REPORTED IMMEDIATELY TO THE CARRIER AND PEAK SCIENTIFIC OR THE DISTRIBUTOR FROM WHERE THE UNIT WAS PURCHASED.

After unpacking and a visual inspection, the unit should be placed in a ventilated area away from direct sunlight. Care should be taken not to obstruct the ventilation holes on the bottom of the unit or the fan outlet to the rear.

The generator is designed to be installed inside a standard 19" telecom cabinet. The generator requires 4U space overall.

Performance of the generator (like all sophisticated equipment) is affected by ambient temperatures and humidity. Prolonged operation in temperatures exceeding 28°C will shorten the life of the unit. Operation in relative humidity exceeding 70% may result in moisture carry-over. Additional moisture traps should be installed downstream of the generator should ambient regularly exceed 70% Rh. and also if the generator is any distance from the application. Moisture traps or coalescers should be located as close to the application as possible. Note should also be taken of the proximity of Air Conditioning outlets. These can sometimes give rise to "pockets" of air with high relative humidity. Operation of the generator within such a pocket could adversely affect its performance.

3 Electrical Connection

Important Electrical Notice

This unit is classified as SAFETY CLASS 1 equipment. THIS UNIT MUST BE EARTHED. Before connecting the unit to the mains supply, please check the information on the serial plate. The mains supply must be of the stated AC voltage and frequency.

EARTH/GROUND (E): -	Green & Yellow	or	Green
LIVE (L): -	Brown		Black
Neutral (N): -	Blue		White

Fuse

The generator protection fuse is located within the bayonet cap panel mounted fuse holder on the front panel. The fuse is rated at 10.0 AMP.

Connect the generator to a single-phase supply using the power cord provided.

4 Air Connection

The inlet and outlet connections are 1/4" BSP female.

The Inlet air should conform to the following specifications:

Minimum Pressure	85 psig
Maximum Pressure	125 psig
Maximum Hydrocarbon Content	100 ppm

The inlet air should be oil free and pre-filtered to remove bulk moisture. Although not essential, an air dryer up-stream of the generator will ensure a long and trouble free life.

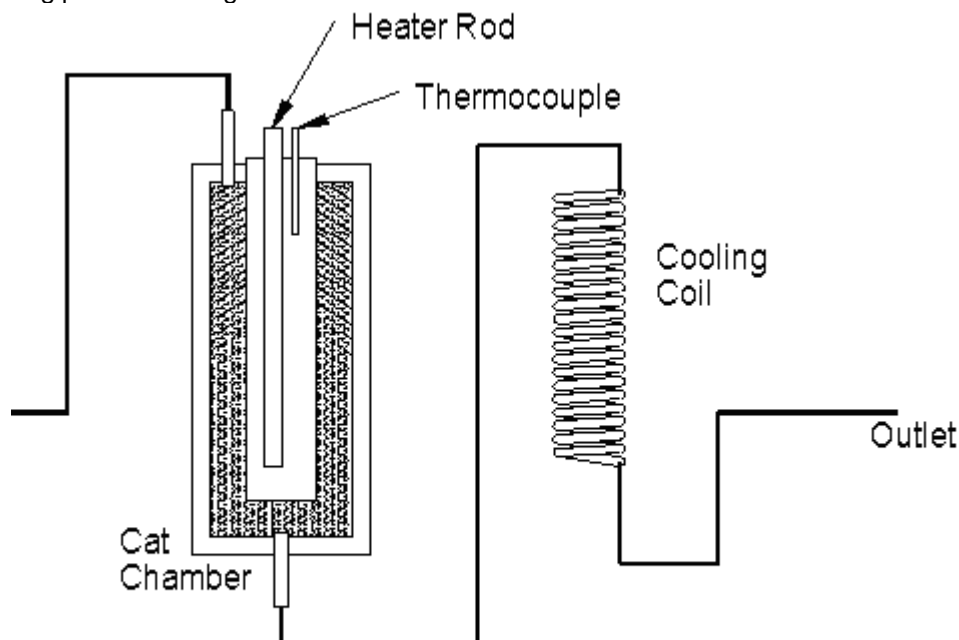
Note the platinum catalyst within the Zero Air Catalytic Chamber will become poisoned if it comes into contact with any halogenated hydrocarbons, silicone sprays, silicone greases, phosphorous compounds, lead components, high sulphur vapours or other catalyst poisons.

The air supply should be connected to the generator inlet on the back panel left side of the cabinet (looking from the front). The user's application should be connected to the outlet on the right side of the cabinet. To avoid leakage/impurity ingress, use PTFE tape on all fittings.

Slowly, turn on the air supply until the required pressure is attained. There is no physical method of restricting the gas output from the generator. The user should therefore ensure that the application only receives a maximum flow not exceeding the rating for the generator. Demand in excess of the rated capacity will result in higher levels of hydrocarbons in the delivered gas.

5 **Principle of Operation**

The ZA180-19R Zero Air generator works on the fundamental principle of Catalytic Oxidation as illustrated in the following pneumatic diagram.



Zero Air Generation

Inlet air is passed into the Generator then passed to the 'Zero Air' catalytic combustion chamber. This works on the principle of catalytic oxidation where hydrocarbons from the incoming compressed air supply are *cracked* to carbon dioxide and water. The hydrocarbon level in the form of methane is reduced to <0.1ppm, for this process to work the catalyst requires to be heated to approximately 400 degrees Celsius. The free Carbon and Hydrogen atoms then combine with Oxygen in the air to form Carbon Dioxide and Water.

After the catalytic chamber the air passes through a simple cooling coil to reduce its temperature to a safe level. This is assisted by a cooling fan.

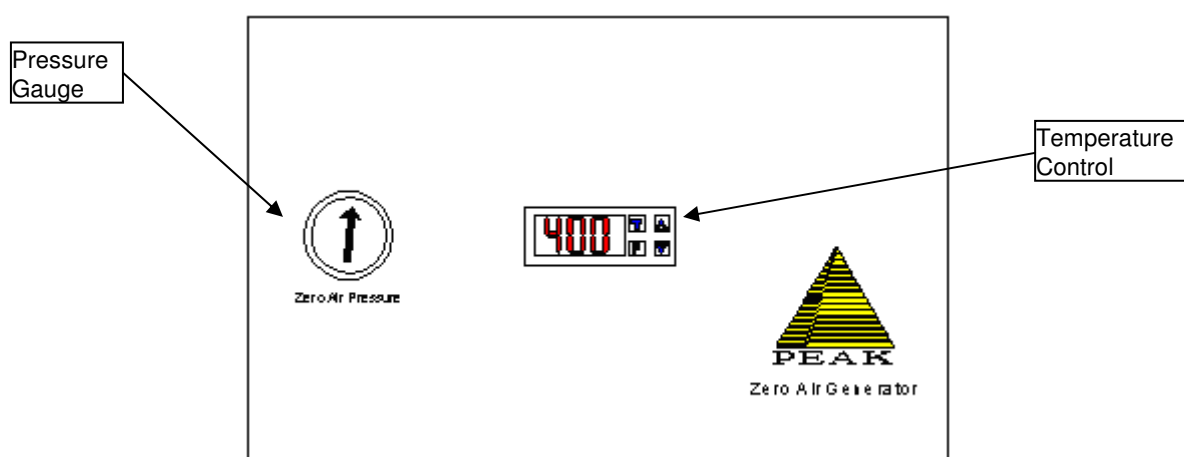
6 Commissioning

This should be undertaken by a technically competent person.

With the generator installed as described earlier remove the top cover. Check that all the internal components are securely located and have not become dislodged during transit.

Re-fit the top cover before proceeding further.

The Front Panel is shown below.



Connect the generator to the electrical supply and turn the unit *ON*. The unit will begin to build up pressure as will be seen from the pressure gauge. The Digital Display shows the Catalyst Chamber temperature. This is factory set at 400°C. (normal operation may see this reading range between 390-410 °C) The generator should reach operating temperature within 40 minutes of switch-on.

Check that the cooling fans are operating and exhausting air out of the generator.

Do not touch any part of the Catalytic Chamber or Copper Lines as they will be VERY Hot.

7 Routine Maintenance

Due to the simplicity of design and the small number of parts the Peak Zero Air Generator will have a long and trouble free life. However as with all scientific and technical equipment it should be regularly inspected by a competent person.

8 Technical Specifications

General Details

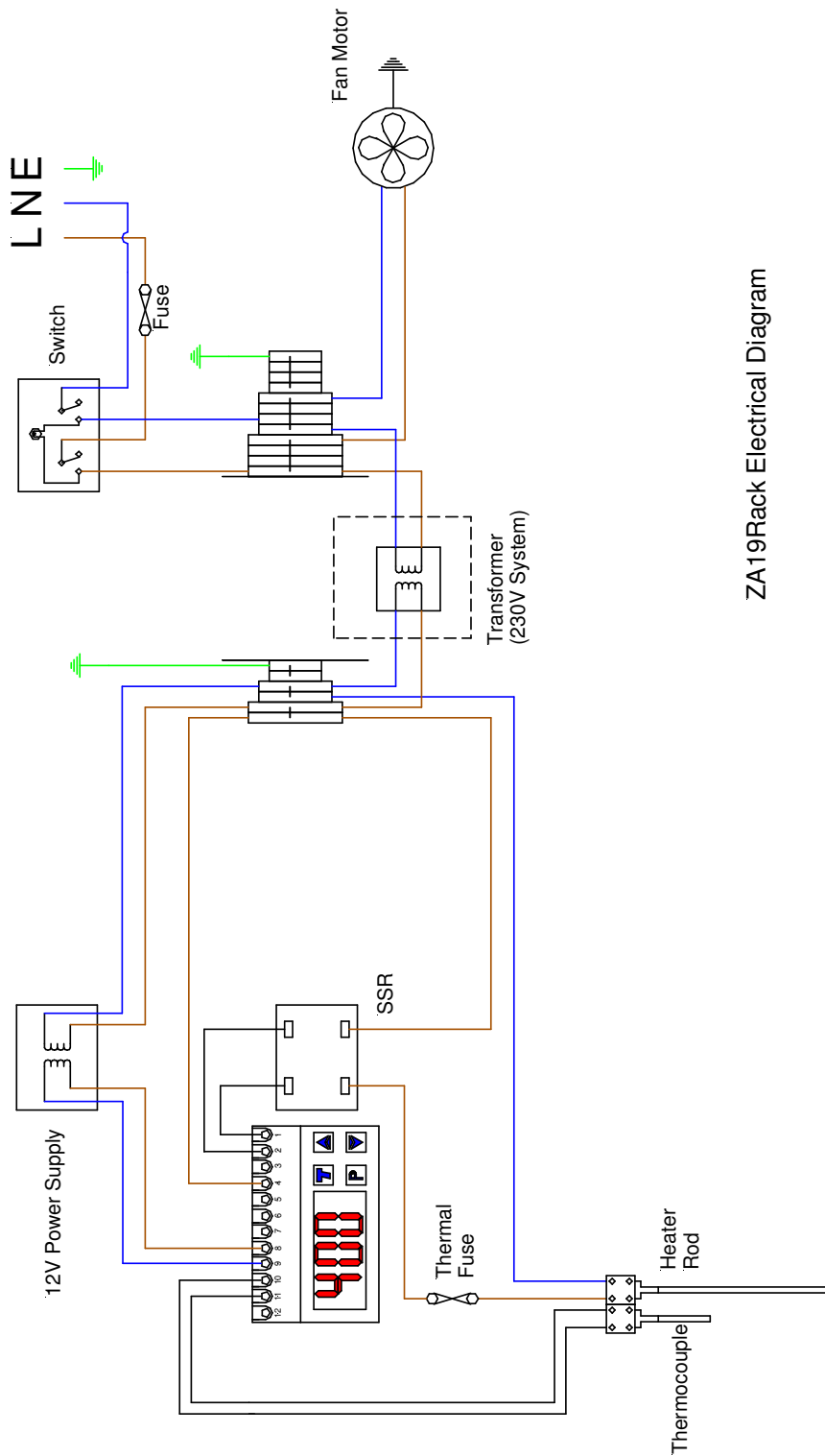
Minimum Operating Ambient Temperature	5 °C (41 °F)
Maximum Operating Ambient Temperature	28 °C (82 °F)
Inlet Conditions (Instrument Grade)	
Minimum Air Inlet Pressure	85 psig
Maximum Air Inlet Pressure	125 psig
Maximum Hydrocarbon Content	100 ppm
Start up time for specified hydrocarbon concentration	Approx. 40 minutes

Physical Details

<u>Model</u>	<u>ZA180R</u>
Max Output (Litres/min)	18 l/min
Heater Watts	450W
Fan Watts	9W
Electrical Requirements (110V 60Hz)	4.2 A
Dimensions (H x W x D) cm	18x48x43
Inches	7x19x17
Weight Kg	13
Lbs	28.6

Parts List

<u>Model</u>	<u>ZA180R</u>
Catalytic chamber	06-1075
Heater Element	04-1059
Thermocouple	04-1051
Cooling Fan (220V)	04-1021



ZA19Rack Electrical Diagram

Maintenance Log

Model- _____

Serial number _____

Work Done	Remarks	Date	Name

Notes