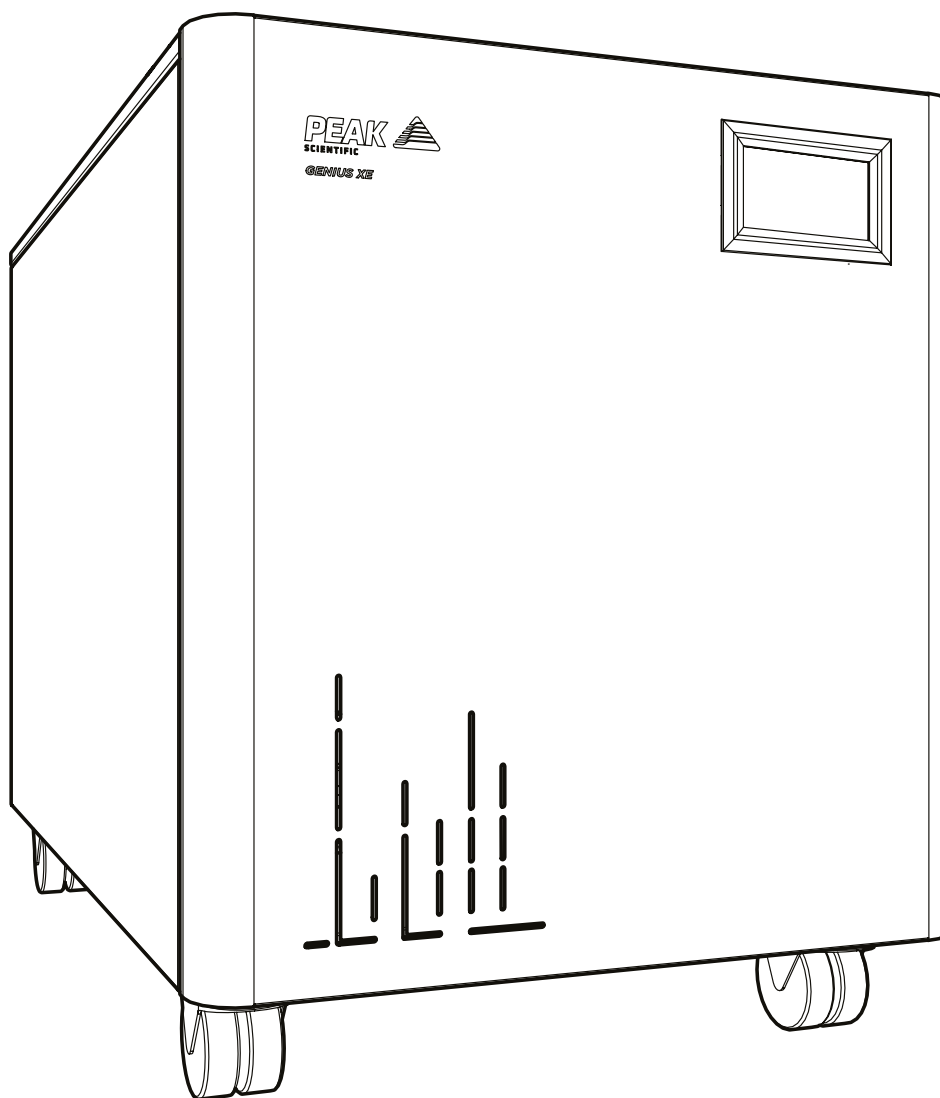


Genius XE SMZ

Installation Guide



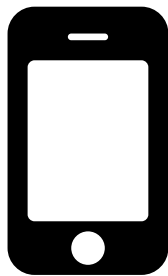
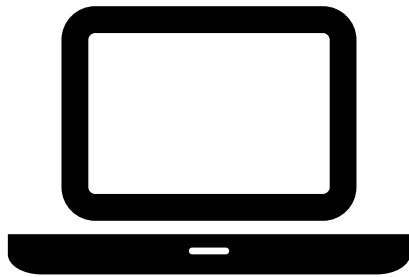
Register product to operate at
www.peakscientific.com/activate



Register Product to Operate

To begin operation of your unit you will need to register your generator. You can do so by **visiting www.peakscientific.com/activate** or by **downloading the Peak Genius App**.

Registering will activate your **2 year warranty*** - covering every single component in your generator.



Important!

You must register your generator before nitrogen generation can commence. In order to be eligible for warranty your generator must be registered to the end user (not a reseller or distributor) and must have a paid annual preventative maintenance arranged within 12 months of the installation date & carried out by a Peak approved Field Service Engineer. Once registered the warranty will be honoured for a period of 24 months.**

* 2nd year warranty subject to completion of preventative maintenance visit arranged within 12 months of installation. For terms and conditions please visit www.peakscientific.com/warranty-statement/

** Call out and labour charges may apply where generator was not purchased directly from Peak

Change History

Rev	Comment	Name	Date

How to use this Installation Guide

This document is intended to be used only as a Quick Start Guide, to facilitate safe and correct installation and initial configuration of your Peak Scientific gas generator.

For more extensive user operation directions, we recommend you download the User Manual from the website.

Please visit www.peakscientific.com/downloads to download the full User Manual for your gas generator.




Thank you for selecting Peak Scientific to meet your laboratory gas generation needs, and should you require any further assistance or support please do not hesitate to contact Peak Scientific or Peak Partner from which you purchased your generator.

Safety Notices

Peak Scientific Instruments cannot anticipate every possible circumstance which may represent a potential hazard. The warnings detailed within this document detail the most known potential hazards, but by definition cannot be all inclusive. If the user employs an operating procedure, item of equipment or a method of working which is not specifically recommended by Peak Scientific, the user must ensure that the equipment will not be damaged or become hazardous to persons or property.

Symbols

This document uses the following symbols to highlight specific areas important to the safe and proper use of the Generator

 WARNING	A WARNING notice denotes a hazard. It calls attention to an operating procedure, process or similar, which if not correctly performed or adhered to, could cause personal injury or in the worst case death. Do not proceed beyond a WARNING notice until the indicated conditions are fully understood or met.
 CAUTION	A CAUTION notice denotes a hazard. It calls attention to an operating procedure, process or similar, which if not correctly performed or adhered to, could cause damage to the Generator or the Application. Do not proceed beyond a CAUTION notice until the indicated conditions are fully understood or met.
	Caution, risk of electric shock. Ensure power to the Generator has been removed before proceeding.

Safety Notice to Users



These instructions must be read thoroughly and understood before installation and operation of your Peak Generator. Use of the generator in a manner not specified by Peak Scientific MAY impair the SAFETY provided by the equipment.

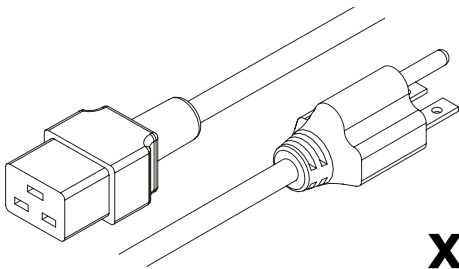


When handling, operating or carrying out any maintenance, personnel must employ safe engineering practices and observe all relevant local health and safety requirements and regulations. The attention of UK users is drawn to the Health and Safety at Work Act 1974, and the Institute of Electrical Engineers regulations.



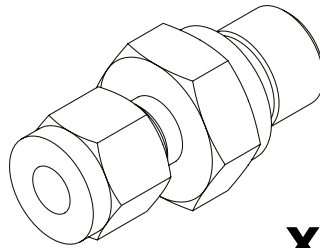
If the equipment is used in a manner not specified by the manufacturer, the protection provided by the equipment may be impaired.

Fittings Kit



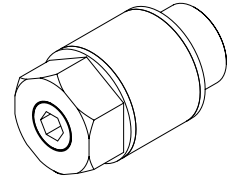
x1

US Mains Cable C19 6-15 04-1024



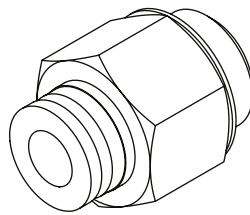
x2

1/4" Compression Fitting
02-4421



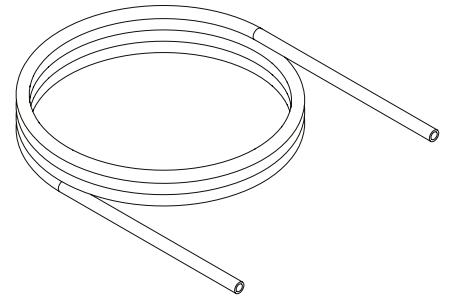
x2

Flow Control Silencer 02-1096



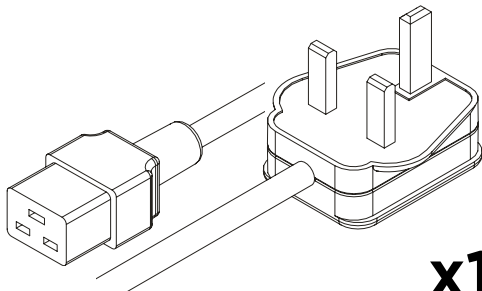
x3

1/4" - 6mm Push Fit Fitting
02-4600



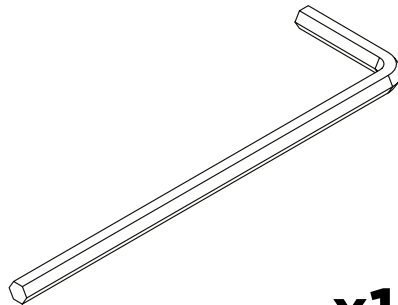
3x3m

1/4" Teflon Tubing 00-1266



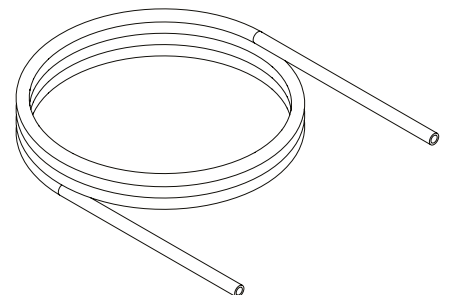
x1

UK Mains Cable C19 04-1025



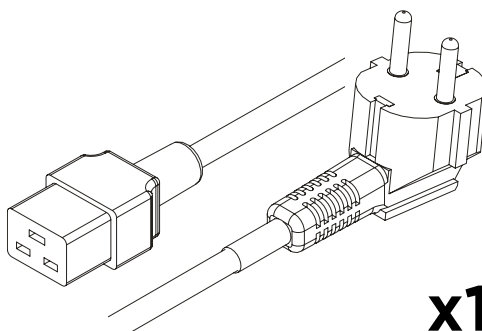
x1

4mm Hex Key 3300407



3x3m

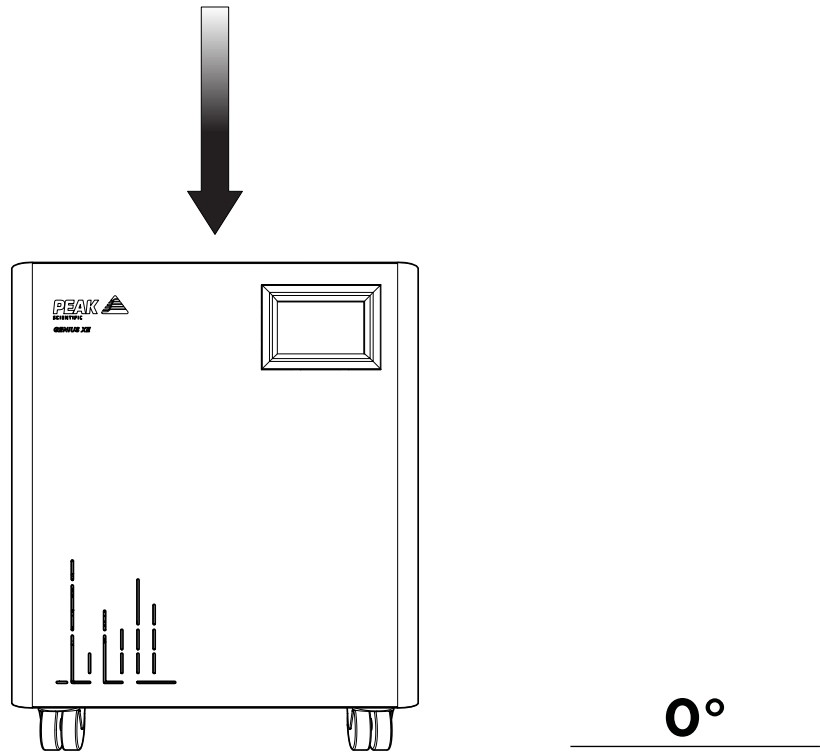
6mm OD x 4mm ID PE 00-1282



x1

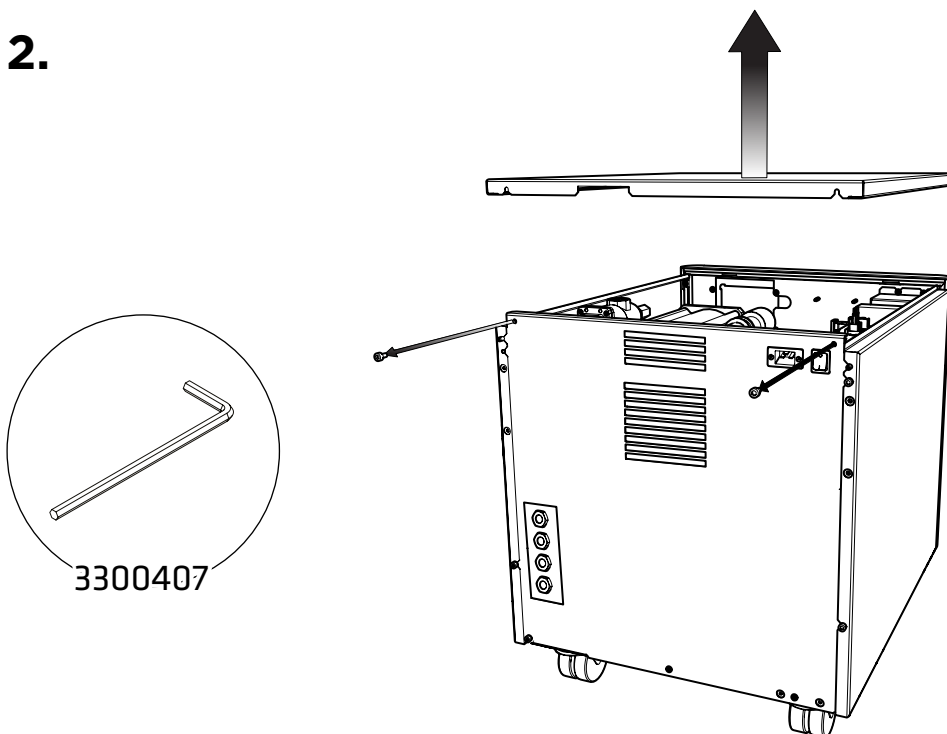
EU Mains Cable C19 04-1026

1.



Unpack the generator from the shipping crate and position on a flat surface, in desired area.

2.

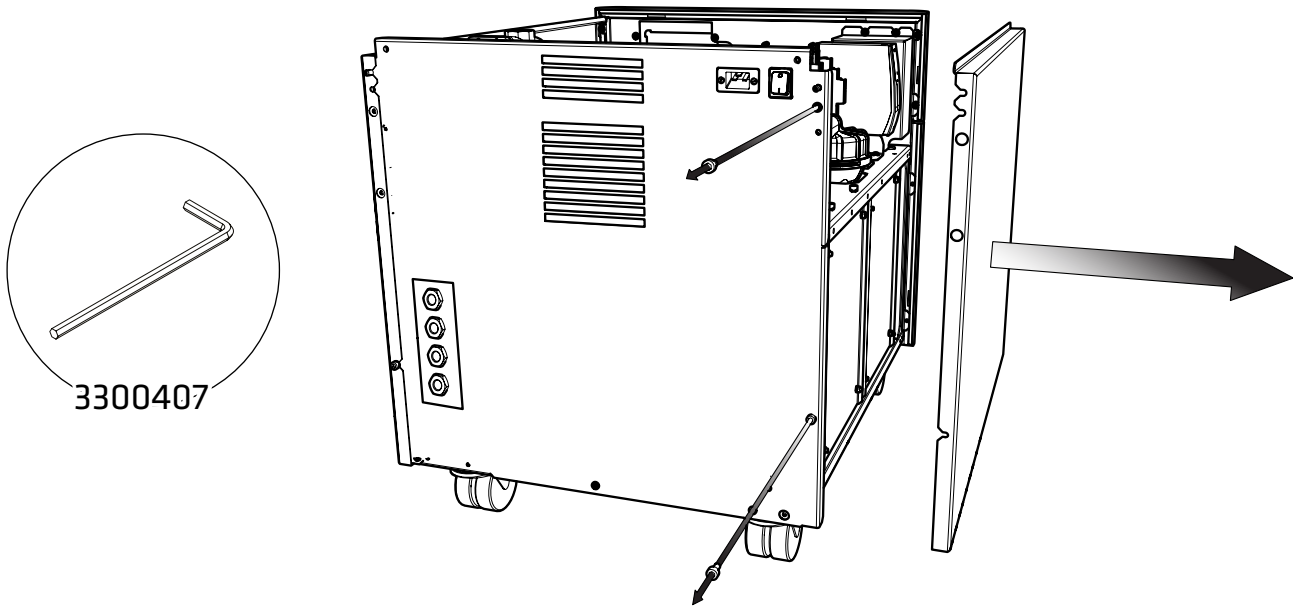


First **remove the compressor transit brackets**.

These can be accessed by removing the generator's right-hand side and top panels.

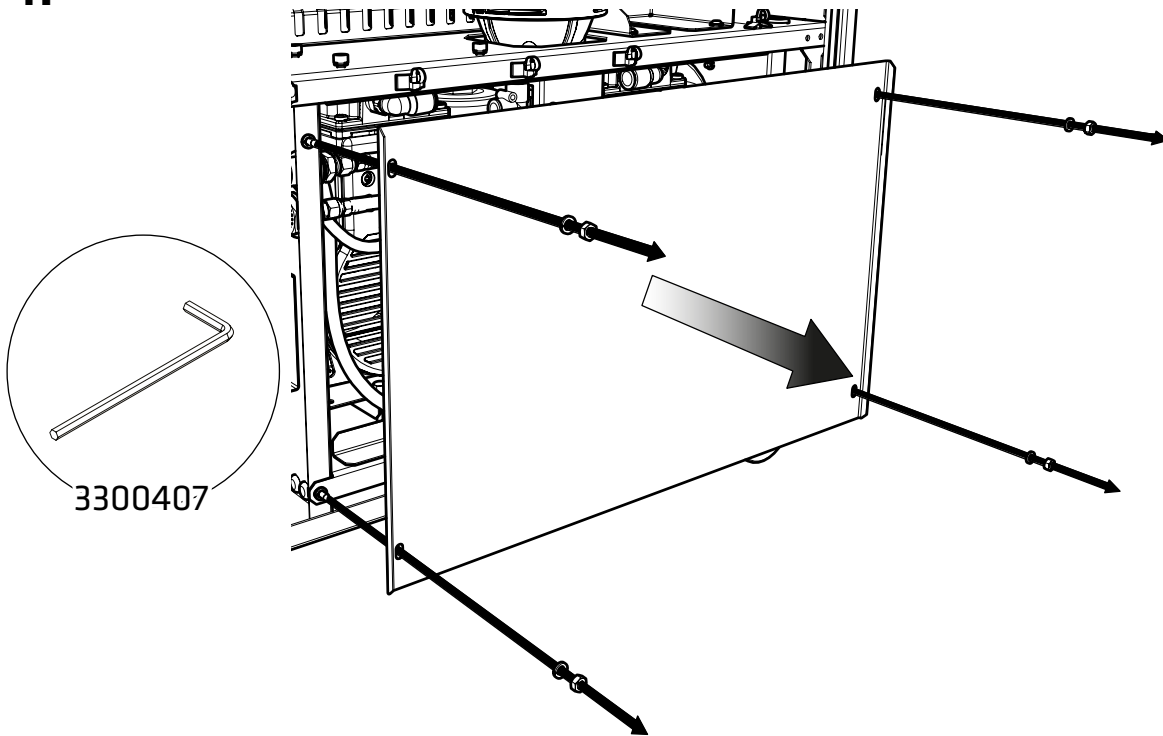
Starting with the top panel, use the **4mm Hex Key 3300407** to loosen the **two cap screws** fixing the top plate to the rear of the generator, then **tilt up and slide backwards to release the top plate** from the generator.

3.



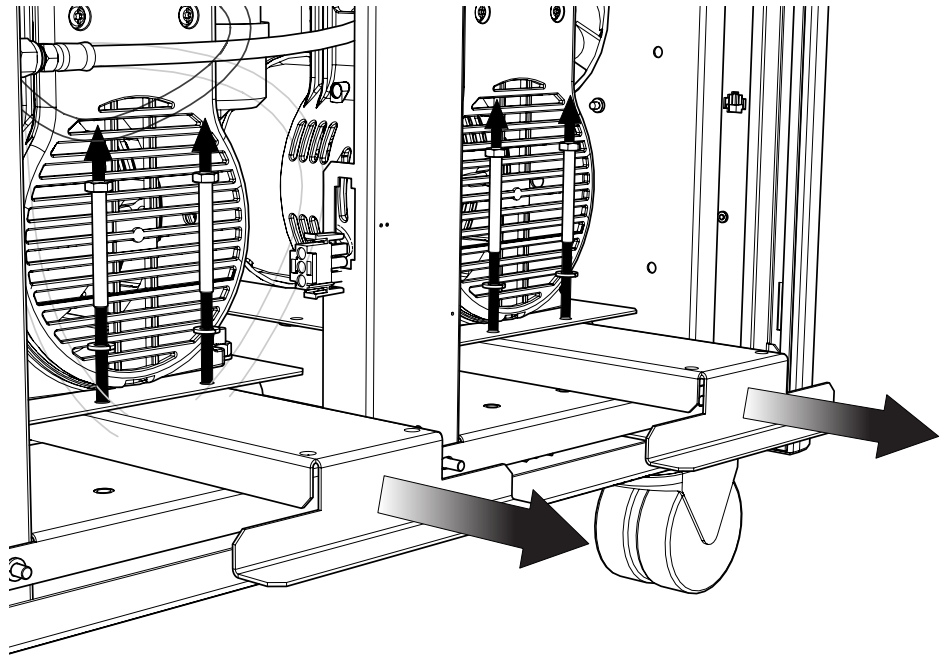
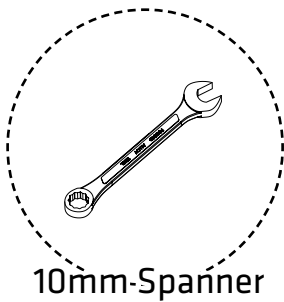
Once the top plate has been removed, use the **4mm Hex Key 3300407** to loosen the **two cap screws** fixing the right-hand side panel to the rear of the generator, then **tilt outwards and slide backwards to release the side plate from the generator.**

4.



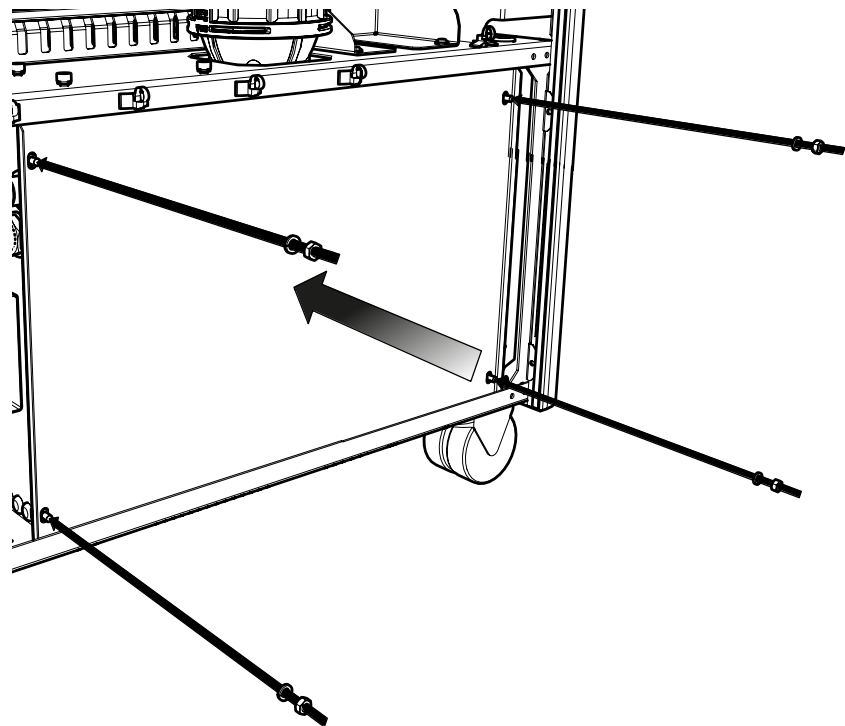
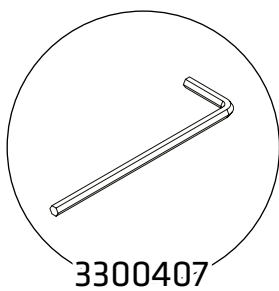
With the right-hand side plate removed, use the **4mm Hex Key 3300407** to **remove the hex bolts** holding the compressor door in place, taking care to **retain the spring washers.**

5.



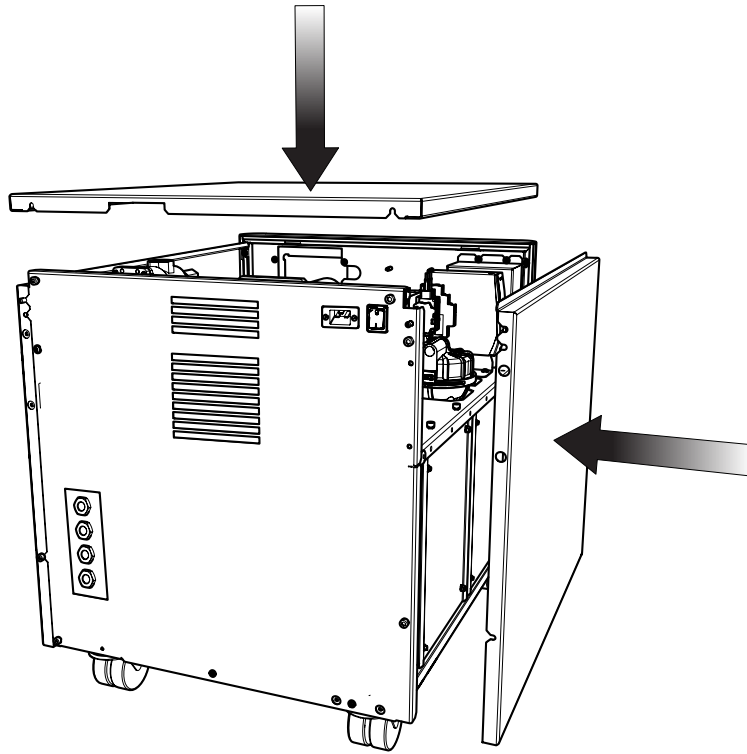
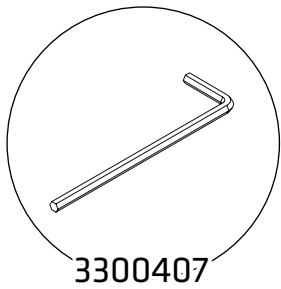
The transit brackets are located below the compressors and have stickers on them stating 'Remove before use'. To **remove the transit brackets**, use a **10mm spanner** to **remove the two screws on each bracket** as indicated, then **slide the brackets out** from underneath the compressors. **There are three brackets in total. Please retain the brackets and screws for future transportation.**

6.



Replace the compressor doors, again using the **4mm Hex Key 3300407**.

7.

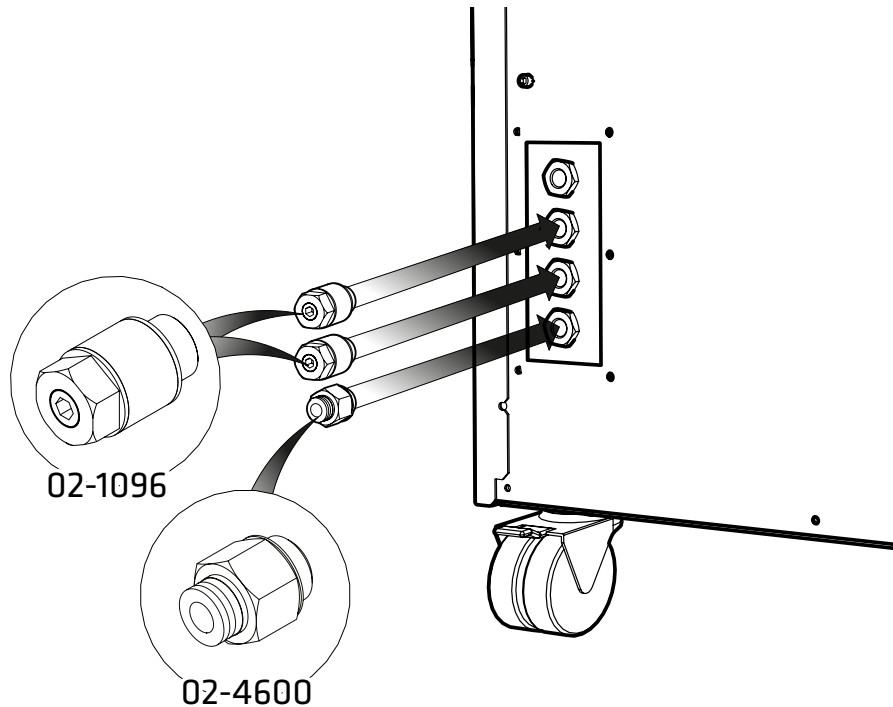


Reattach the **right hand side** and **top** panel to the generator



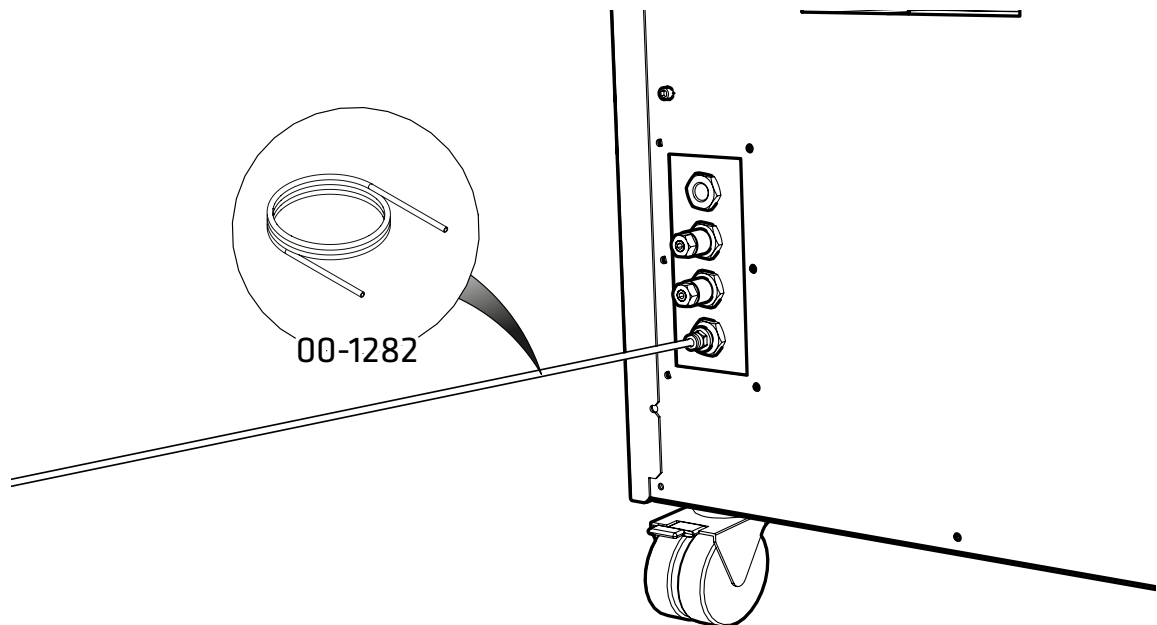
Ensure all screws are firmly tightened

8.



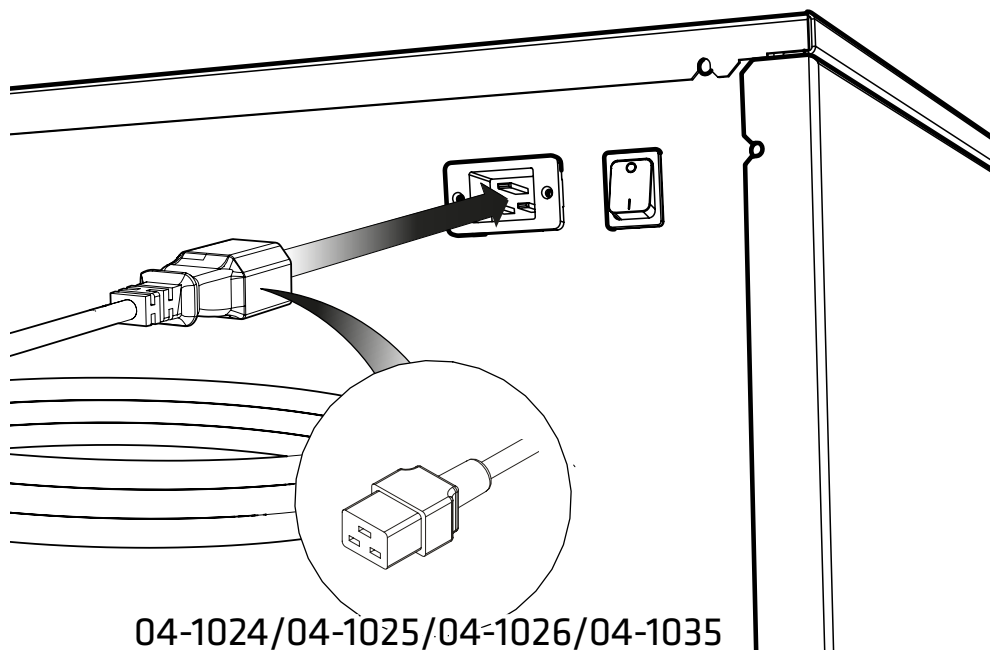
Select the 6mm Push Fit Fitting 02-4600 and attach to the **Drain port** at the rear of the generator. **Attach the Flow Control Silencer 02-1096** to the **Nitrogen and Air ports**.

9.



Connect the **6mm Polyethylene Tubing 00-1282** to the **6mm Push Fit Fitting 02-4600**. Fit the other end of the tubing to a suitable drain connection or container. The container **MUST NOT** have an airtight seal as water and air will be expelled periodically under a slight pressure.

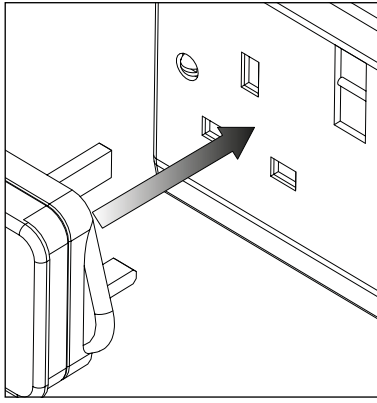
10.



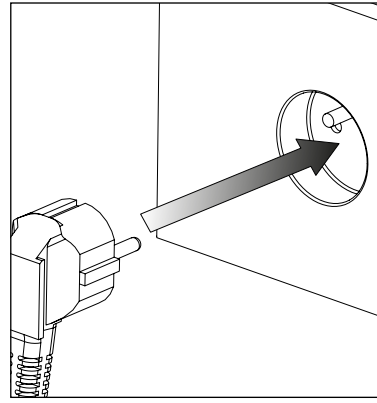
Select the appropriate power cable from the fittings kit and **plug the IEC 60320/C19 cable into the power input** at the rear of the generator.

11.

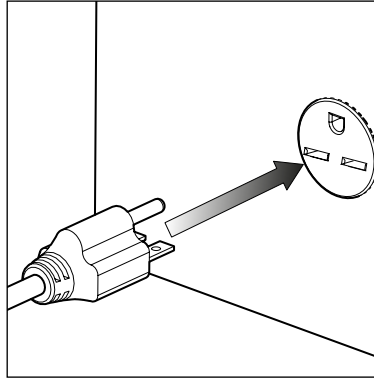
UK



EU



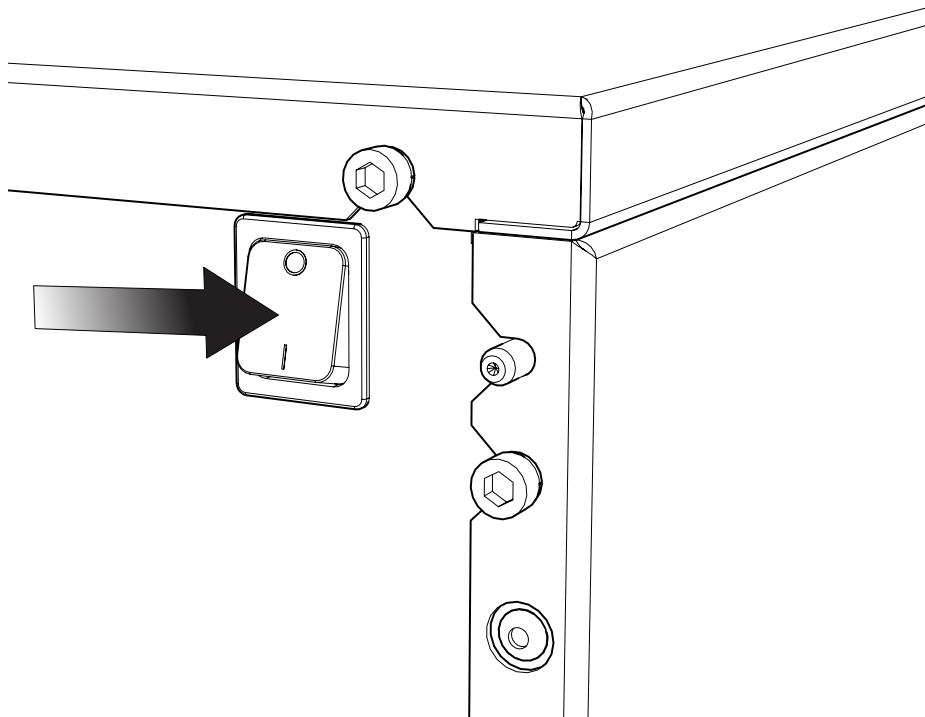
US
230V



Plug the mains cable into the corresponding **230VAC 50/60Hz** single phase power supply.

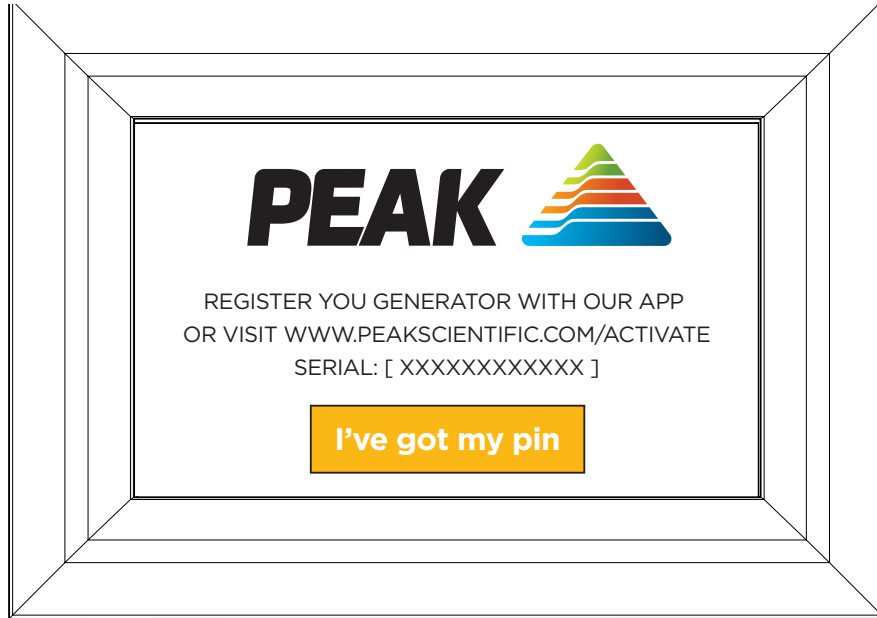
CAUTION ensure the correct cable has been selected for your electrical supply. Consult the **Electrical Requirements** section if you are unsure of the requirements of your generator.

12.



Switch the generator ON using the switch on the rear panel

13.



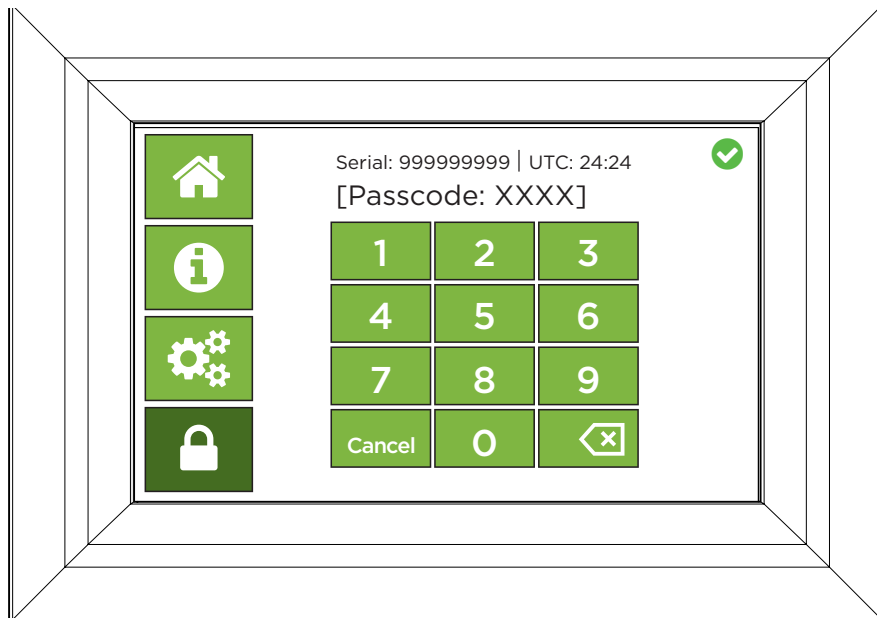
Before the generator will start-up for the first time the **user must enter a unique 4-digit PIN code.**

To receive your generator's unique PIN code, please register on the Peak website **www.peakscientific.com/activate** or **by downloading the Peak mobile app** from the Google Play Store or Apple App Store. A PIN code may also be requested by phoning the Peak helpdesk.

You will require the generator serial number which is displayed on the screen below.

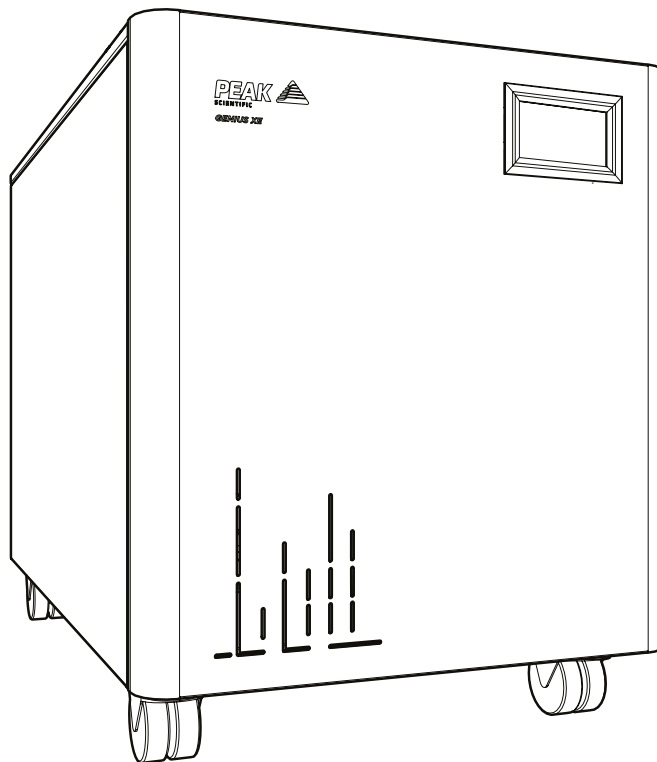
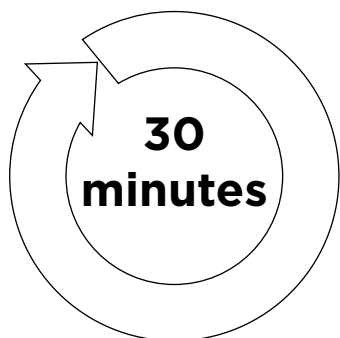
This code is only required on the initial start-up of the unit on the screen on the front of the generator.

14.



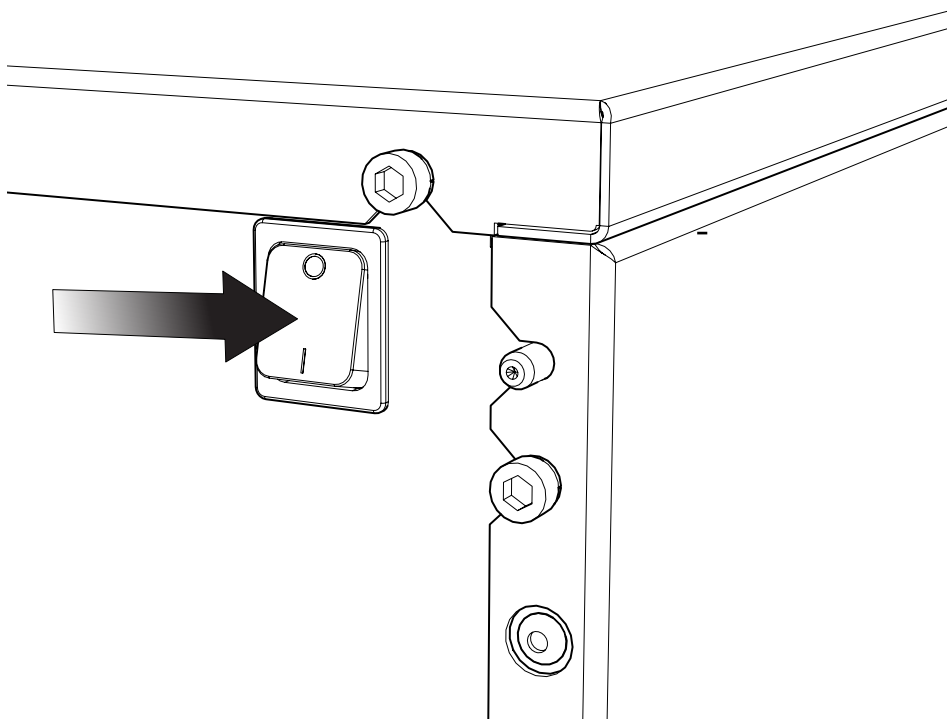
Enter your PIN. If entered incorrectly the screen will briefly display a wrong pass code warning before allowing a new PIN entry attempt.

15.



Leave the generator **switched on** for a period of **30 minutes** to purge the system.

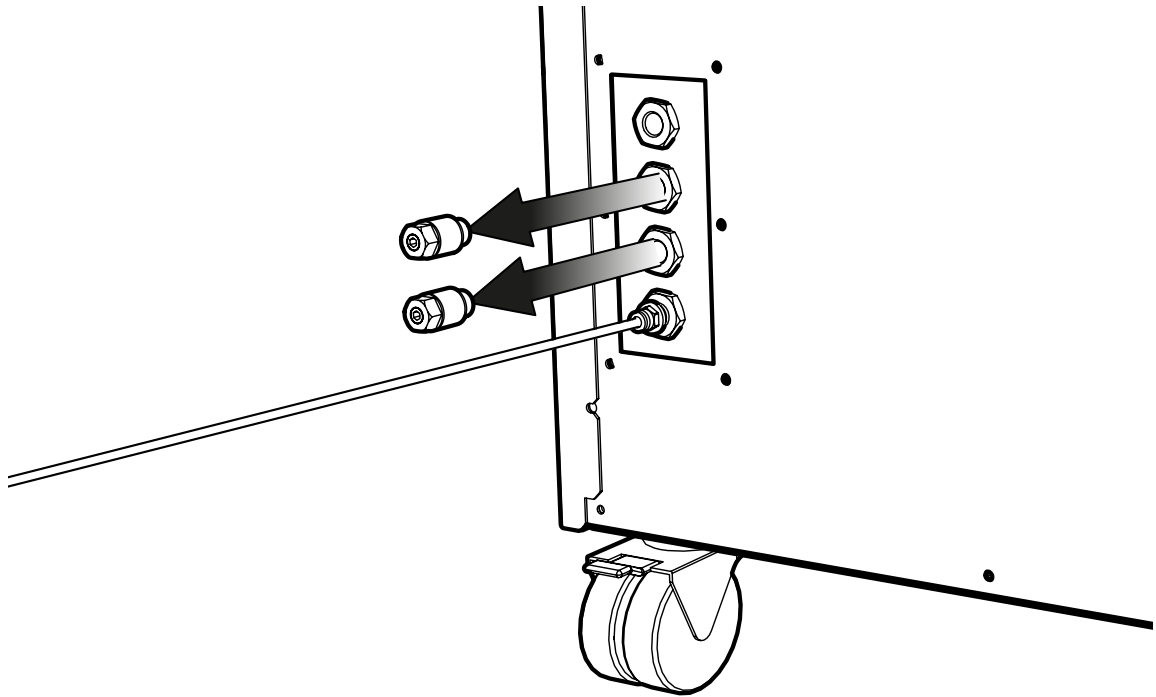
16.



After 30 minutes of running, the generator can be turned **OFF**.

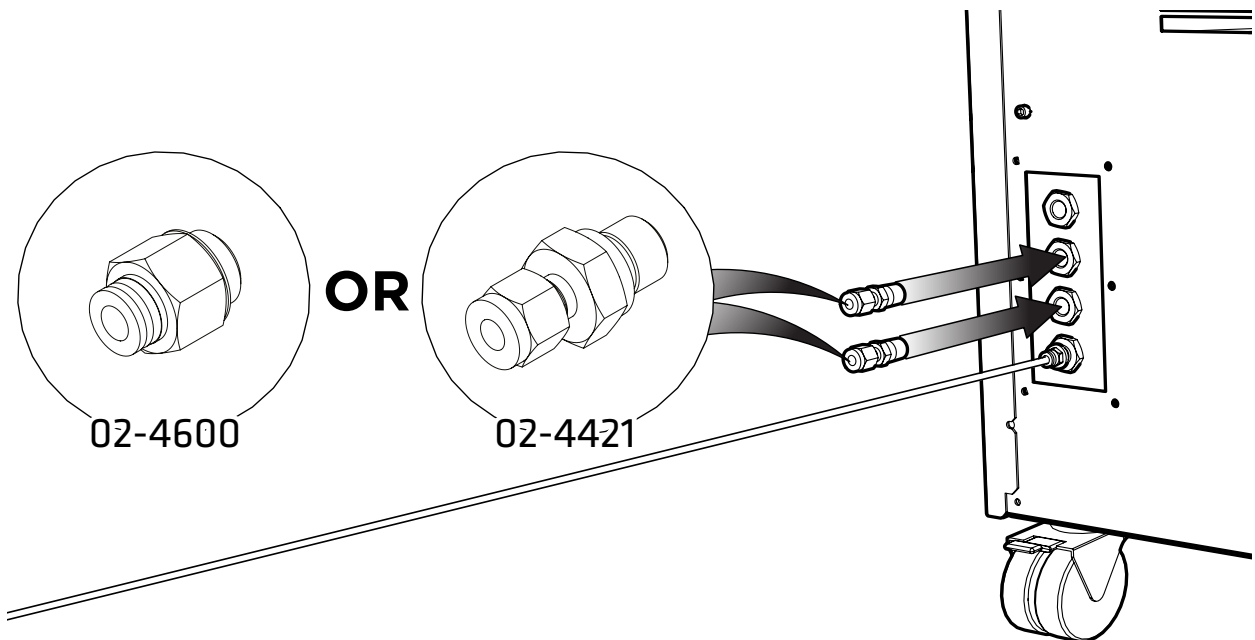
Allow the stored gas in the internal tanks to dissipate.

17.



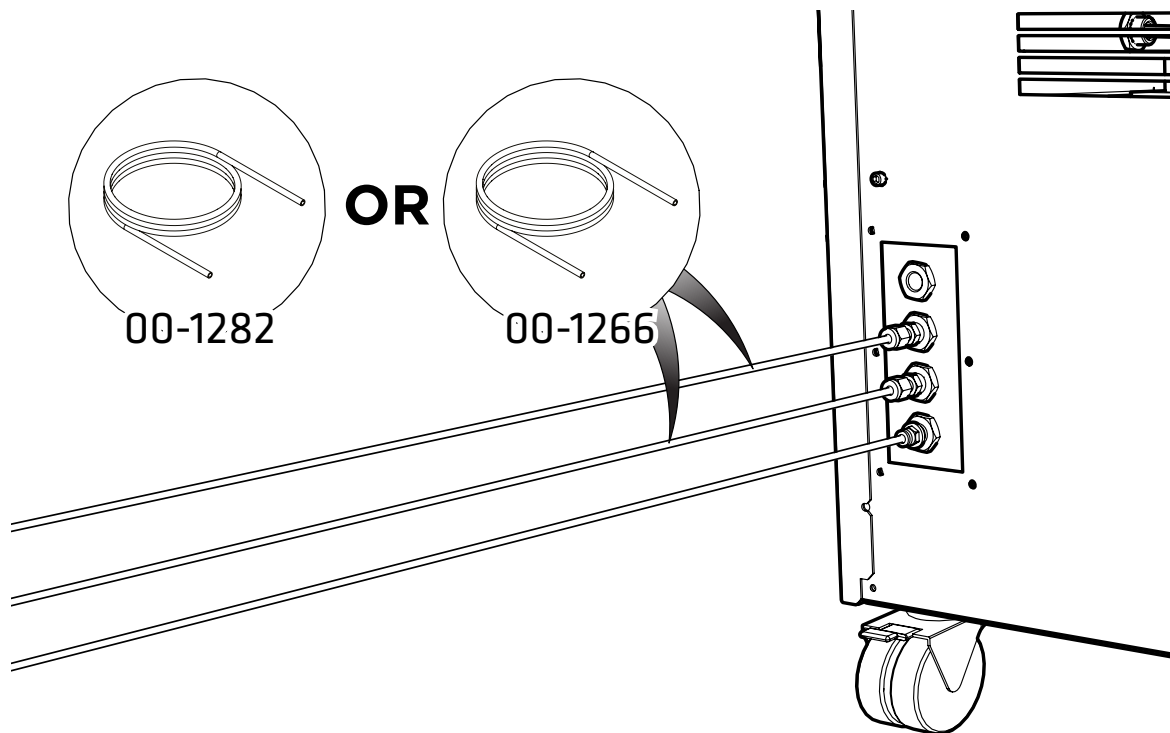
Once the pressure has dissipated the **silencer fittings** can be removed from the **Nitrogen and Air ports**.

18.



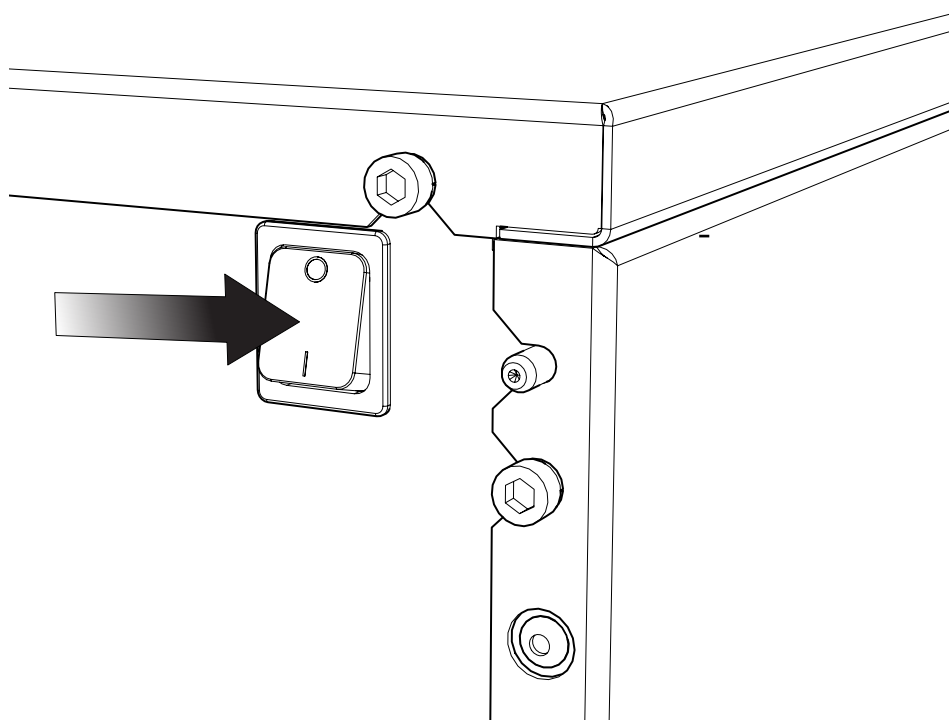
Depending on the size of the inlet on the instrument, select either the 1/4" **Compression Fitting 02-4421** or the remaining 1/4"- 6mm **Push Fit Fittings 02-4600** and connect these to the **Nitrogen and Air ports**.

19.



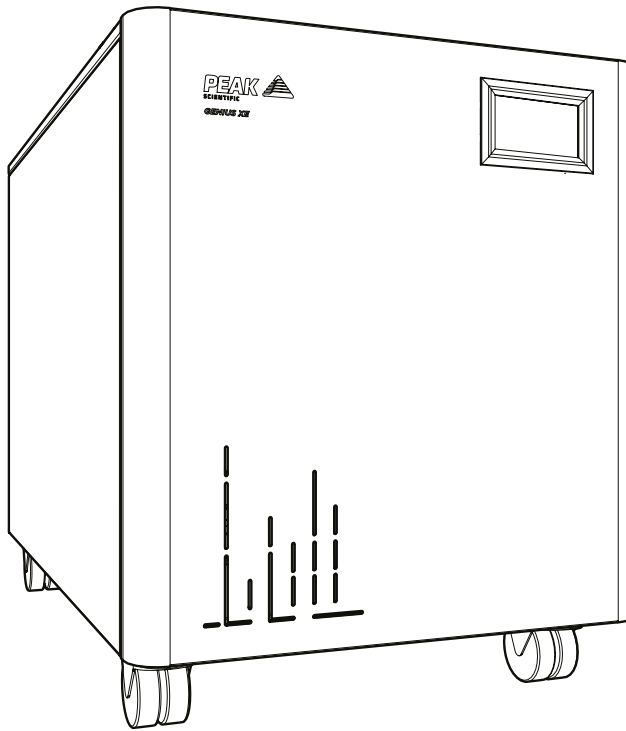
Attach the appropriate sized **tubing** to the fitting attached to the **Nitrogen and Air ports** and connect the other end to the **gas inlet of your instrument**.

20.



Switch the generator ON using the switch on the rear panel

210.



CONGRATULATIONS

Your **Peak Scientific** gas generator is now fully installed, operational and ready to supply gas on demand to your instrument.

General Notes

1. Electrical requirements are 220 - 240v $\pm 10\%$. Running at voltages outwith this is not recommended. Extended periods at extremes can have a detrimental effect on the operation and life of the Generator.
2. The Teflon tube supplied in the fittings kit is to allow the generator to be installed adjacent to the instrument it is supplying. If the generator is to be installed further away from the instrument then attention needs to be paid to pressure drops that could occur. The maximum distance away from the instrument the generator can be placed still using 6mm (4mm internal diameter) or $\frac{1}{4}$ " (3/16" internal diameter) tubing is 10m. For further information relating to tubing lengths please refer to the user manual.

Please familiarise yourself with the full **User Manual** available at **www.peakscientific.com/downloads**. This includes all other technical specifications, operating instructions, service requirements, contact details and trouble shooting.

Please visit www.peakscientific.com/downloads to download the full User Manual for your gas generator.

[**PEAK Protected**][™]

Peak Scientific has highly trained, fully certified Field Service Engineers located in over 20 countries across every continent around the world. This allows us to provide an industry-leading rapid response service to our customers. With [**Peak Protected**], your laboratory's productivity becomes our top priority.

To discuss Peak Protected generator cover and payment options speak to your local Peak Representative or for further information contact: protected@peakscientific.com.

Peak Scientific

Fountain Crescent
Inchinnan Business Park
Inchinnan
PA4 9RE
Scotland, UK

Tel: +44 141 812 8100

Fax: +44 141 812 8200

For further information on any of our generator products please contact marketing@peakscientific.com